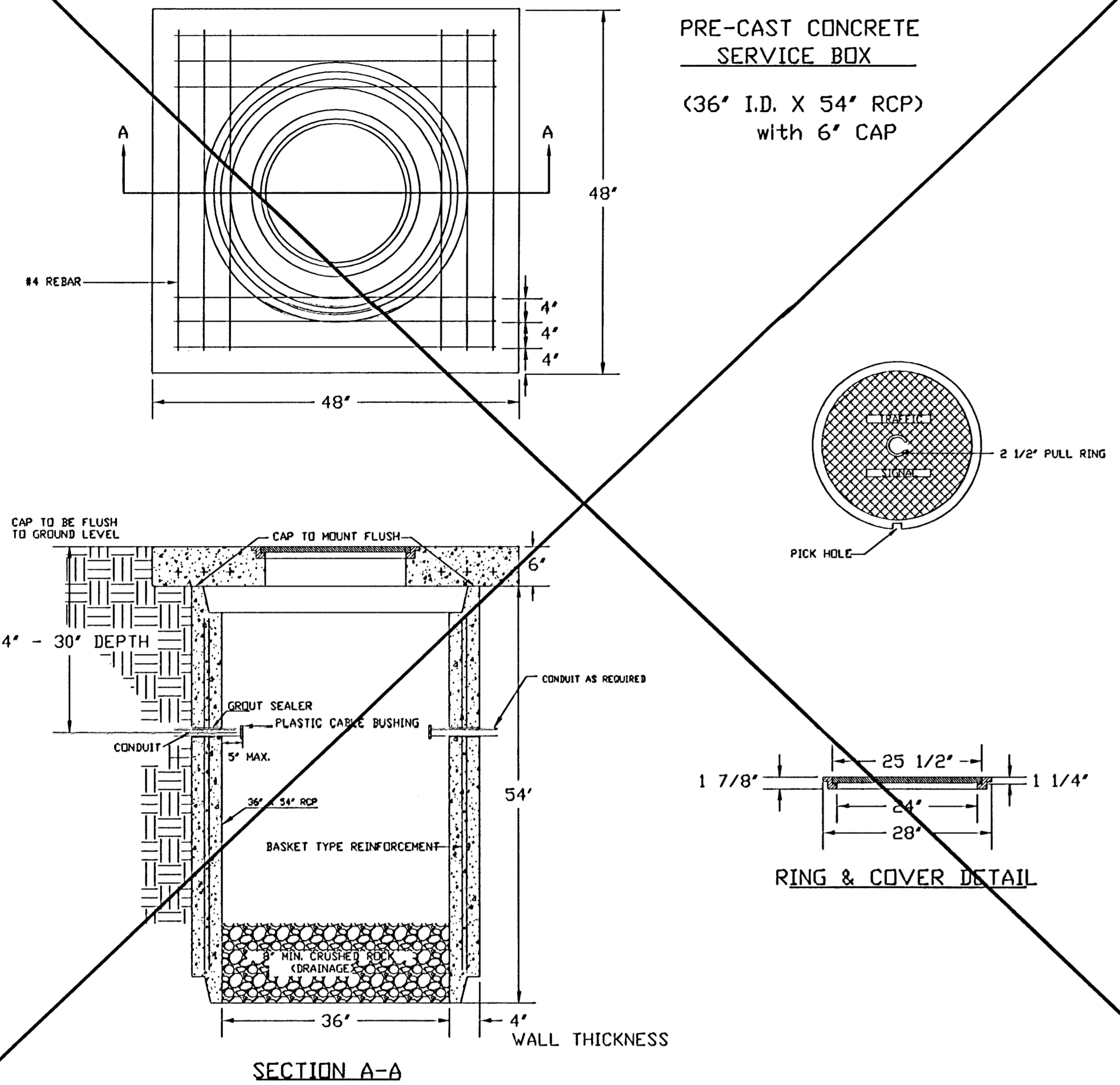
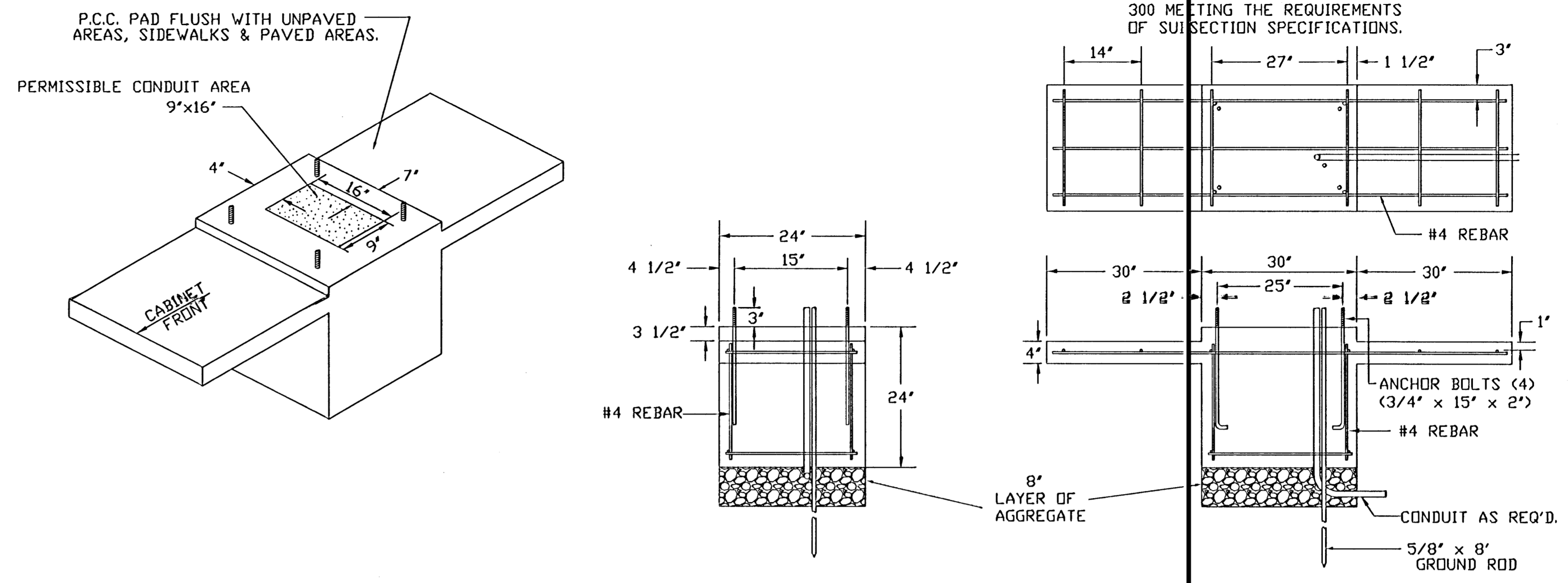


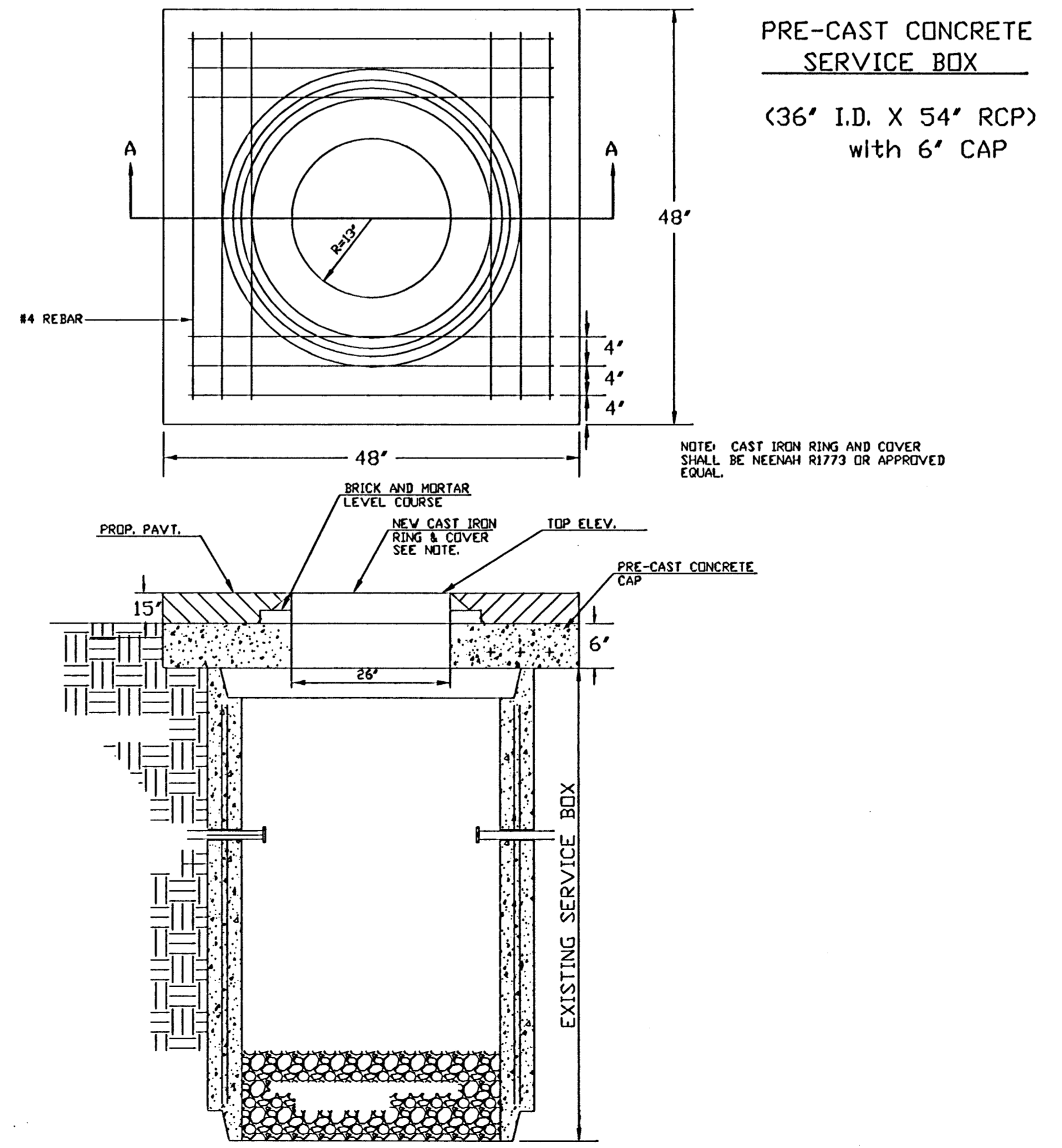
SERVICE BOX CONSTRUCTION/INSTALLATION DETAILS



170 CONTROLLER PAD DETAILS



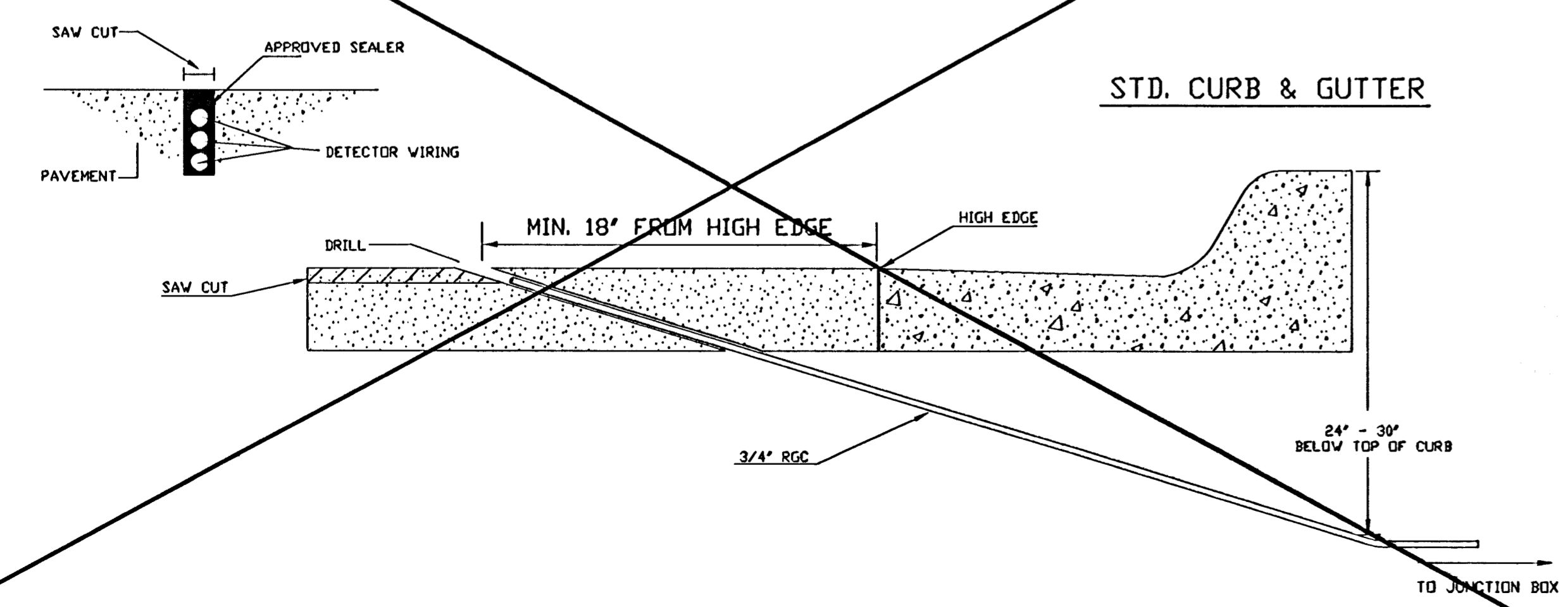
SPECIAL SERVICE BOX CONSTRUCTION/INSTALLATION DETAILS



NOTES:

- SERVICE & JUNCTION BOX:
- CONDUIT CONNECTION TO BE FLUSH TO WITHIN 5" OF INSIDE FACE OF SIDE WALL, CONDUIT TO DRAIN INTO SERVICE BOX.
 - CONDUIT CONNECTIONS TO SERVICE BOX SHALL BE TERMINATED WITH PLASTIC CABLE BUSHING.
 - CONDUIT SHALL BE SEALED WITH APPROVED SEALER AT INSIDE WALL FACE.
 - ALL SERVICE & JUNCTION BOXES TO HAVE 8" OF CRUSHED ROCK.
- TRENCHING:
- DEPTH TO BE 30" MINIMUM WITH ROCK & STUBBLE FREE BACKFILL TO SERVE AS BEDDING MATERIAL. MAINTAIN MINIMUM CONDUIT DEPTH IN TRENCH.
 - BACKFILL TO BE COMPACTED IN 6" LOOSE LIFTS BY HAND OR MECHANICAL TAMPING TO A 95% STANDARD DENSITY.
- CONDUIT:
- SLOPE CONDUIT TO DRAIN AS DIRECTED BY THE ENGINEER.
 - 3" RIGID STEEL CONDUIT BTWN. SERVICE BOXES.
1 1/4" BTWN. SERVICE & JUNCTION BOXES.
3/4" BTWN. JUNCTION BOXES.
3/4" BTWN. JUNCTION BOX & DETECTOR LOOP SAW CUT

CONDUIT/DETECTOR WIRE INSTALLATION DETAILS



SERVICE/JUNCTION BOX, CONTROLLER PAD CONSTRUCTION/INSTALLATION DETAILS

OAK CREEK - PHASE 1
21ST ST. W. OCCUL LANE

SERVICE/JUNCTION BOX, CONTROLLER PAD CONSTRUCTION/INSTALLATION DETAILS

PROJECT NUMBER: 472-84206

DESIGNED BY: T.M.	APPROVED BY:	REVISION BY: T.M.
DATE: MAY 97	DATE: MAY 97	DATE: MAY 97

DIVISION OF TRAFFIC ENGINEERING TRAFFIC ENGINEER SCALE: NO SCALE

Scale: 0/8" = 1'-0" 1/32" = 1" 1/16" = 2" 1/8" = 4" 1/4" = 8" 1/2" = 16" 3/4" = 24" 1" = 32" 1 1/2" = 48" 2" = 64" 3" = 96" 4" = 128" 6" = 192" 8" = 256" 12" = 384" 18" = 576" 24" = 768" 36" = 1152" 48" = 1536" 60" = 1920" 72" = 2304" 96" = 3072" 120" = 3936" 144" = 4800" 180" = 6144" 240" = 8192" 300" = 10240" 360" = 12288" 480" = 16384" 600" = 20480" 720" = 24576" 960" = 31104" 1200" = 39168" 1440" = 49152" 1800" = 62208" 2400" = 78272" 3000" = 98304" 3600" = 124320" 4800" = 159424" 6000" = 204528" 7200" = 259632" 9600" = 332800" 12000" = 423680" 14400" = 534624" 18000" = 686112" 24000" = 888000" 30000" = 1129920" 36000" = 1412400" 48000" = 1816320" 60000" = 2247600" 72000" = 2814000" 96000" = 3537280" 120000" = 4508160" 144000" = 5649600" 180000" = 7174080" 240000" = 9125760" 300000" = 11516160" 360000" = 14352000" 480000" = 18163200" 600000" = 22476000" 720000" = 28140000" 960000" = 35372800" 1200000" = 45081600" 1440000" = 56496000" 1800000" = 71740800" 2400000" = 91257600" 3000000" = 115161600" 3600000" = 143520000" 4800000" = 181632000" 6000000" = 224760000" 7200000" = 281400000" 9600000" = 353728000" 12000000" = 450816000" 14400000" = 564960000" 18000000" = 717408000" 24000000" = 912576000" 30000000" = 1151616000" 36000000" = 1435200000" 48000000" = 1816320000" 60000000" = 2247600000" 72000000" = 2814000000" 96000000" = 3537280000" 120000000" = 4508160000" 144000000" = 5649600000" 180000000" = 7174080000" 240000000" = 9125760000" 300000000" = 11516160000" 360000000" = 14352000000" 480000000" = 18163200000" 600000000" = 22476000000" 720000000" = 28140000000" 960000000" = 35372800000" 1200000000" = 45081600000" 1440000000" = 56496000000" 1800000000" = 71740800000" 2400000000" = 91257600000" 3000000000" = 115161600000" 3600000000" = 143520000000" 4800000000" = 181632000000" 6000000000" = 224760000000" 7200000000" = 281400000000" 9600000000" = 353728000000" 12000000000" = 450816000000" 14400000000" = 564960000000" 18000000000" = 717408000000" 24000000000" = 912576000000" 30000000000" = 1151616000000" 36000000000" = 1435200000000" 48000000000" = 1816320000000" 60000000000" = 2247600000000" 72000000000" = 2814000000000" 96000000000" = 3537280000000" 120000000000" = 4508160000000" 144000000000" = 5649600000000" 180000000000" = 7174080000000" 240000000000" = 9125760000000" 300000000000" = 11516160000000" 360000000000" = 14352000000000" 480000000000" = 18163200000000" 600000000000" = 22476000000000" 720000000000" = 28140000000000" 960000000000" = 35372800000000" 1200000000000" = 45081600000000" 1440000000000" = 56496000000000" 1800000000000" = 71740800000000" 2400000000000" = 91257600000000" 3000000000000" = 115161600000000" 3600000000000" = 143520000000000" 4800000000000" = 181632000000000" 6000000000000" = 224760000000000" 7200000000000" = 281400000000000" 9600000000000" = 353728000000000" 12000000000000" = 450816000000000" 14400000000000" = 564960000000000" 18000000000000" = 717408000000000" 24000000000000" = 912576000000000" 30000000000000" = 1151616000000000" 36000000000000" = 1435200000000000" 48000000000000" = 1816320000000000" 60000000000000" = 2247600000000000" 72000000000000" = 2814000000000000" 96000000000000" = 3537280000000000" 120000000000000" = 4508160000000000" 144000000000000" = 5649600000000000" 180000000000000" = 7174080000000000" 240000000000000" = 9125760000000000" 300000000000000" = 11516160000000000" 360000000000000" = 14352000000000000" 480000000000000" = 18163200000000000" 600000000000000" = 22476000000000000" 720000000000000" = 28140000000000000" 960000000000000" = 35372800000000000" 1200000000000000" = 45081600000000000" 1440000000000000" = 56496000000000000" 1800000000000000" = 71740800000000000" 2400000000000000" = 91257600000000000" 3000000000000000" = 115161600000000000" 3600000000000000" = 143520000000000000" 4800000000000000" = 181632000000000000" 6000000000000000" = 224760000000000000" 7200000000000000" = 281400000000000000" 9600000000000000" = 353728000000000000" 12000000000000000" = 450816000000000000" 14400000000000000" = 564960000000000000" 18000000000000000" = 717408000000000000" 24000000000000000" = 912576000000000000" 30000000000000000" = 1151616000000000000" 36000000000000000" = 1435200000000000000" 48000000000000000" = 1816320000000000000" 60000000000000000" = 2247600000000000000" 72000000000000000" = 2814000000000000000" 96000000000000000" = 3537280000000000000" 120000000000000000" = 4508160000000000000" 144000000000000000" = 5649600000000000000" 180000000000000000" = 7174080000000000000" 240000000000000000" = 9125760000000000000" 300000000000000000" = 11516160000000000000" 360000000000000000" = 14352000000000000000" 480000000000000000" = 18163200000000000000" 600000000000000000" = 22476000000000000000" 720000000000000000" = 28140000000000000000" 960000000000000000" = 35372800000000000000" 1200000000000000000" = 45081600000000000000" 1440000000000000000" = 56496000000000000000" 1800000000000000000" = 71740800000000000000" 2400000000000000000" = 91257600000000000000" 3000000000000000000" = 115161600000000000000" 3600000000000000000" = 143520000000000000000" 4800000000000000000" = 181632000000000000000" 6000000000000000000" = 224760000000000000000" 7200000000000000000" = 281400000000000000000" 9600000000000000000" = 353728000000000000000" 12000000000000000000" = 450816000000000000000" 14400000000000000000" = 564960000000000000000" 18000000000000000000" = 717408000000000000000" 24000000000000000000" = 912576000000000000000" 30000000000000000000" = 1151616000000000000000" 36000000000000000000" = 1435200000000000000000" 48000000000000000000" = 1816320000000000000000" 60000000000000000000" = 2247600000000000000000" 72000000000000000000" = 2814000000000000000000" 96000000000000000000" = 3537280000000000000000" 120000000000000000000" = 4508160000000000000000" 144000000000000000000" = 5649600000000000000000" 180000000000000000000" = 7174080000000000000000" 240000000000000000000" = 9125760000000000000000" 300000000000000000000" = 11516160000000000000000" 360000000000000000000" = 14352000000000000000000" 480000000000000000000" = 18163200000000000000000" 600000000000000000000" = 22476000000000000000000" 720000000000000000000" = 28140000000000000000000" 960000000000000000000" = 35372800000000000000000" 1200000000000000000000" = 45081600000000000000000" 1440000000000000000000" = 56496000000000000000000" 1800000000000000000000" = 71740800000000000000000" 2400000000000000000000" = 91257600000000000000000" 3000000000000000000000" = 115161600000000000000000" 3600000000000000000000" = 143520000000000000000000" 4800000000000000000000" = 181632000000000000000000" 6000000000000000000000" = 224760000000000000000000" 7200000000000000000000" = 281400000000000000000000" 9600000000000000000000" = 353728000000000000000000" 12000000000000000000000" = 450816000000000000000000" 14400000000000000000000" = 564960000000000000000000" 18000000000000000000000" = 717408000000000000000000" 24000000000000000000000" = 912576000000000000000000" 30000000000000000000000" = 1151616000000000000000000" 36000000000000000000000" = 1435200000000000000000000" 48000000000000000000000" = 1816320000000000000000000" 60000000000000000000000" = 2247600000000000000000000" 72000000000000000000000" = 2814000000000000000000000" 96000000000000000000000" = 3537280000000000000000000" 120000000000000000000000" = 4508160000000000000000000" 144000000000000000000000" = 5649600000000000000000000" 180000000000000000000000" = 7174080000000000000000000" 240000000000000000000000" = 9125760000000000000000000" 300000000000000000000000" = 11516160000000000000000000" 360000000000000000000000" = 14352000000000000000000000" 480000000000000000000000" = 18163200000000000000000000" 600000000000000000000000" = 22476000000000000000000000" 720000000000000000000000" = 28140000000000000000000000" 960000000000000000000000" = 35372800000000000000000000" 1200000000000000000000000" = 45081600000000000000000000" 1440000000000000000000000" = 56496000000000000000000000" 1800000000000000000000000" = 71740800000000000000000000" 2400000000000000000000000" = 91257600000000000000000000" 3000000000000000000000000" = 115161600000000000000000000" 3600000000000000000000000" = 143520000000000000000000000" 4800000000000000000000000" = 181632000000000000000000000" 6000000000000000000000000" = 224760000000000000000000000" 7200000000000000000000000" = 281400000000000000000000000" 9600000000000000000000000" = 353728000000000000000000000" 12000000000000000000000000" = 450816000000000000000000000" 14400000000000000000000000" = 564960000000000000000000000" 18000000000000000000000000" = 717408000000000000000000000" 24000000000000000000000000" = 912576000000000000000000000" 30000000000000000000000000" = 1151616000000000000000000000" 36000000000000000000000000" = 1435200000000000000000000000" 48000000000000000000000000" = 1816320000000000000000000000" 60000000000000000000000000" = 2247600000000000000000000000" 72000000000000000000000000" = 2814000000000000000000000000" 96000000000000000000000000" = 3537280000000000000000000000" 120000000000000000000000000" = 4508160000000000000000000000" 144000000000000000000000000" = 5649600000000000000000000000" 180000000000000000000000000" = 7174080000000000000000000000" 240000000000000000000000000" = 9125760000000000000000000000" 300000000000000000000000000" = 11516160000000000000000000000" 360000000000000000000000000" = 14352000000000000000000000000" 480000000000000000000000000" = 18163200000000000000000000000" 600000000000000000000000000" = 22476000000000000000000000000" 720000000000000000000000000" = 28140000000000000000000000000" 960000000000000000000000000" = 35372800000000000000000000000" 1200000000000000000000000000" = 45081600000000000000000000000" 1440000000000000000000000000" = 56496000000000000000000000000" 1800000000000000000000000000" = 71740800000000000000000000000" 2400000000000000000000000000" = 91257600000000000000000000000" 3000000000000000000000000000" = 115161600000000000000000000000" 3600000000000000000000000000" = 143520000000000000000000000000" 4800000000000000000000000000" = 181632000000000000000000000000" 6000000000000000000000000000" = 224760000000000000000000000000" 7200000000000000000000000000" = 281400000000000000000000000000" 9600000000000000000000000000" = 353728000000000000000000000000" 12000000000000000000000000000" = 450816000000000000000000000000" 14400000000000000000000000000" = 56