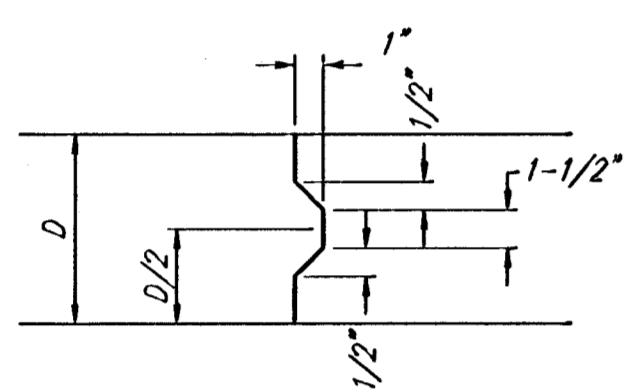
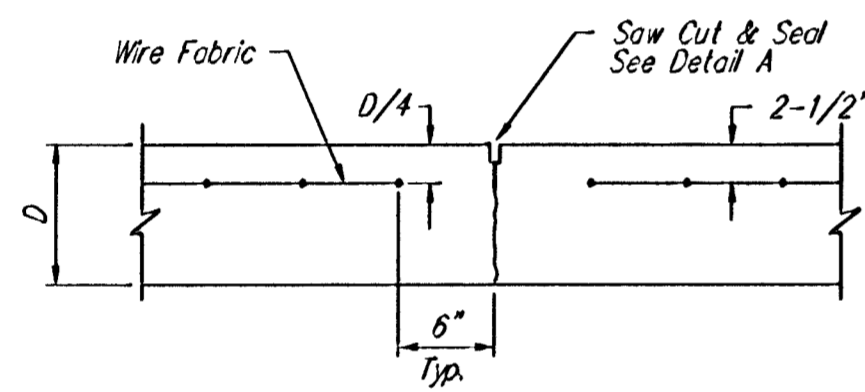


EXPANSION JOINT

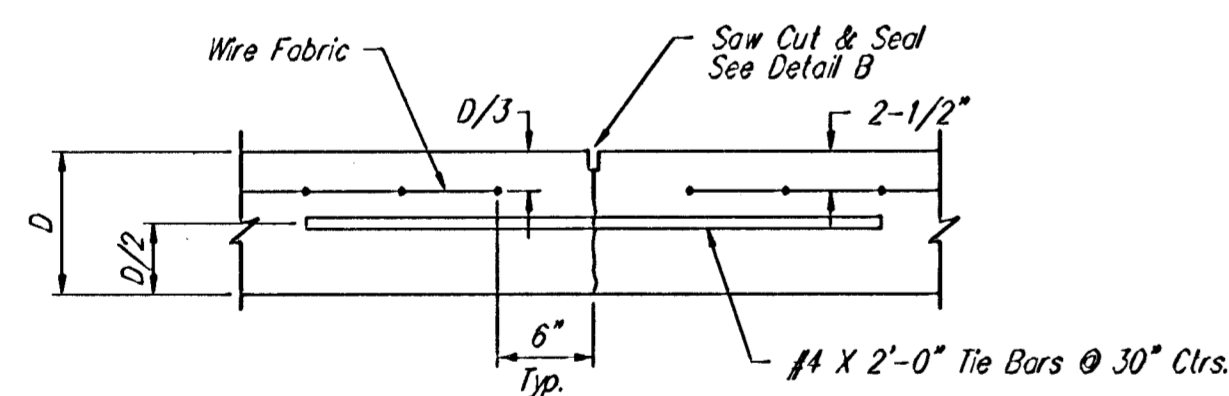
NOTE: Extra Thickness to be Subsidiary to Price of Square Yards Pavement



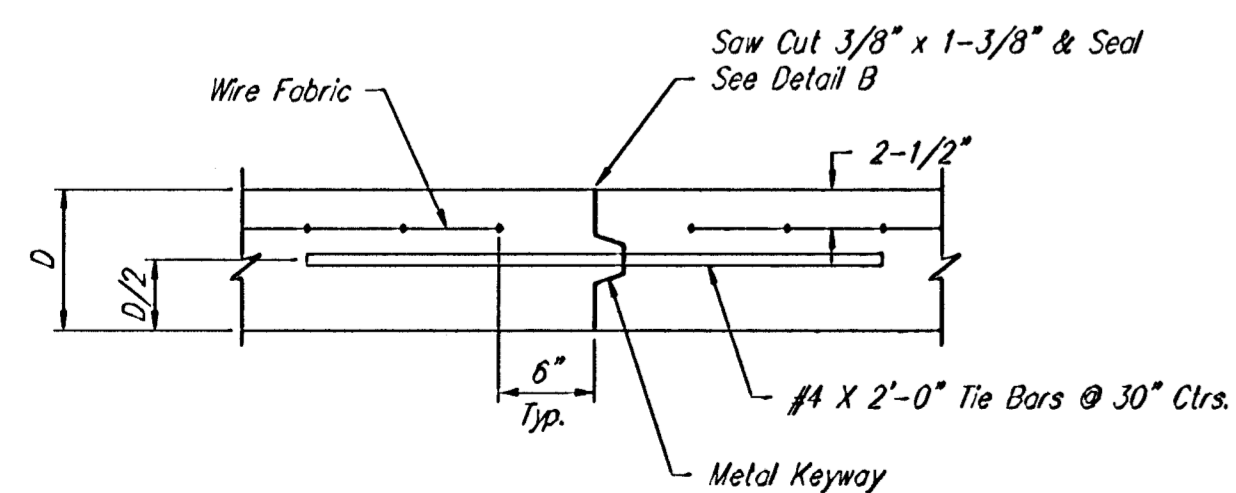
KEYWAY DETAIL



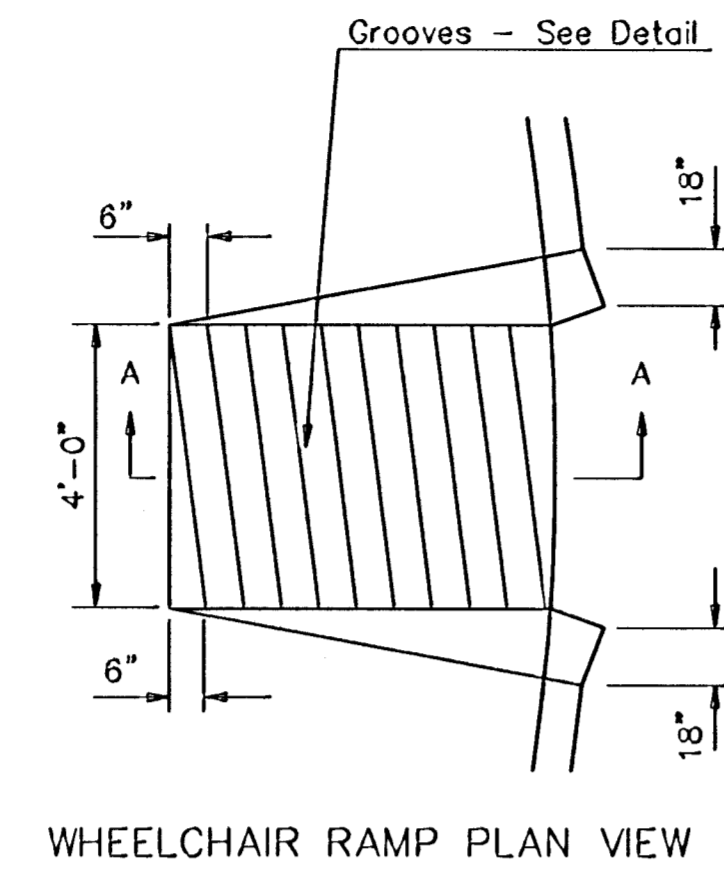
CONTRACTION JOINT DETAIL (C.J.)



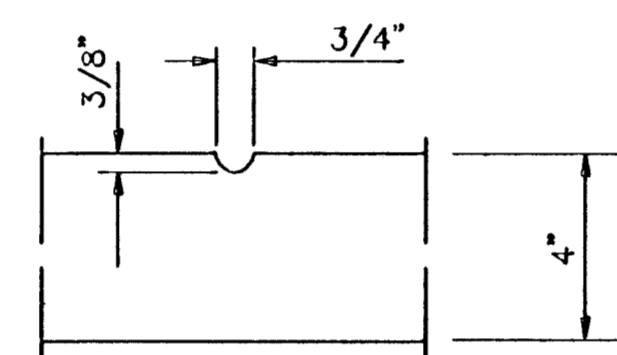
LONGITUDINAL JOINT DETAIL (L.J.)



OPTIONAL LONGITUDINAL JOINT DETAIL (L.J.) (CONSTRUCTION JOINT)

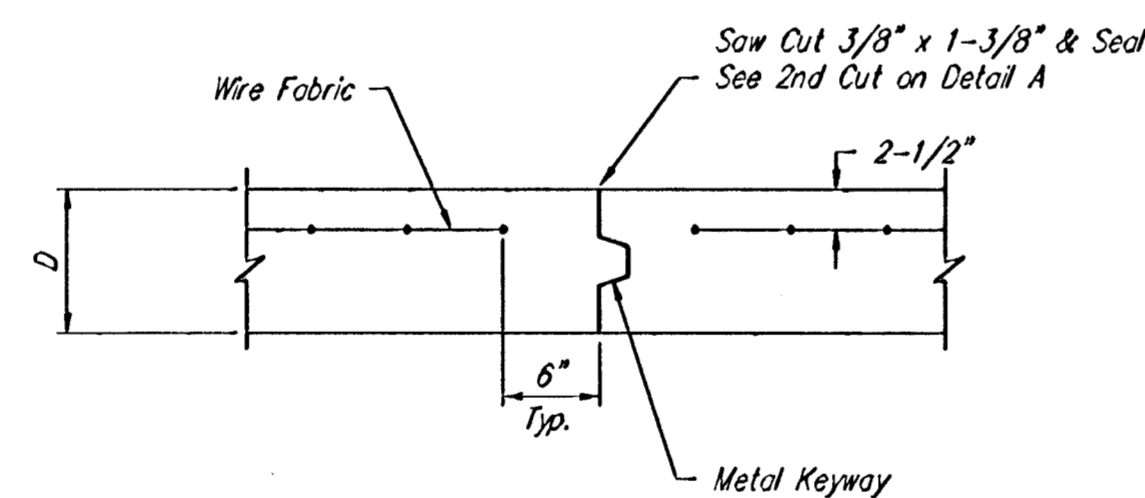


WHEELCHAIR RAMP PLAN VIEW

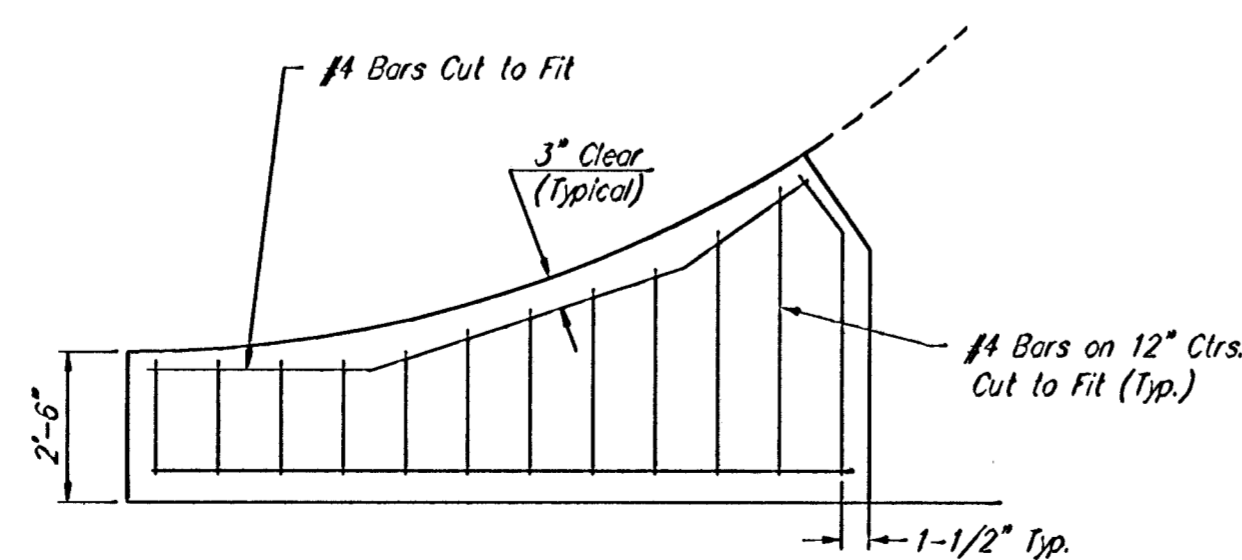


GROOVE DETAIL

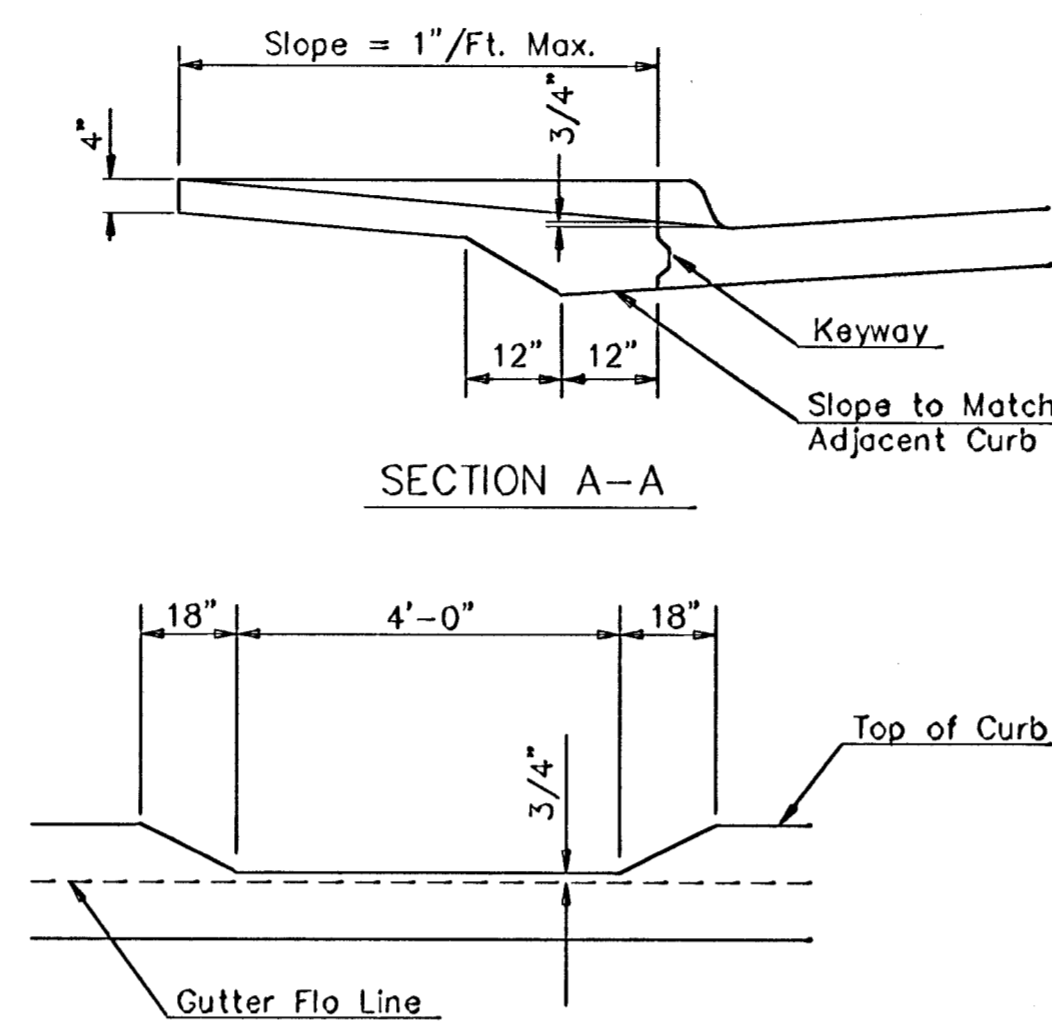
WHEELCHAIR RAMP DETAIL



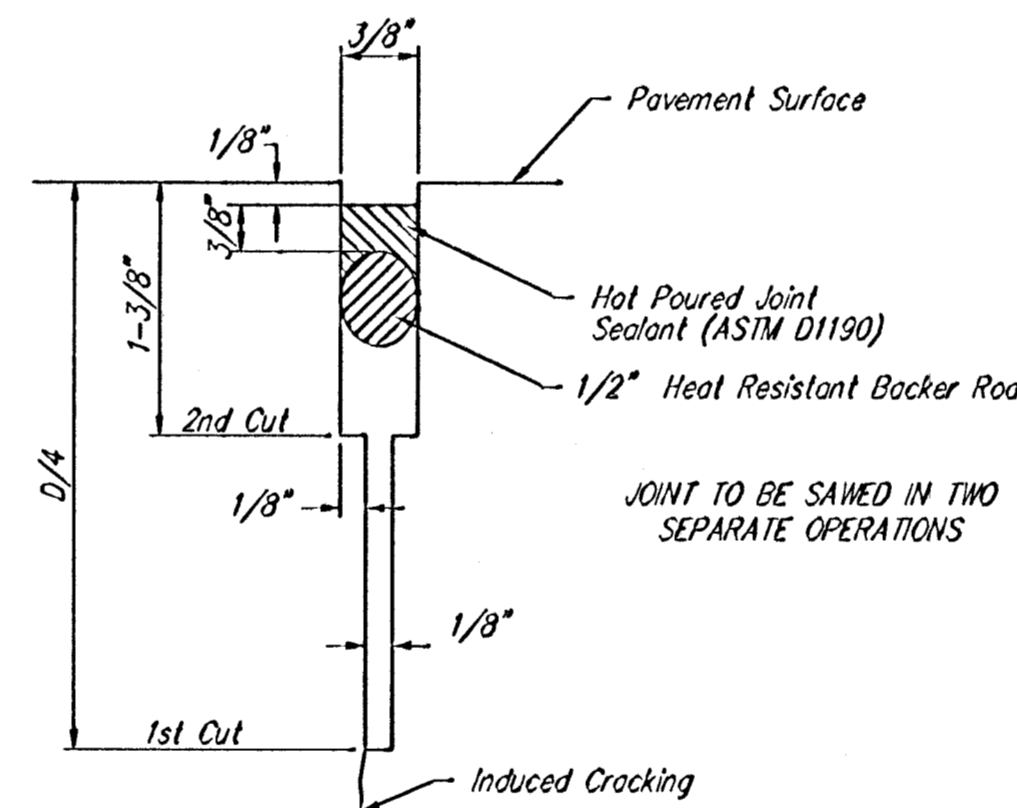
OPTIONAL CONTRACTION JOINT (CONSTRUCTION JOINT)



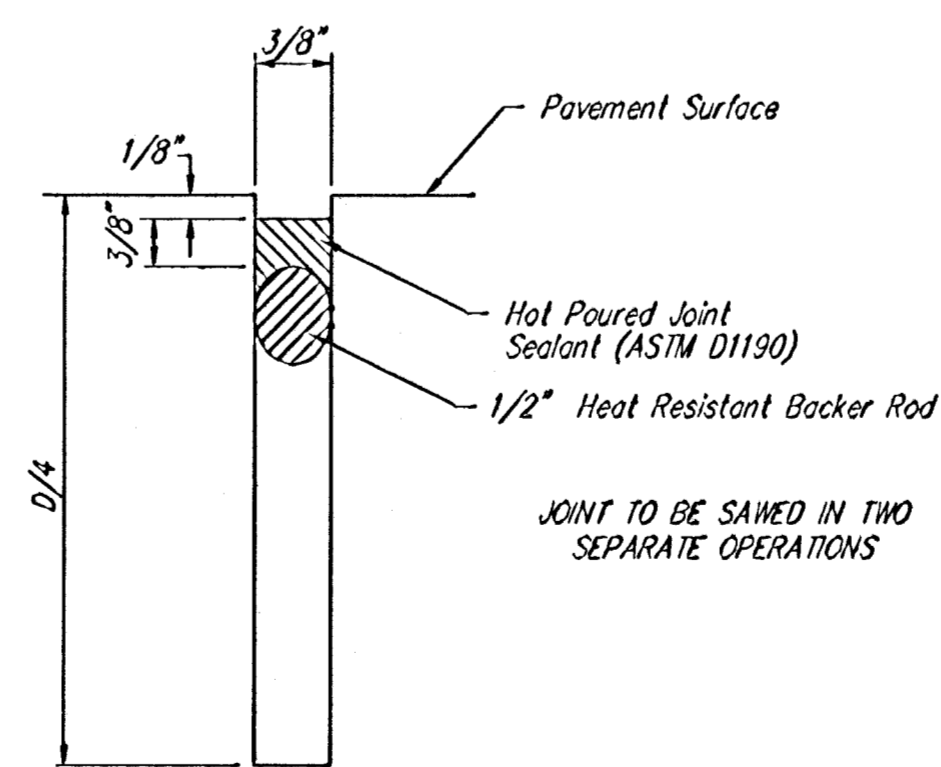
WING REINFORCING DETAIL



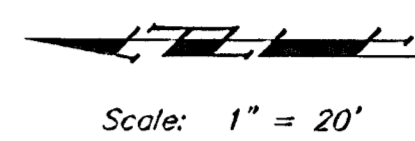
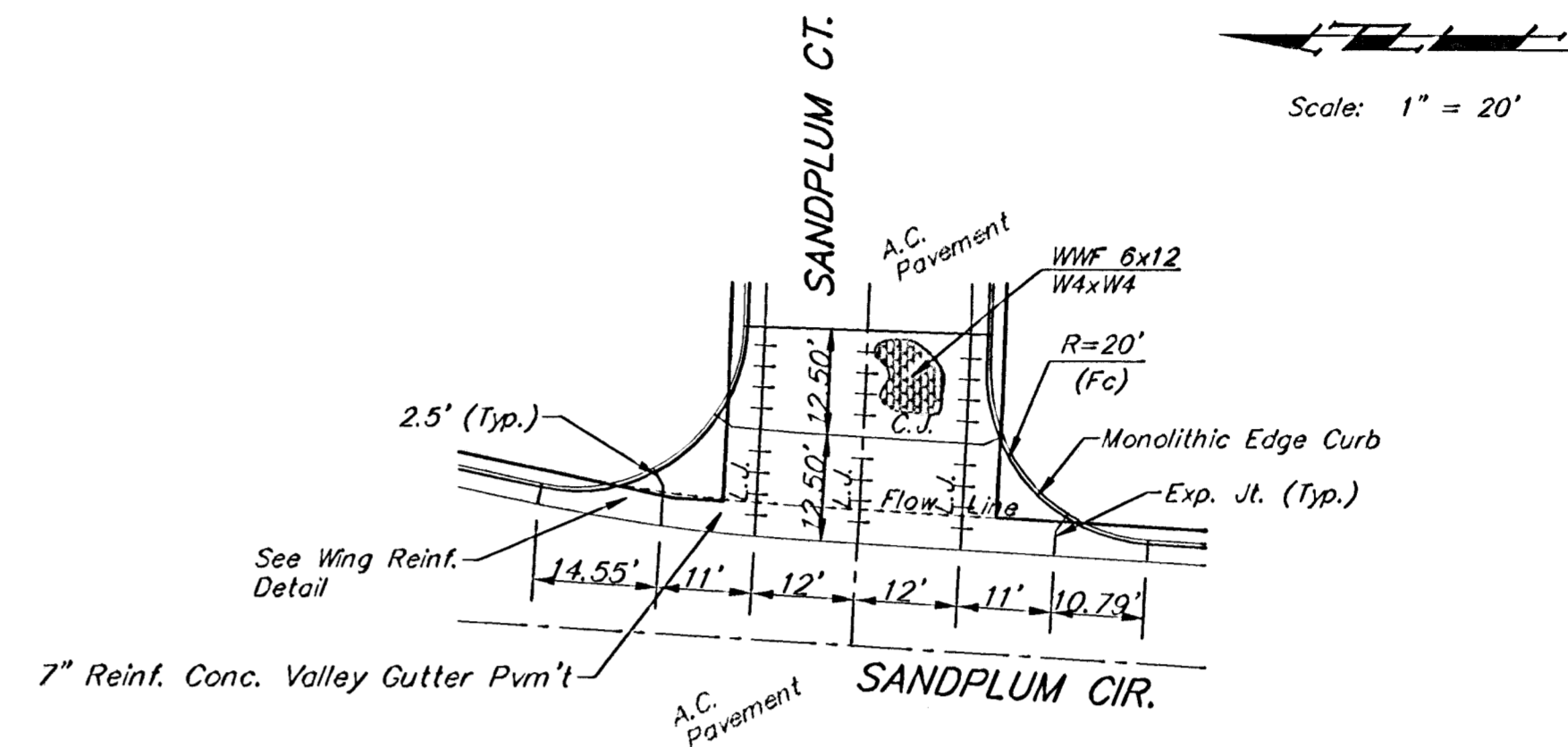
DEPRESSED CURB DETAIL



SAW JOINT DETAIL "A"



SAW JOINT DETAIL "B"



NOTE: 6" X 12" W4XW4 Wire Fabric Reinforcing Shall Be Placed So That The Wires With The 6" Spacing Will Run Parallel With The Longitudinal Joints.

VALLEY GUTTER DETAILS			
BAUGHMAN COMPANY P.A.			
ENGINEERING, SURVEYING, & PLANNING			
315-252-7271 • 315 ELLIS • WICHITA, KANSAS 67211			
PROJECT NUMBER 472-			SHEET 4
DESIGN STAFF	DRAWN STAFF	APPROVED	DATE 05/02
SCALE NONE			OF 13