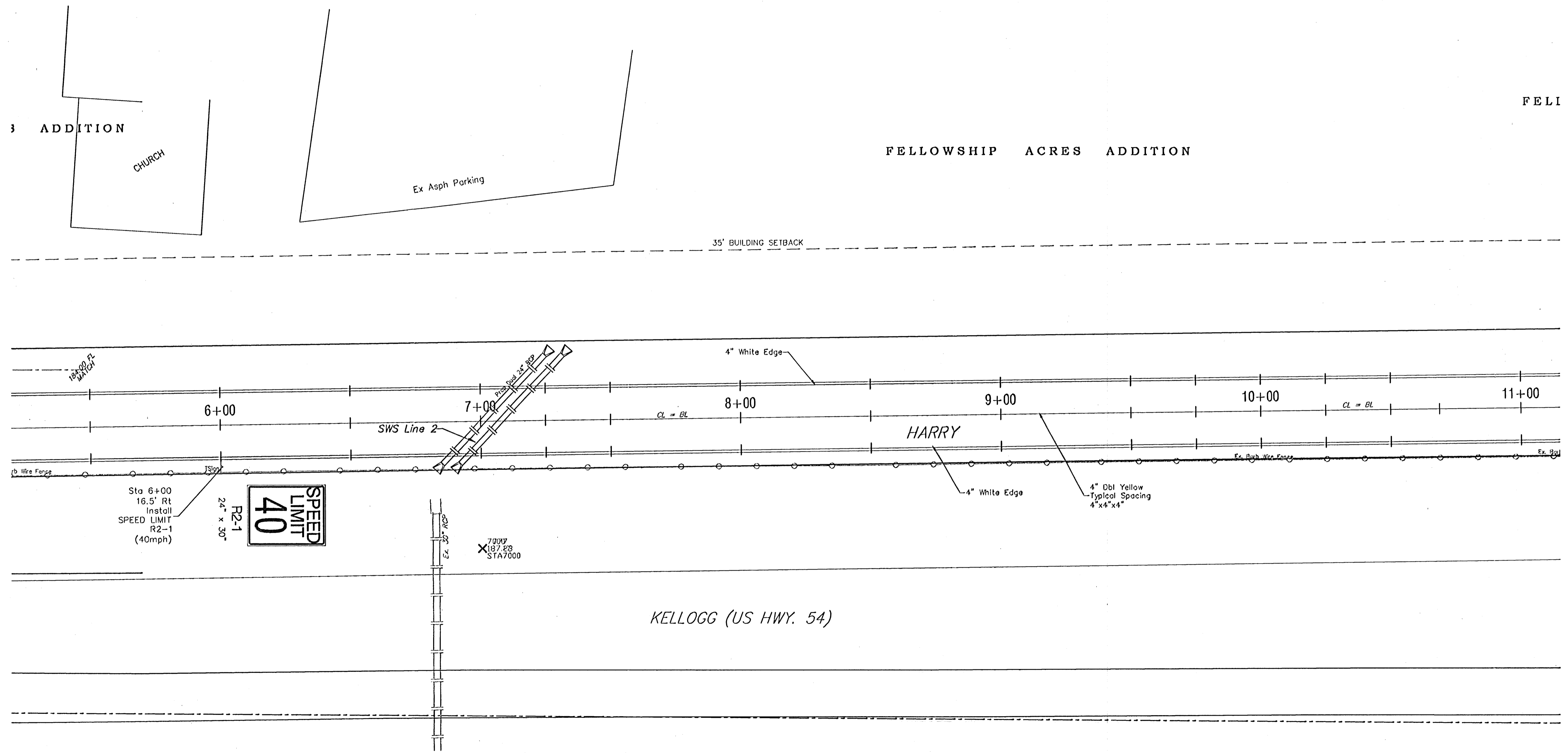
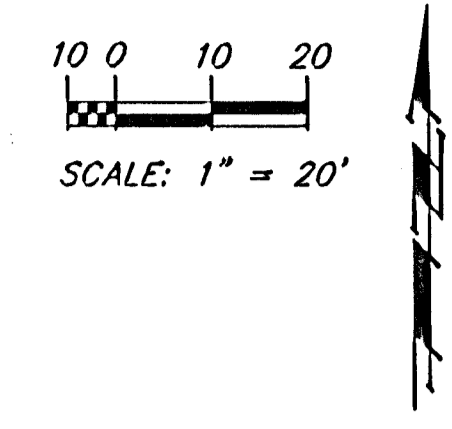


PHWA REGION NO.	STATE	PROJECT NO.	FISCAL YEAR	SHEET NO.	TOTAL SHEETS
7	KANSAS	KA-0407-01	2005	10	18



<p>Drawing File: P:\eng\muburn hills frontage road\road\log\basemap (MARK02)</p> <p>Design: AZIERE Drawn: STAFF Approved: ENGINEER Scale: NOTED</p>	<p>Project No. 0411 E103 CAPITAL IMPROVEMENT PROJECT</p> <p>HARRY STREET MARKING AND SIGNING</p> <p>Sta. 5+50 to Sta. 10+50</p> <p>AUBURN HILLS FRONTAGE ROAD - HARRY STREET</p>	<p>Baughman Company, P.A. 315 Ellis St. Wichita, KS 67211 P 316-262-7271 F 316-262-0149</p> <p>ENGINEERING SURVEYING PLANNING LANDSCAPE ARCHITECTURE</p>	<p>August, 2005</p> <p>SHEET 10 OF 16</p>
--	---	--	--