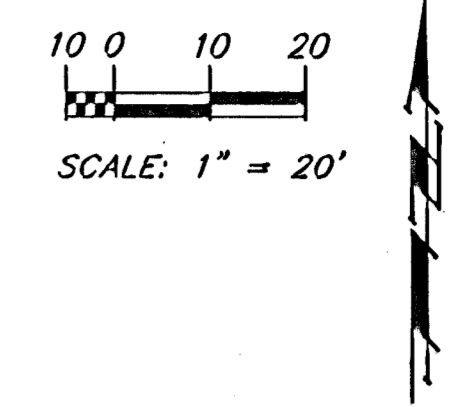
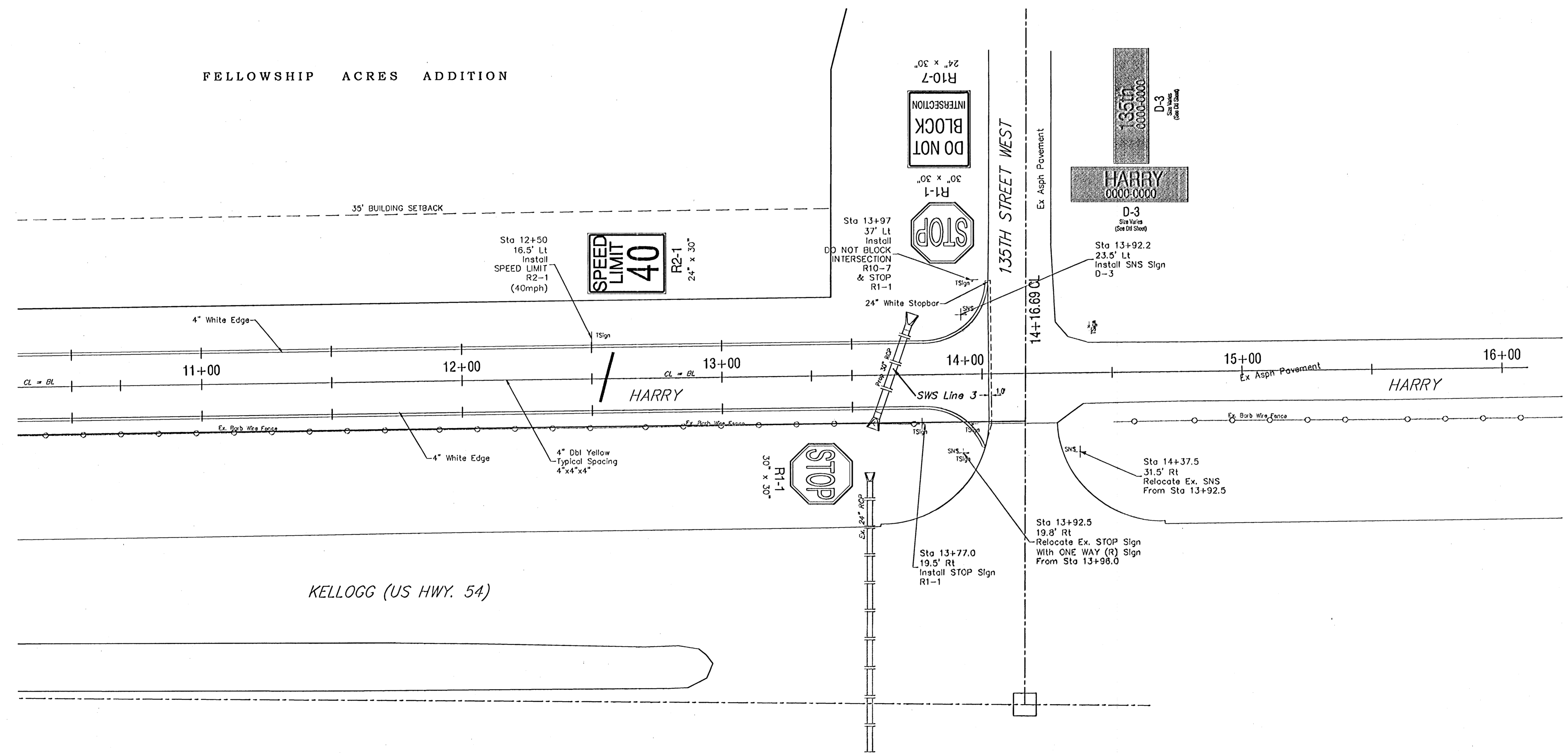


FHWA REGION NO.	STATE	PROJECT NO.	FISCAL YEAR	SHEET NO.	TOTAL SHEETS
7	KANSAS	KA-0407-01	2005	11	16



FELLOWSHIP ACRES ADDITION



Drawing File: P:\eng\Auburn hills frontage road\end\log\basemap (MAR03)  
 Project No. 0411 E103 CAPITAL IMPROVEMENT PROJECT  
 Design: AZIERB  
 Drawn: STAFF  
 Approved: ENGINEER  
 Scale: NOTED  
**HARRY STREET MARKING AND SIGNING**  
 Sta. 10+50 to Sta. 14+16.69  
 ALBURN HILLS FRONTAGE ROAD - HARRY STREET

**Baughman**  
 315 Ellis St. Wichita, KS 67211 P 316-262-7271 F 316-262-0149  
 ENGINEERING | SURVEYING | PLANNING | LANDSCAPE ARCHITECTURE

August, 2005  
 SHEET  
 11  
 OF  
 16