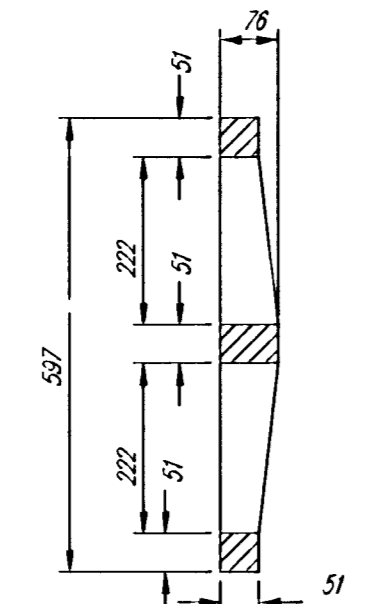
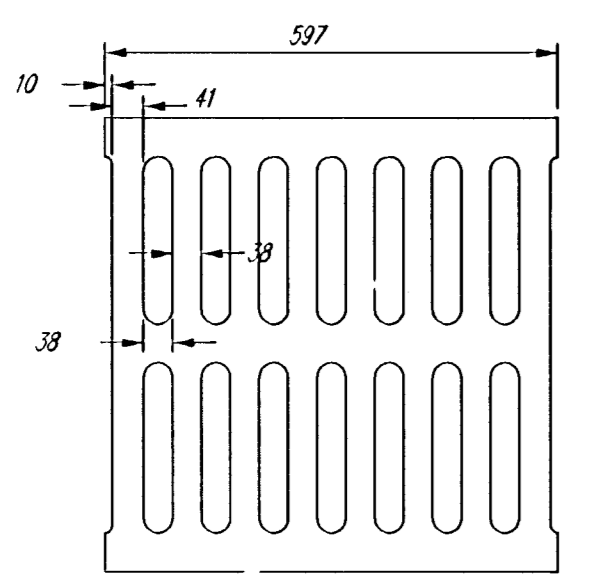
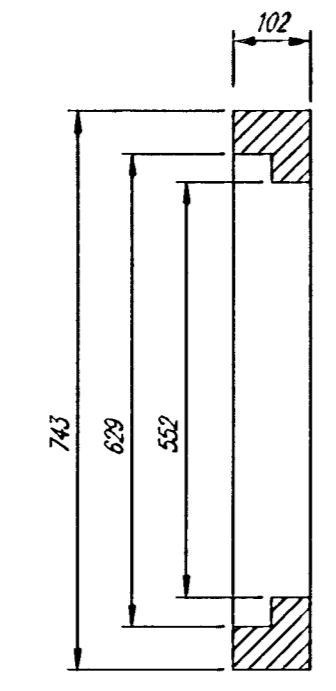
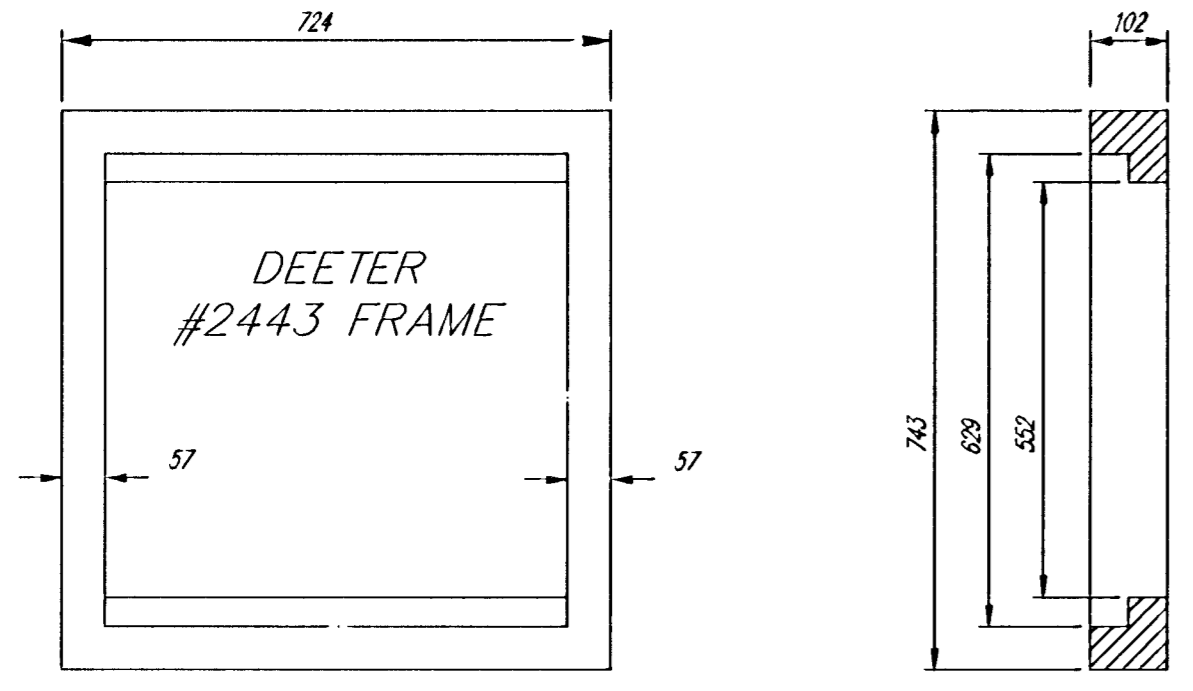


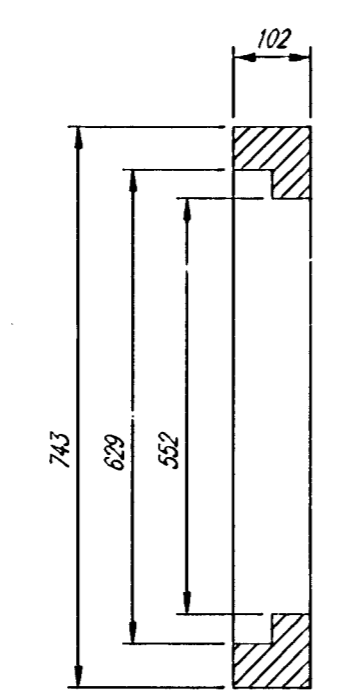
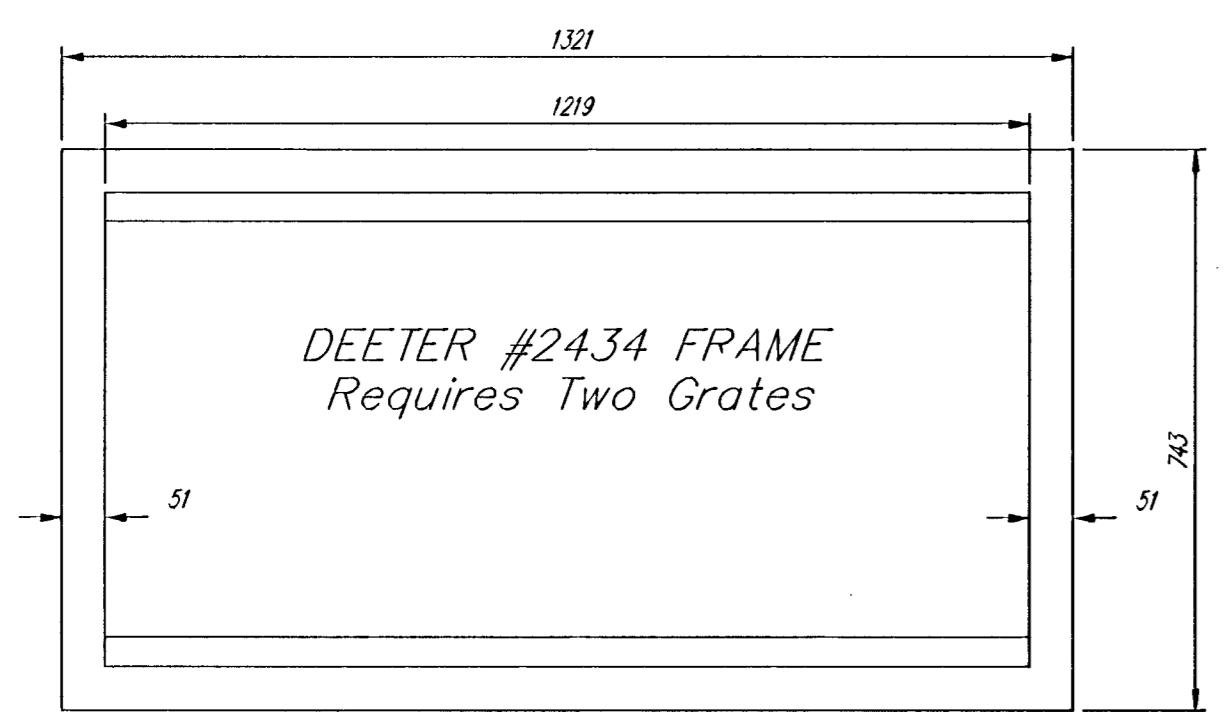
SHEET NO.	TOTAL SHEETS
4	9



DEETER #2433 GRATE

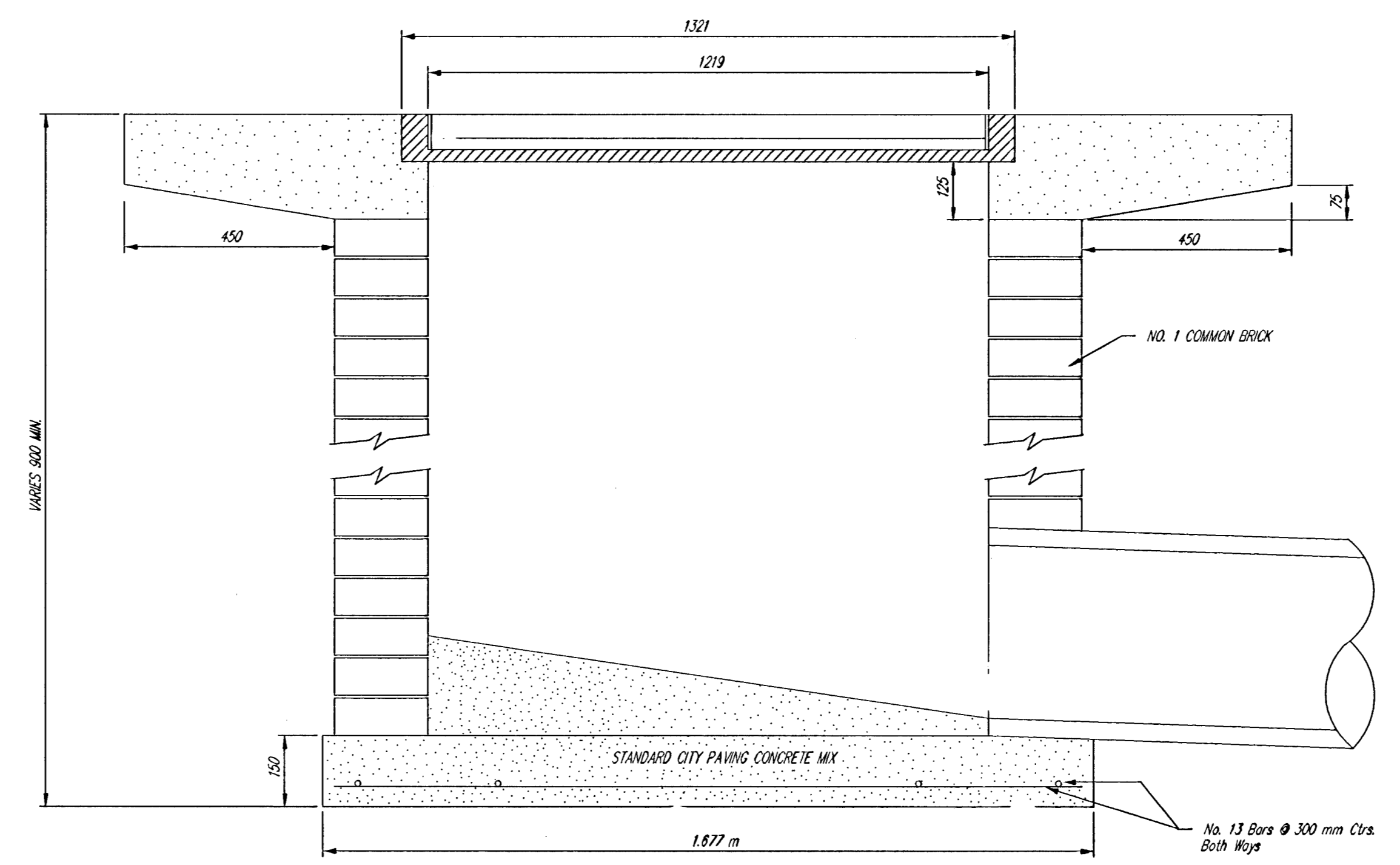
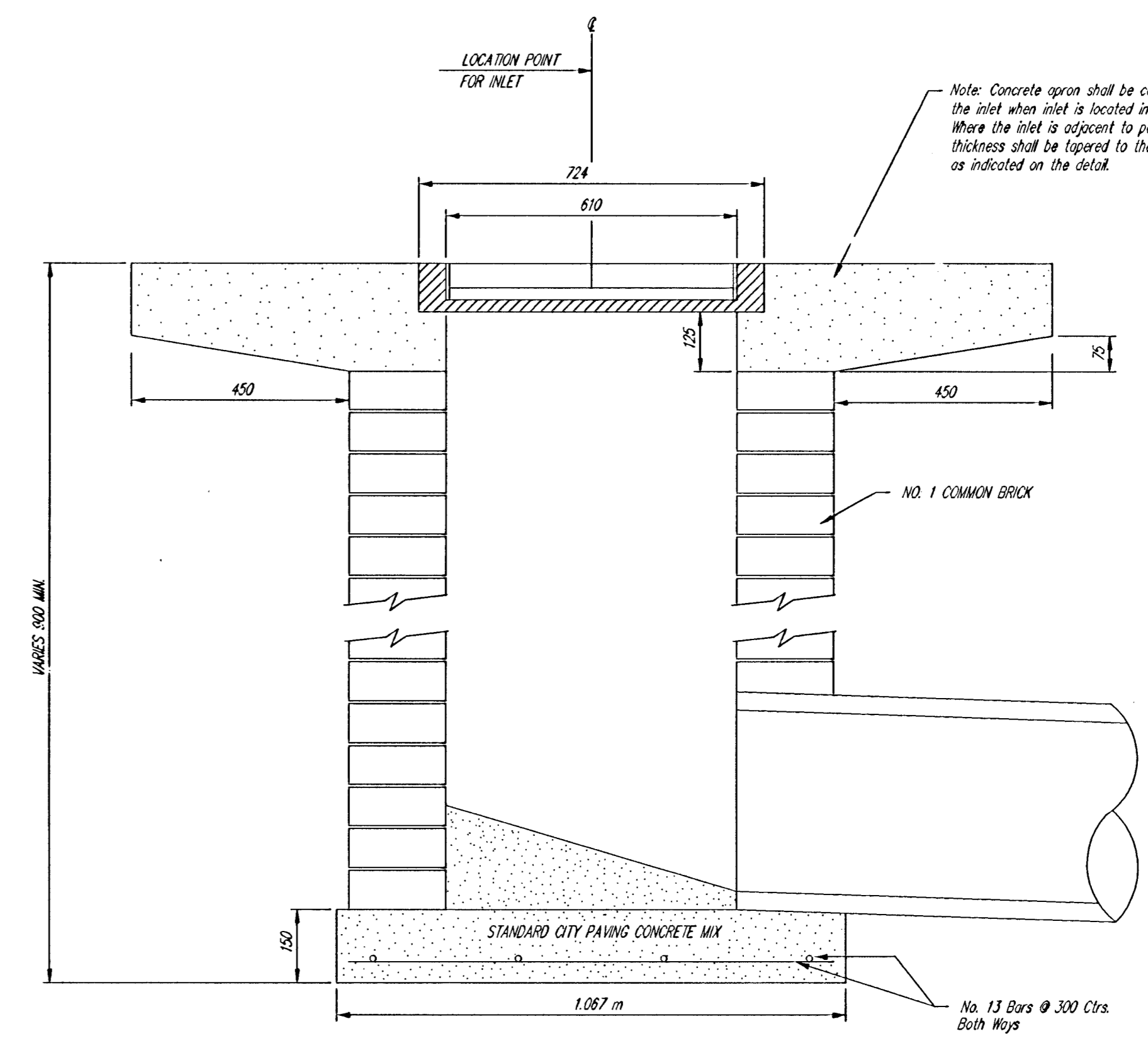
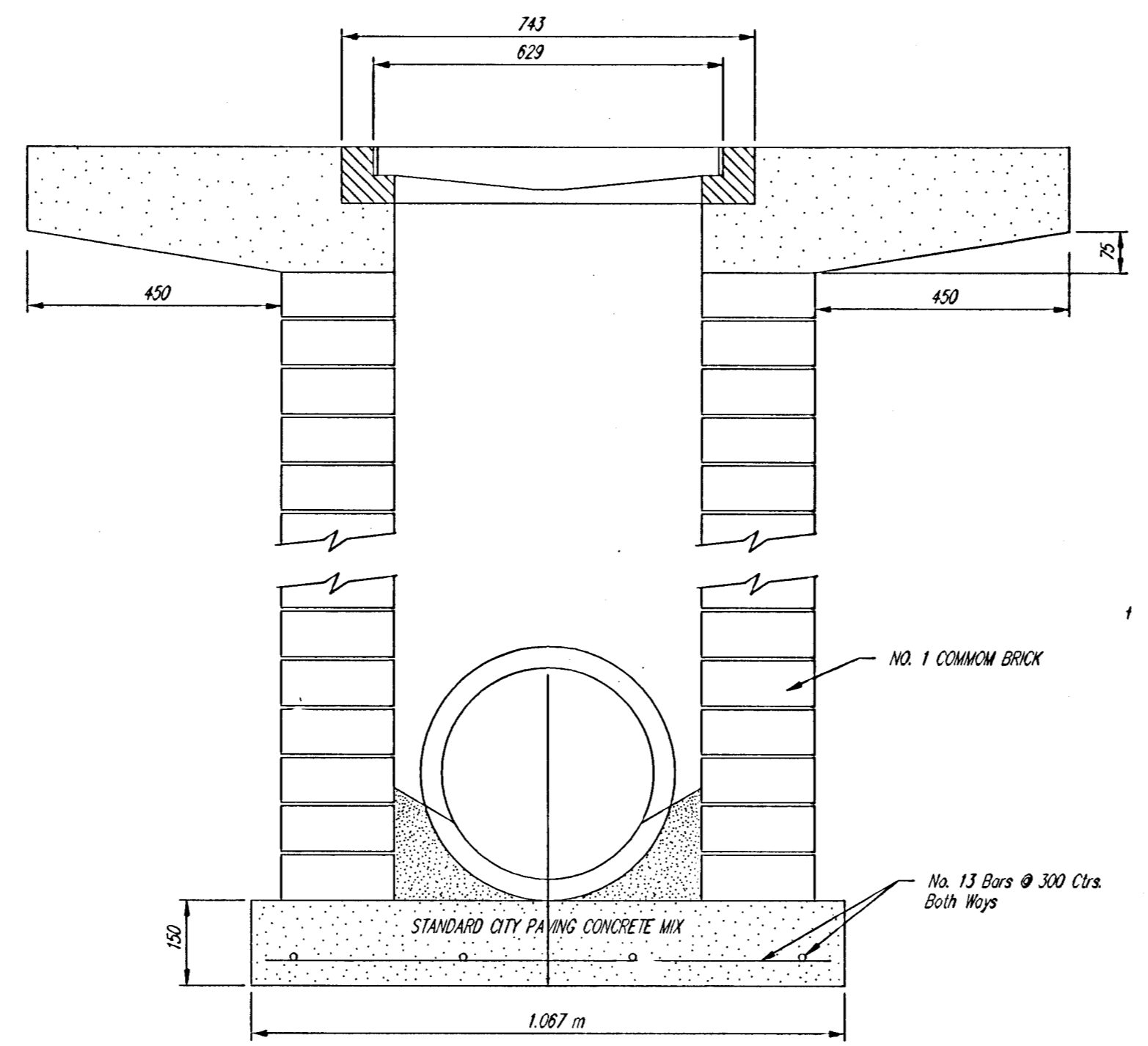
600 x 600 Frame and Grate Detail

NOTE: Grates shall be imprinted on the top surface with "CITY OF WICHITA" using letters at least 25 mm in height. Other marking methods may be approved by the engineer.



DEETER #2434 FRAME  
Requires Two Grates

Double 600 x 600 Frame Detail



J:\0001\p2\BONNIE B-HEATHER PROJ\04 DROP INLET.dwg 5/17/2005 3:54:23 PM CDT

THE CITY OF WICHITA

C. Y. ENGINEER'S OFFICE  
CITY HALL - SEVENTH FLOOR  
458 NORTH MAIN STREET  
WICHITA, KANSAS 67202  
(316) 268-4201  
(316) 268-6114 FAX

DROP INLET 600 X 600 & 600 X 1200	
M. E. LINDEBAK P.E. - CITY ENGINEER	
PROJECT NUMBER 54-87 K8258-07	INDEX CODE XXXXXX
DATE 2004	SHEET 4 OF 9