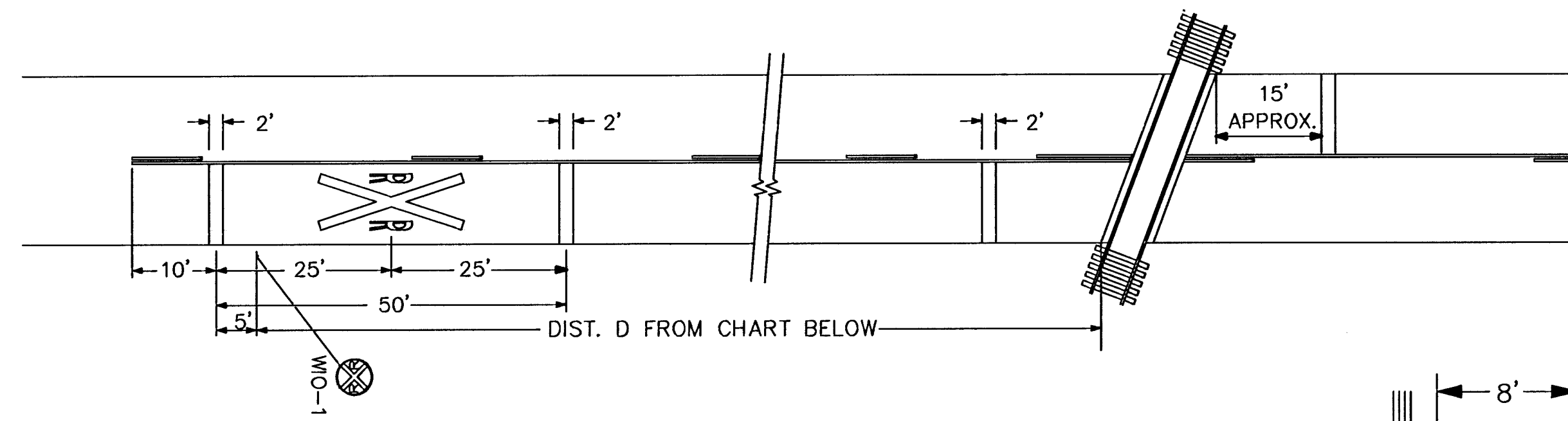


## RAILROAD CROSSING DETAIL



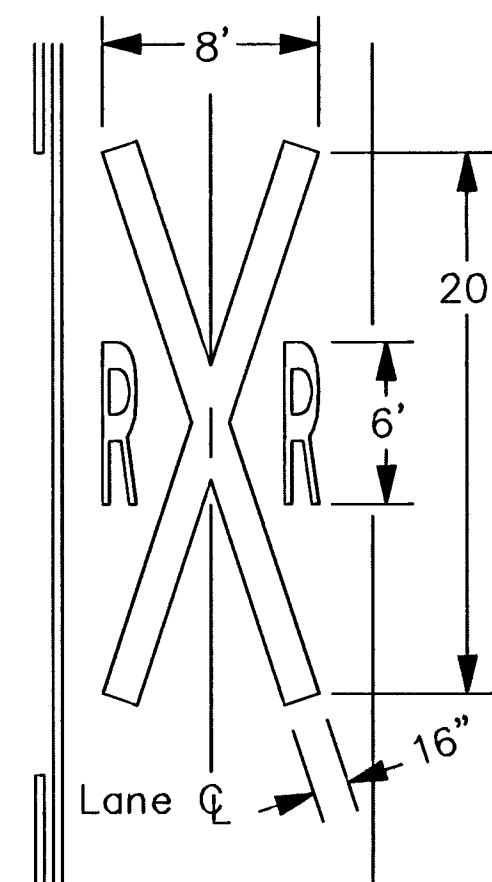
A three-lane roadway should be marked with a centerline for two-lane approach operation on the approach to a crossing.

On multi-lane roads the transverse bands should extend across all approach lanes, and individual R X R symbols should be used in each approach lane.

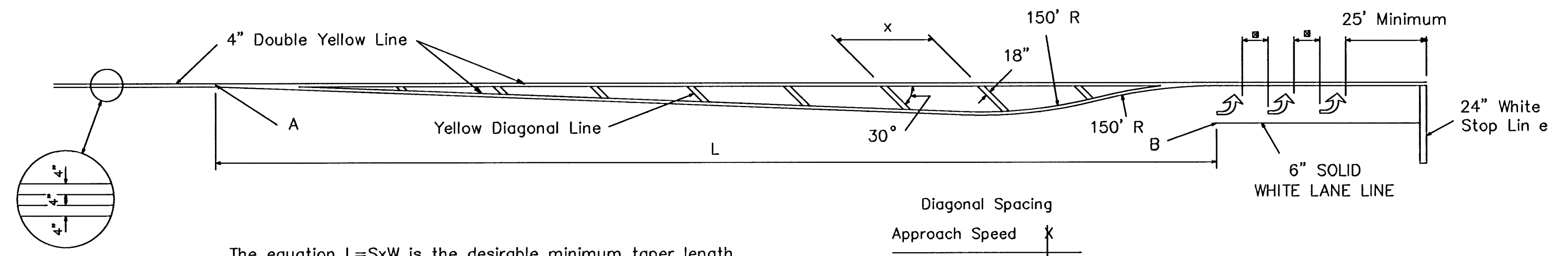
Refer to Standard Alphabet for Highway Signs and Markings for R X R symbols details.

POSTED SPEED (MPH)	DISTANCE D (FEET)
65	850
55	700
50	625
45	550
40	475
35	400
30	325
25	250
20	175

ALL DISTANCES ARE MINIMUM.



## TYPICAL APPROACH TAPER DETAIL



The equation  $L=SxW$  is the desirable minimum taper length for all locations. Where conditions are restrictive and where the approach speed is less than or equal to 40 MPH, the equation  $L=(S^2/60)W$  should be used.

Approach Taper Length from point A to point B is to be determined using the above equation. Point A is the location at which taper starts. Point B is the end of full width left turn channelization.

- Unless otherwise specified the space between lines should be at least four times the height of the characters for low speed roads but not more than ten times the height of the characters, under any conditions.

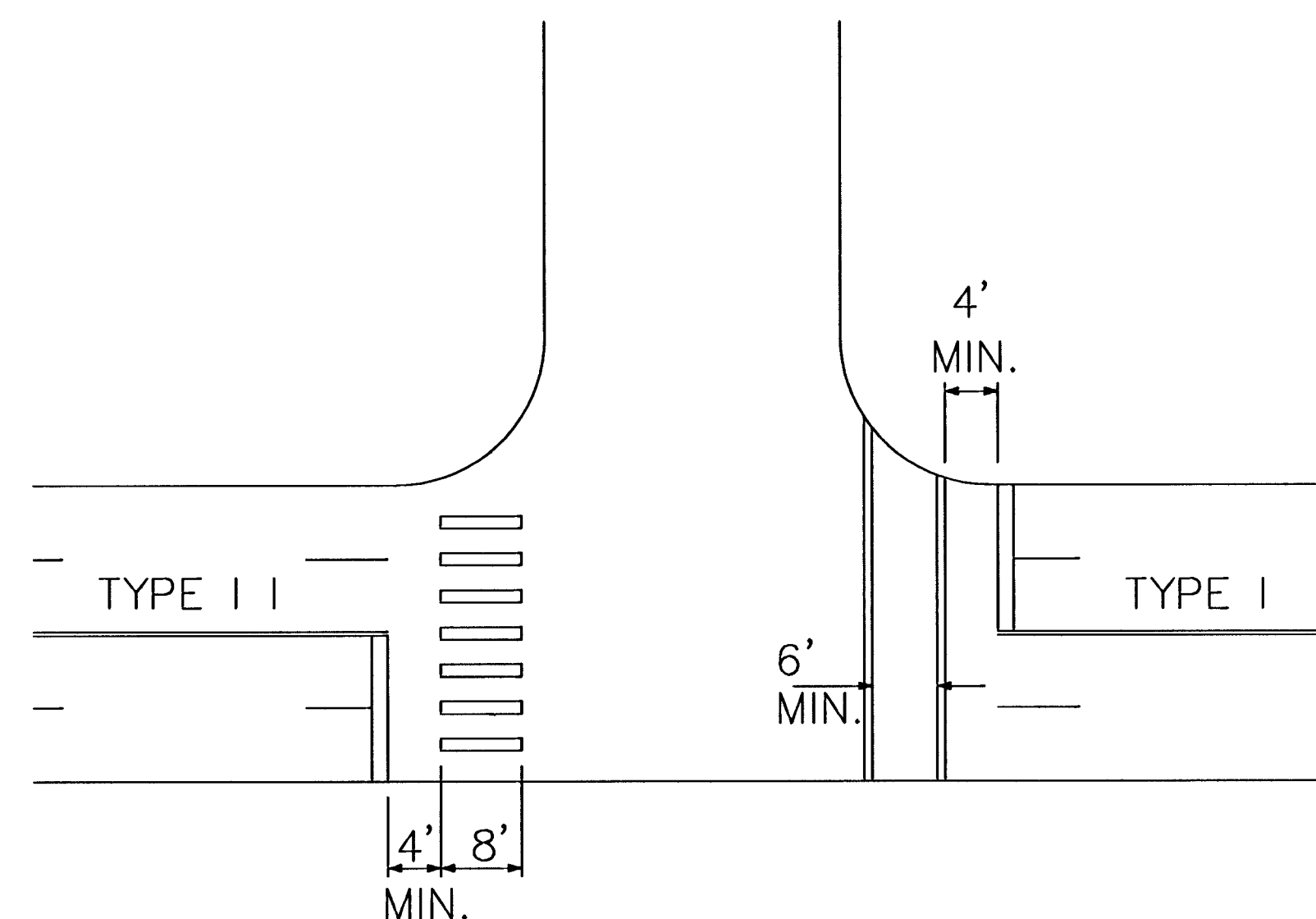
Approach Speed	K
20 MPH	20'
30 MPH	30'
40 MPH	40'
50 MPH & Above	50'

## TYPICAL CROSSWALKS

TYPE I: Crosswalk lines shall be 12" solid white lines. They shall be spaced a minimum of 6' apart (from inside edge to inside edge).

TYPE II: These lines should be solid white 24" wide placed parallel to the direction of traffic flow. The line placement is determined by lane line, center line, and wheel path in such a manner as to minimize traffic wear. The crosswalk width should be not less than 8'. The transverse crosswalk lines may be added.

When required, Stop lines shall be installed a minimum of 4' from crosswalks.



<p>THE CITY OF WICHITA</p> <p>CITY ENGINEER'S OFFICE 425 NORTH MAIN STREET WICHITA, KANSAS 67202 (316) 268-4501 (316) 268-4114 FAX</p>	<b>MISCELLANEOUS PAVEMENT MARKING DETAIL SHEET</b>		
	M. E. LINDEBAK P.E. - CITY ENGINEER		
	PROJECT NUMBER 472-83261	OCA #	
	DATE NOV 93	SHEET 9 OF 10	