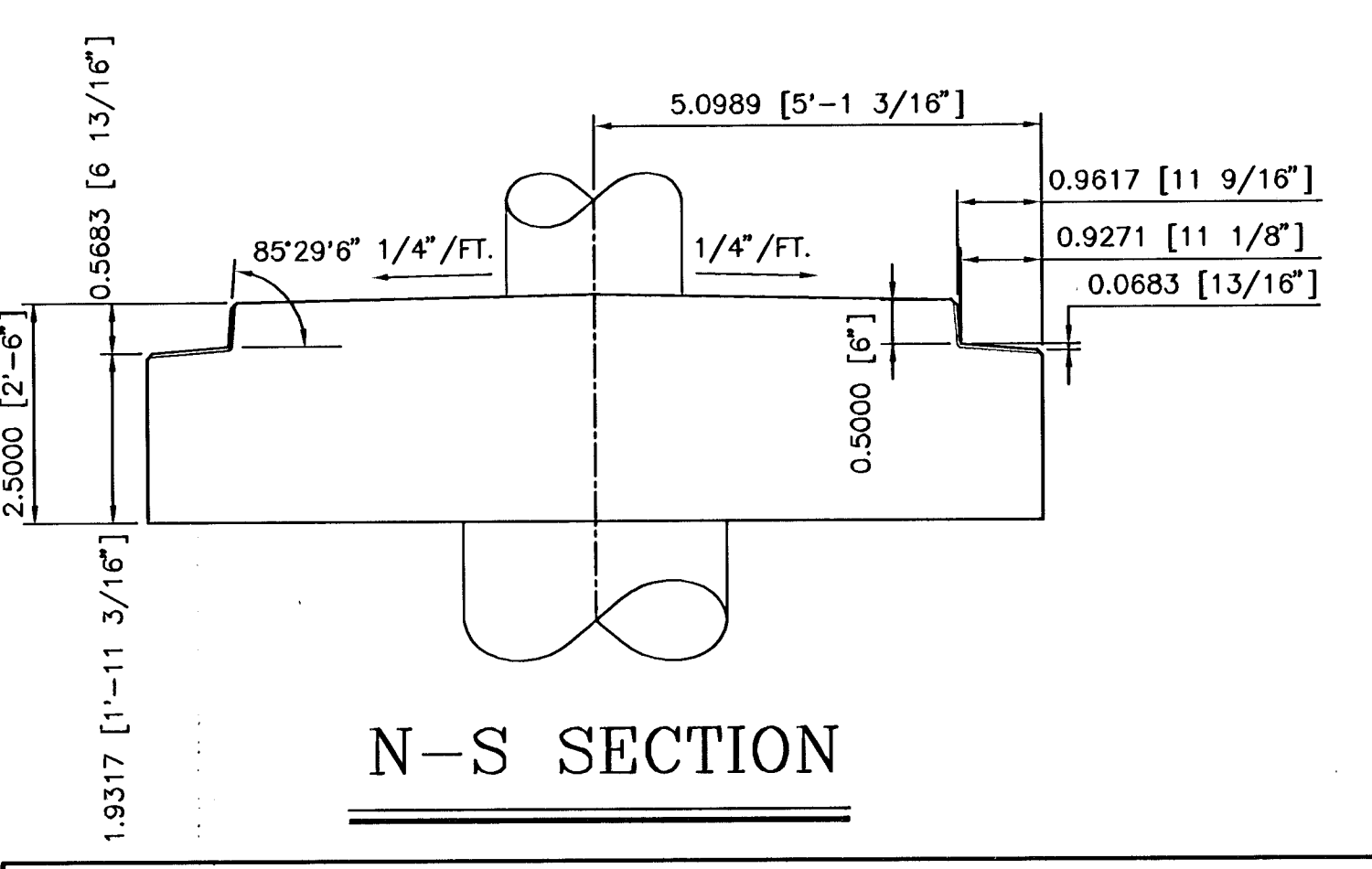
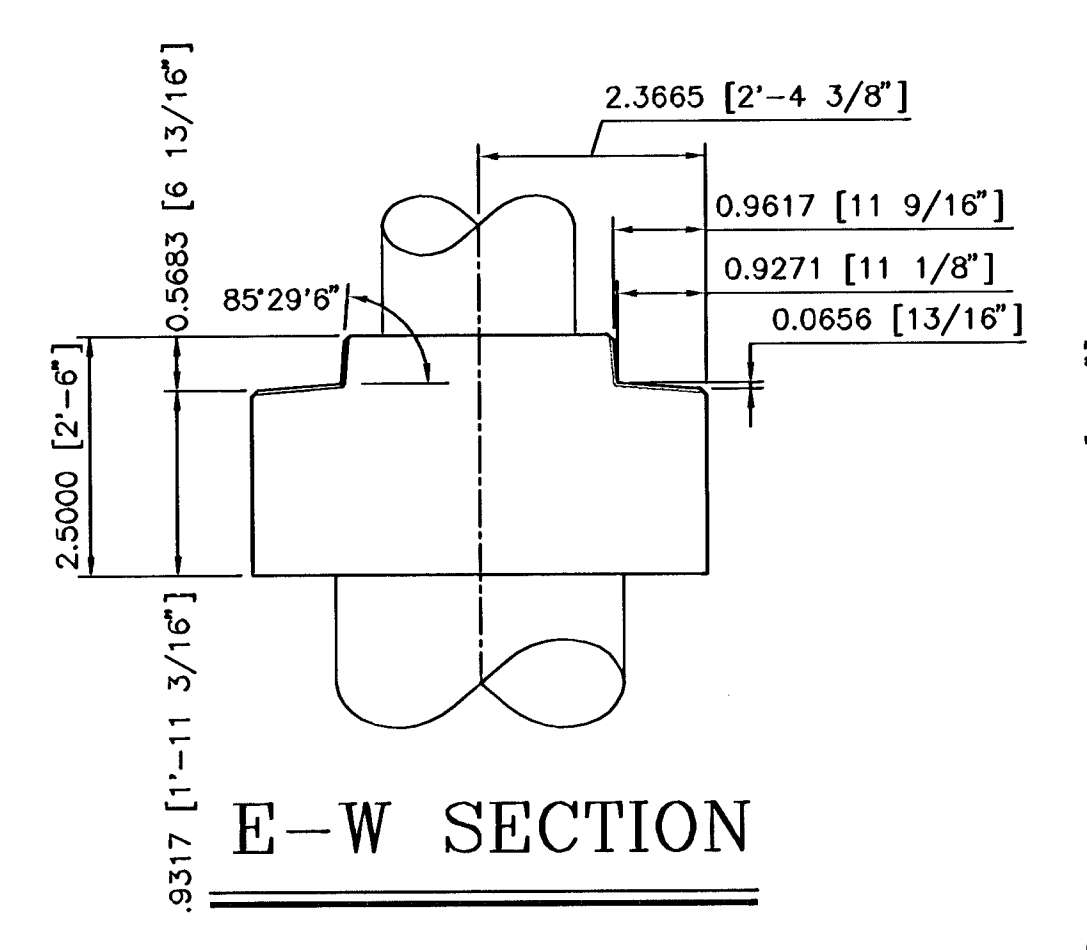
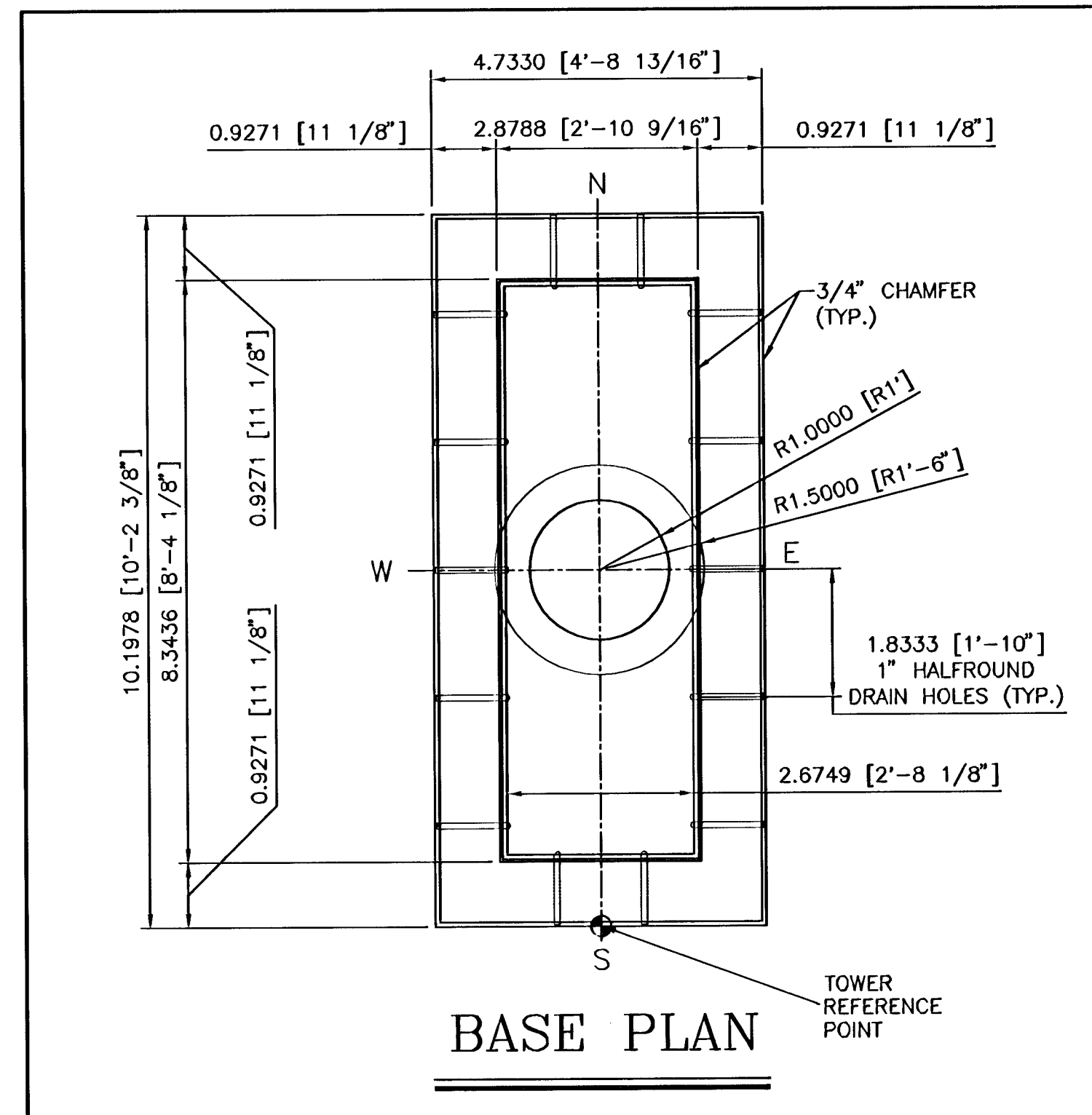


SCALE: 1/4" = 1'



NOTE:
1. SEE TOWER #5 & #6 REINFORCING DETAILS SHEET FOR REINFORCING LAYOUT.
2. DIMENSIONS SHOWN REFERENCE THE WORKING POINTS SHOWN ON THE MISC. DETAIL SHEET.

TOWER BASE DETAIL
SCALE: 1/2" = 1'

SENECA STREET
PROJECT NAME

TOWER #5 (STA 48+61.94 SENECA ST.)
SHEET TITLE

KJS/RSB DESIGN BY: **RSB** DRAWN BY: **KJS** CHECKED BY:

NOVEMBER/2002 DATE: **98092** JOB NO.: **7 / 12** SHEET/OF