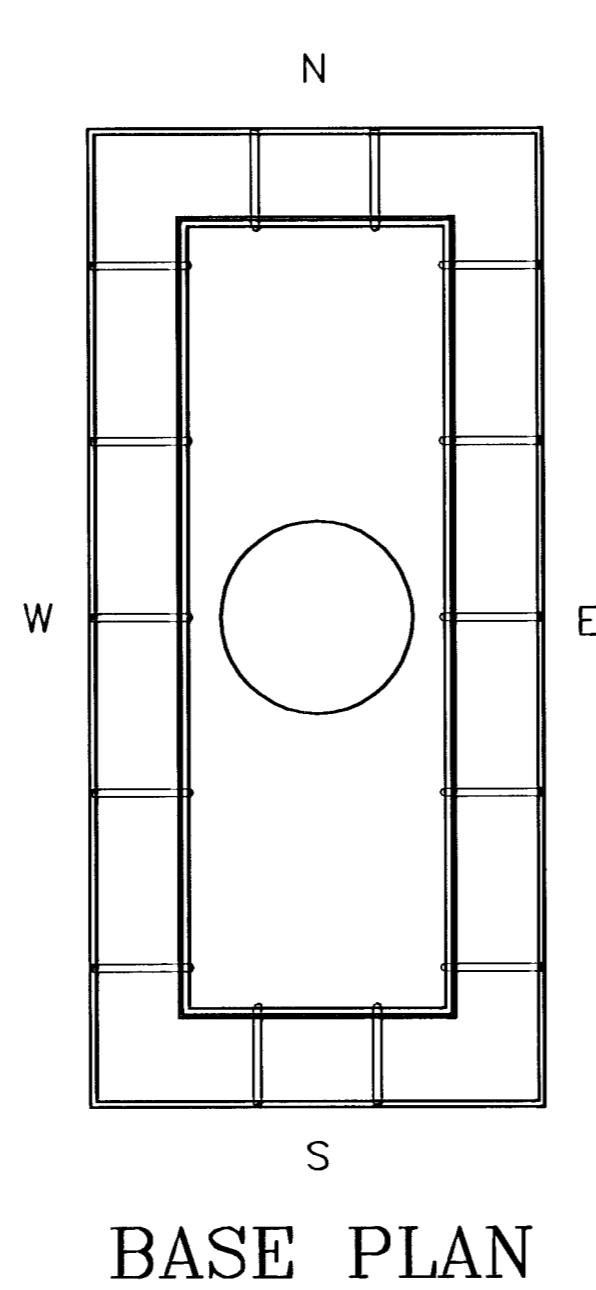
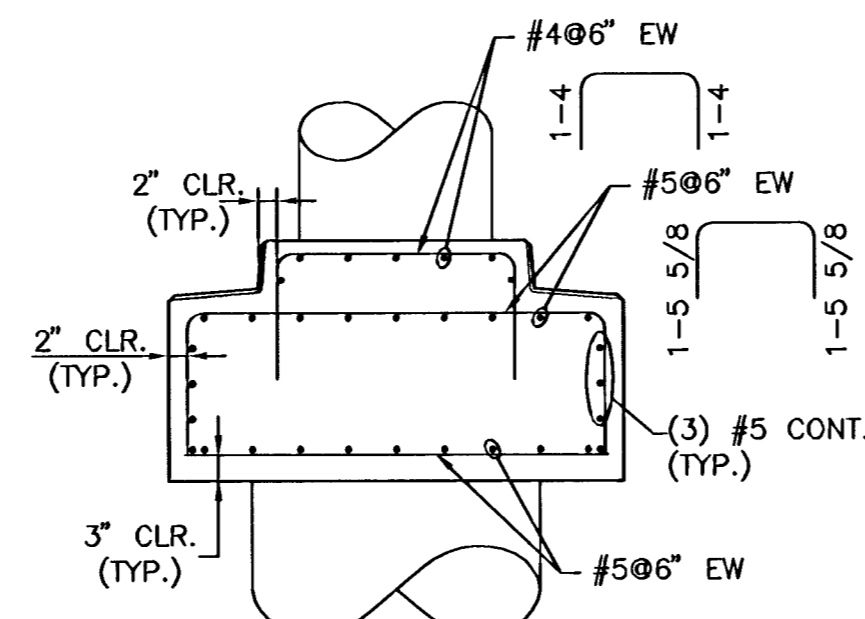


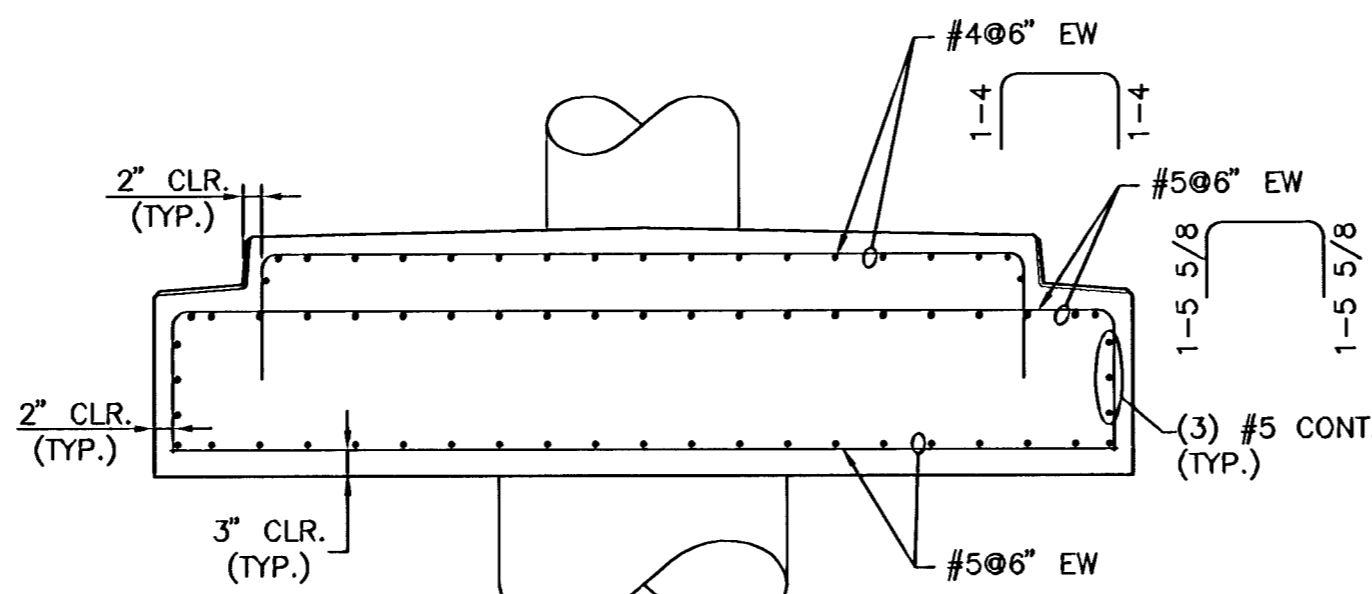
TOWER #5 REINFORCING DETAIL
SCALE: 1/4" = 1'



BASE PLAN

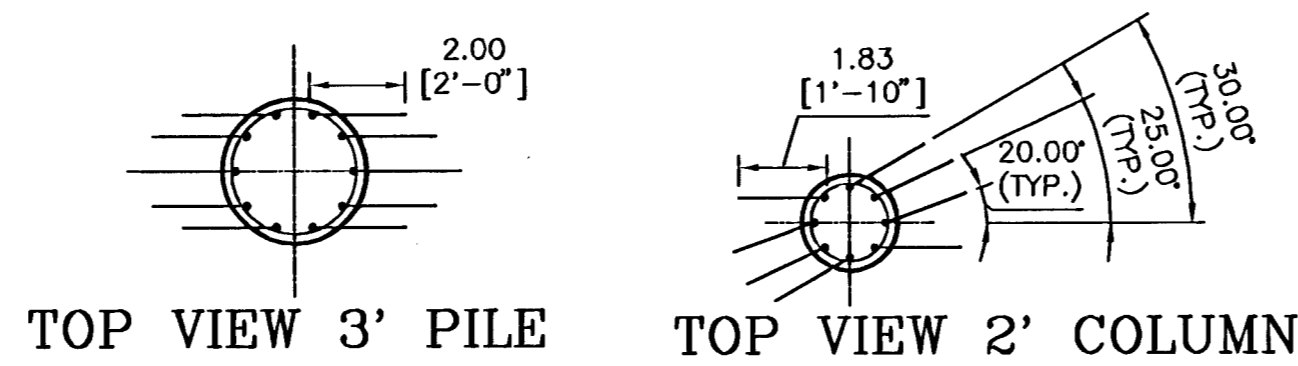


E-W SECTION

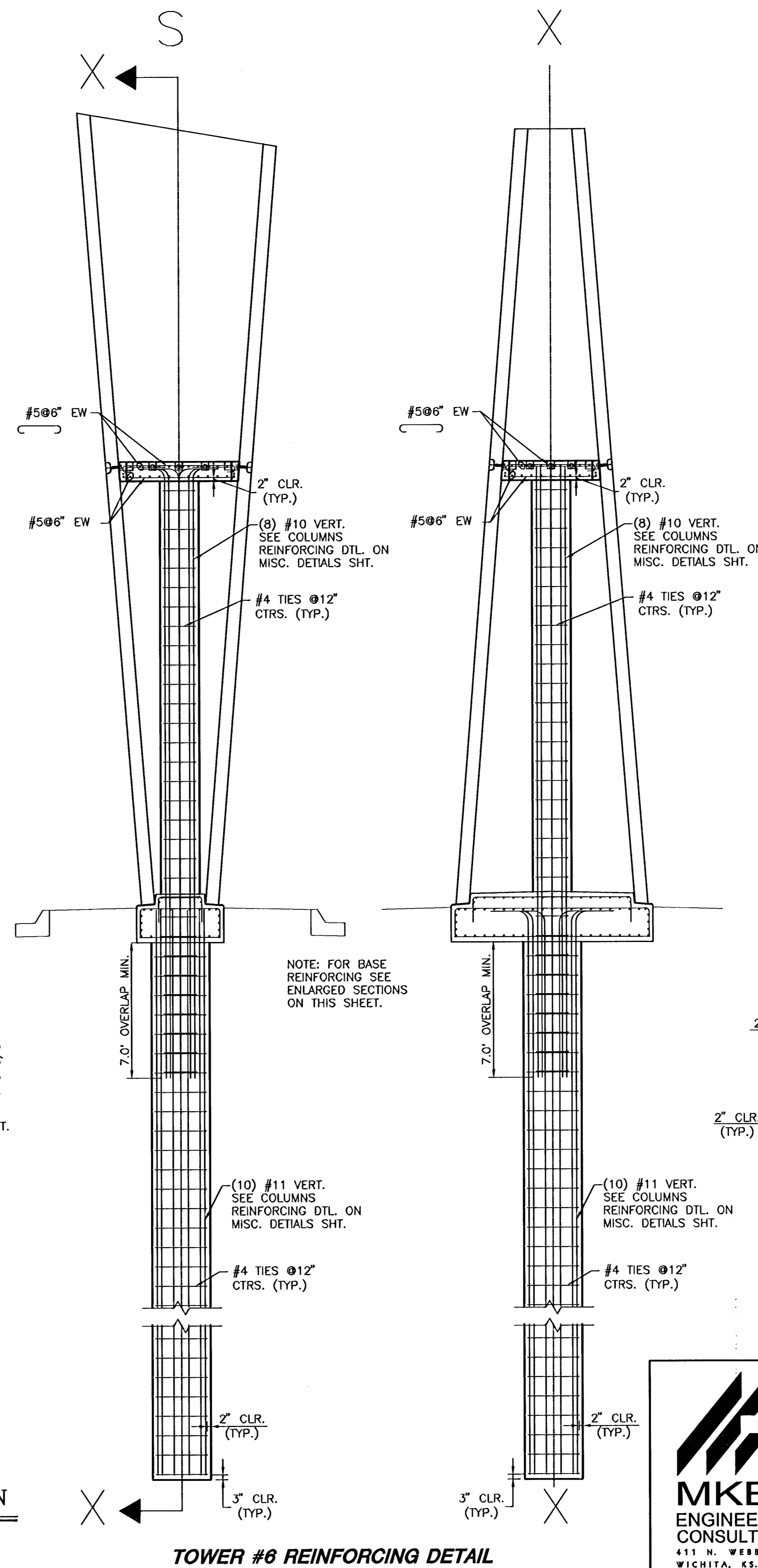


N-S SECTION

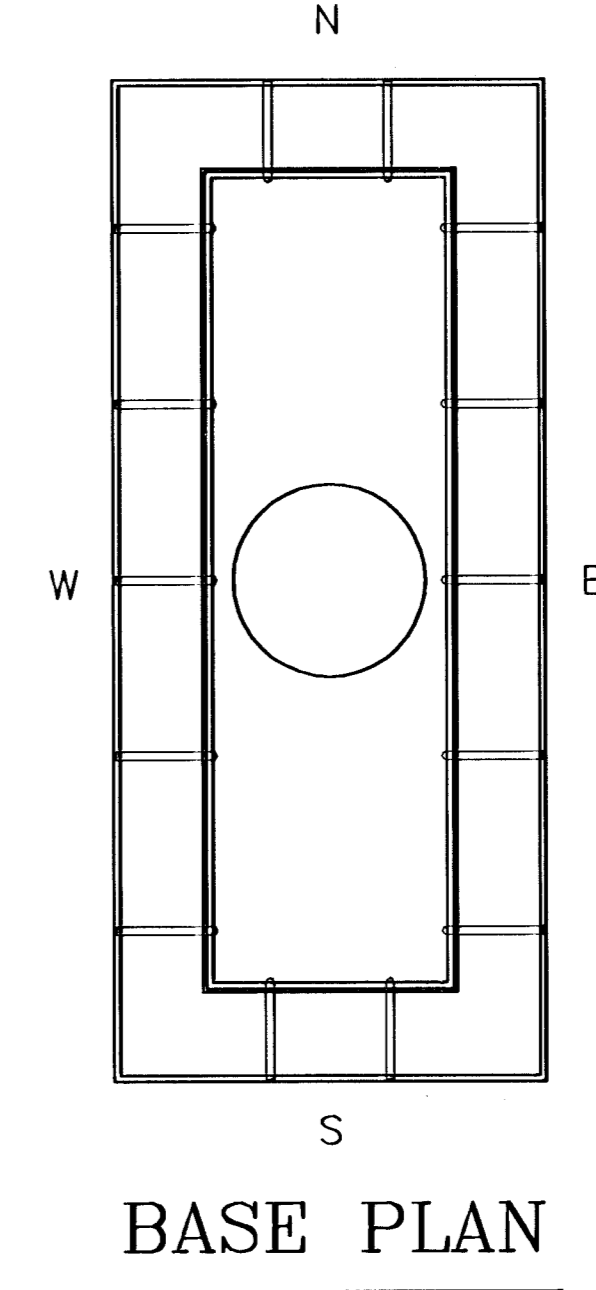
TOWER #5 BASE REINFORCING DETAIL
SCALE: 1/2" = 1'



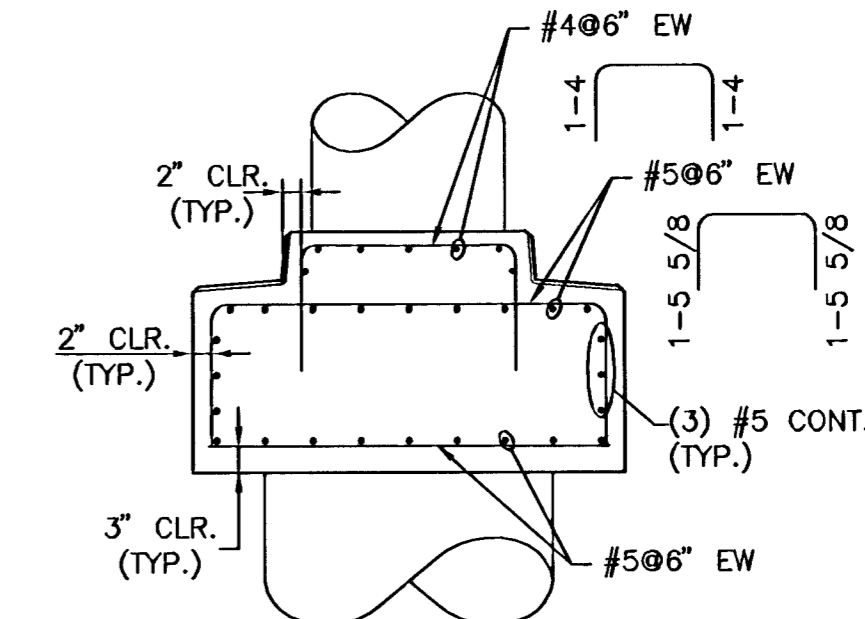
TOWER PILE & COLUMN TOP VIEW
SCALE: 1/4" = 1'



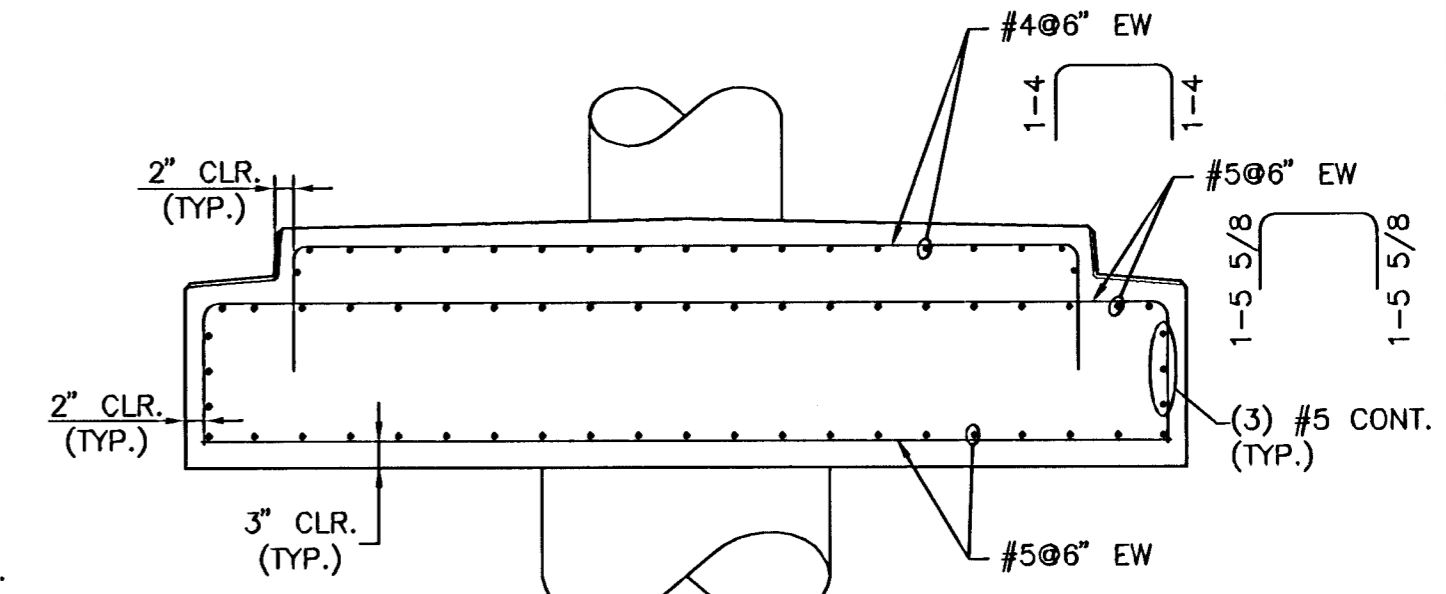
TOWER #6 REINFORCING DETAIL
SCALE: 1/4" = 1'



BASE PLAN



E-W SECTION



N-S SECTION

TOWER #6 BASE REINFORCING DETAIL
SCALE: 1/2" = 1'

<p>MKEC ENGINEERING CONSULTANTS 411 N. WEBB ROAD WICHITA, KS. 67206 316-684-9600</p>	<p>SENECA STREET PROJECT NAME</p>		
	<p>TOWER #5 & #6 REINFORCING DETAILS SHEET TITLE</p>		
	<p>KJS/RSB DESIGN BY:</p>	<p>RSB/RRT DRAWN BY:</p>	<p>KJS CHECKED BY:</p>
	<p>NOVEMBER/2002 DATE</p>	<p>98092 JOB NO.</p>	<p>11 / 12 SHEET/OF</p>