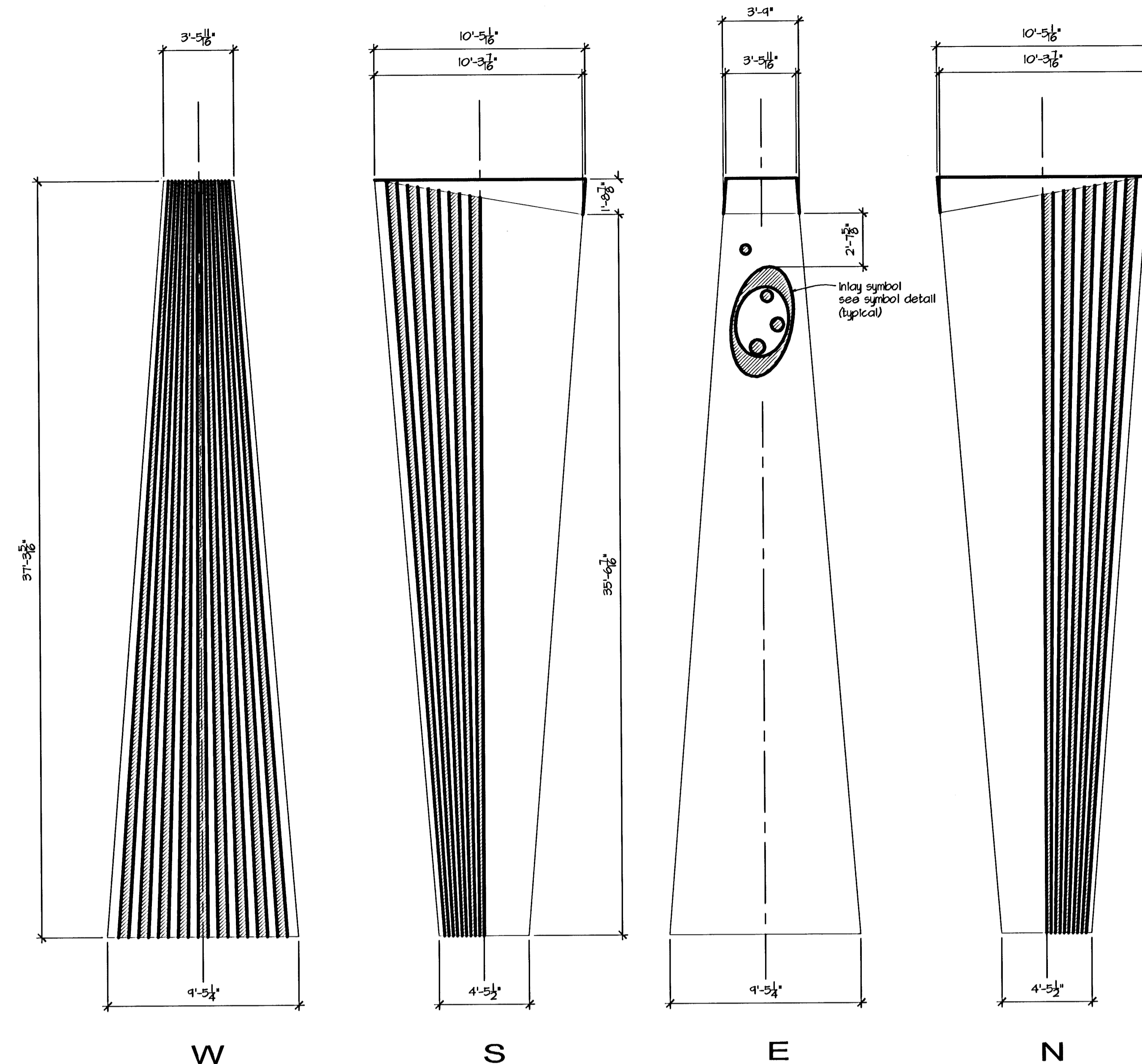


TOWER 03

RUSTICATION LAYOUT PER PANEL

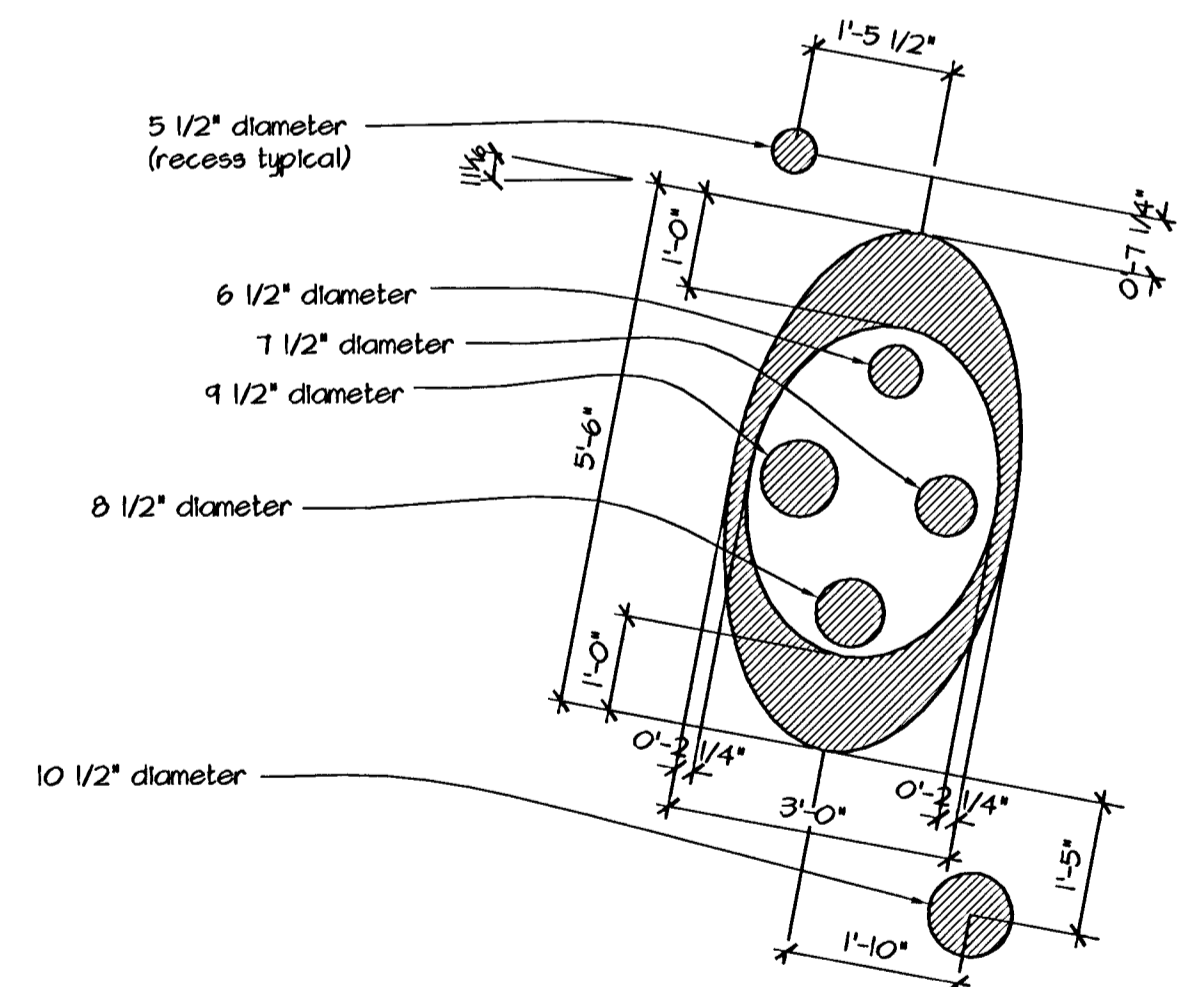
SCALE: 1/4" = 1'-0"



TOWER 04

RUSTICATION LAYOUT PER PANEL

SCALE: 1/4" = 1'-0"



TYPICAL SYMBOL DETAIL
PLAN PER UPPER EAST PANEL

SCALE: 1/2" = 1'-0"

NOTES:
Symbol detail depicts the complete symbol (see tower 06)
from an additive progression (towers 01 thru 06).
Symbol shown is for layout reference. Refer to panel
drawings for specific symbol configurations.



copyright 2002
seneca--surface patterns 02 feb 03.dwg

PROJECT:	Seneca Street / Museum Drive		
SHEET NAME:	Tower Surface Drawings		
DRAWN BY:	ktw		
DATE:	01 February 2003		SHEET: 2 of 3
kent williams	524 commerce	wichita, ks	67202 323-251-5784