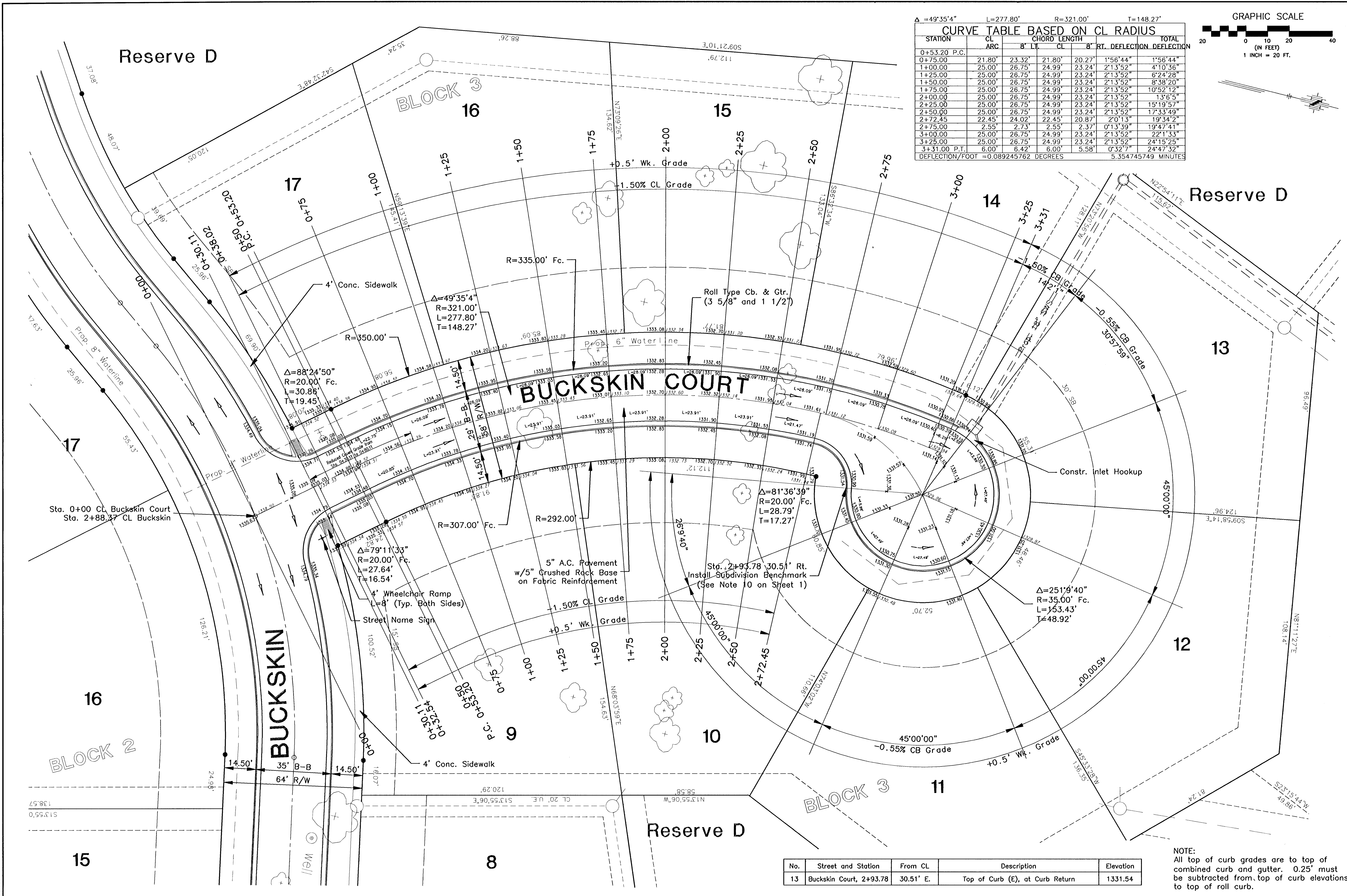


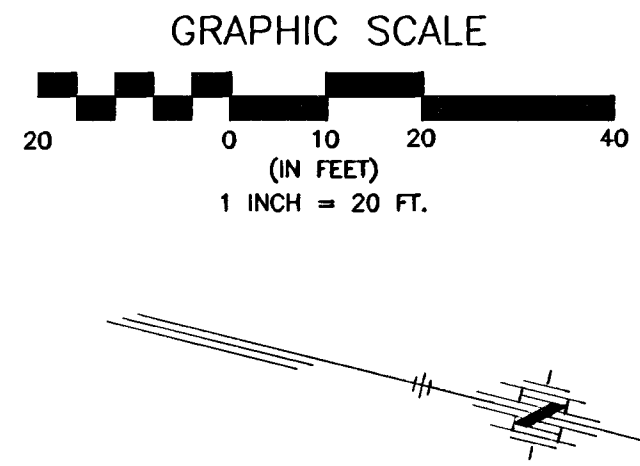
C:\APPS\CAD\PLG\BASE-STIU.dwg F:\1 Mar 15 08:54:56 2002 James Wertz - Pre & Associates of Kansas, Inc.



△=49°35'4" L=277.80' R=321.00' T=148.27'

STATION	CHORD LENGTH		RT. DEFLECTION		TOTAL DEFLECTION
	ARC	8' LT	8' RT	DEFLECTION	
0+53.20 P.C.	21.80'	23.32'	21.80'	20.27'	1°56'44"
0+75.00	25.00'	26.75'	24.99'	23.24'	2°13'52"
1+00.00	25.00'	26.75'	24.99'	23.24'	2°13'52"
1+25.00	25.00'	26.75'	24.99'	23.24'	2°13'52"
1+50.00	25.00'	26.75'	24.99'	23.24'	2°13'52"
1+75.00	25.00'	26.75'	24.99'	23.24'	2°13'52"
2+00.00	25.00'	26.75'	24.99'	23.24'	2°13'52"
2+25.00	25.00'	26.75'	24.99'	23.24'	2°13'52"
2+50.00	25.00'	26.75'	24.99'	23.24'	2°13'52"
2+72.45	22.45'	24.02'	22.45'	20.87'	2°01'33"
2+75.00	2.55'	2.73'	2.55'	2.37'	0°13'39"
3+00.00	25.00'	26.75'	24.99'	23.24'	2°13'52"
3+25.00	25.00'	26.75'	24.99'	23.24'	2°13'52"
3+31.00 P.T.	6.00'	6.42'	6.00'	5.58'	0°32'7"

DEFLECTION/FOOT = 0.089245762 DEGREES 5.354745749 MINUTES



No.	Street and Station	From CL	Description	Elevation
13	Buckskin Court, 2+93.78	30.51' E.	Top of Curb (E), at Curb Return	1331.54

NOTE:
All top of curb grades are to top of combined curb and gutter. 0.25' must be subtracted from top of curb elevations to top of roll curb.

Revision

No.	Date	By	Approved

EQUESTRIAN ESTATES - PHASE 1
STREET IMPROVEMENTS
BUCKSKIN COURT
CITY OF WICHITA, KANSAS
MICHAEL E. LINDEBAK, P.E. - CITY ENGINEER
O.C.A. # 765705
C.O.W. Project # 472-85424

POE & ASSOCIATES OF KANSAS, INC.
CONSULTING ENGINEERS
5940 E. Central, Suite 200 • Wichita, KS 67208-4542
Phone 316/685-4714 • FAX 316/685-4444

FINAL

Designed By: J. Ubert / J. Dickman
Drawn By: J. Dickman
Poe Job No.: 1684A
Date: March 2002

Sheet
17 of 112