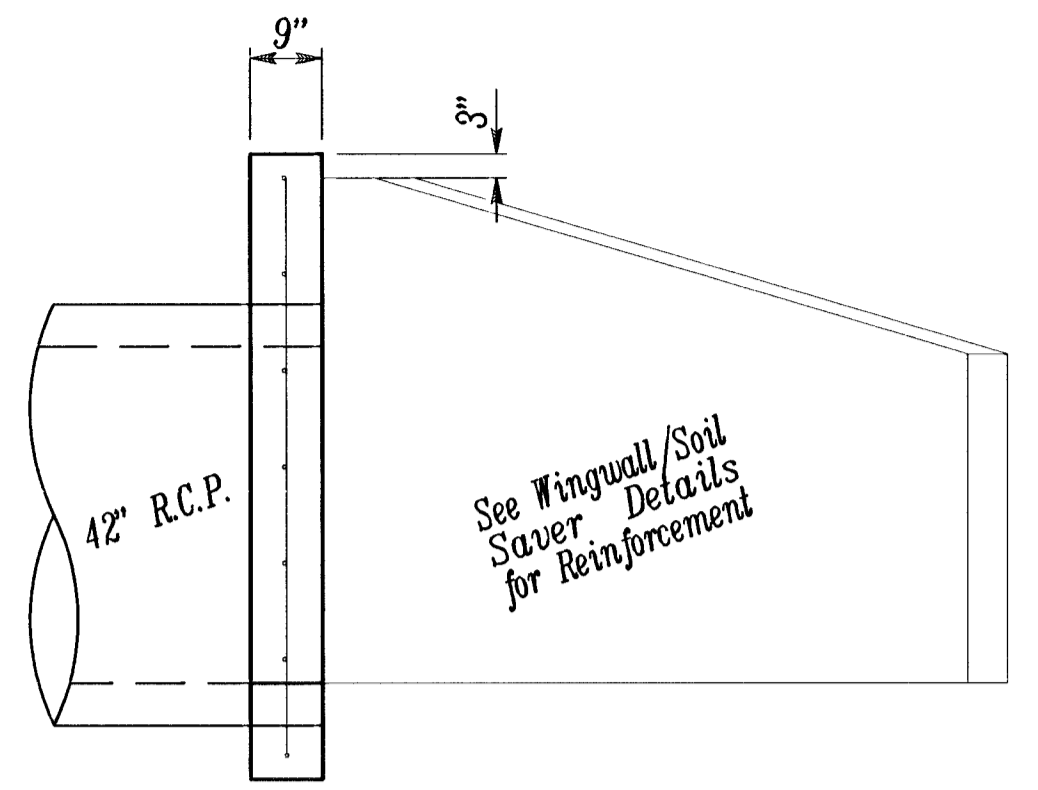
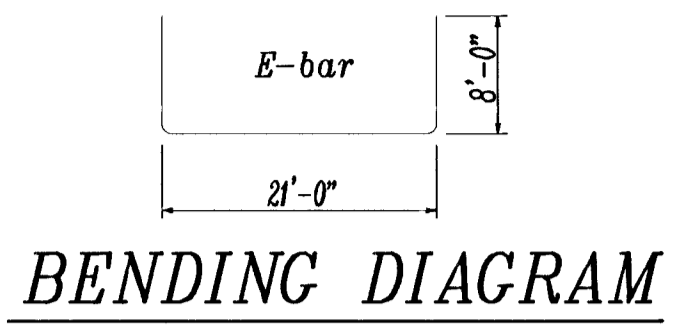


**FRONT**

NOTE: ALL REINFORCING STEEL SHALL BE SPACED 12" UNLESS OTHERWISE NOTED

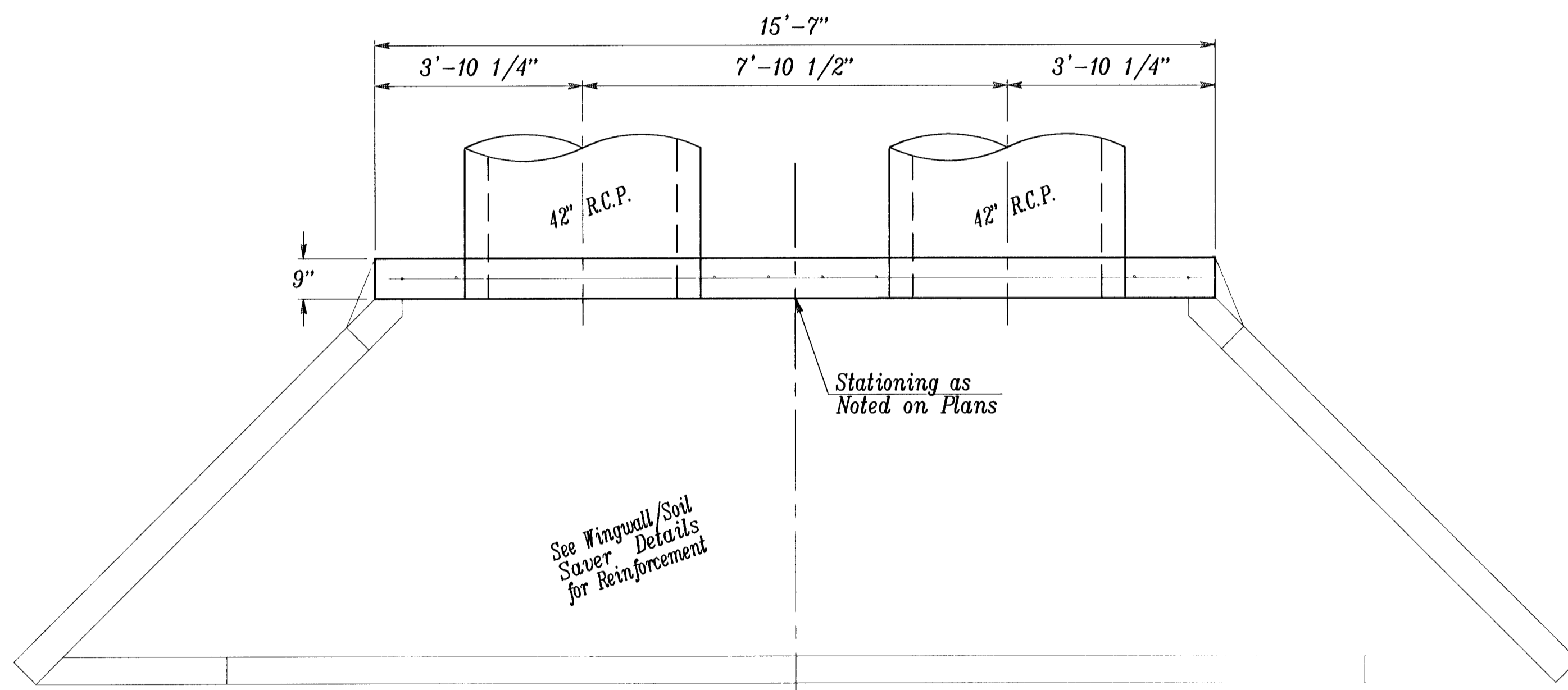


**SECTION**

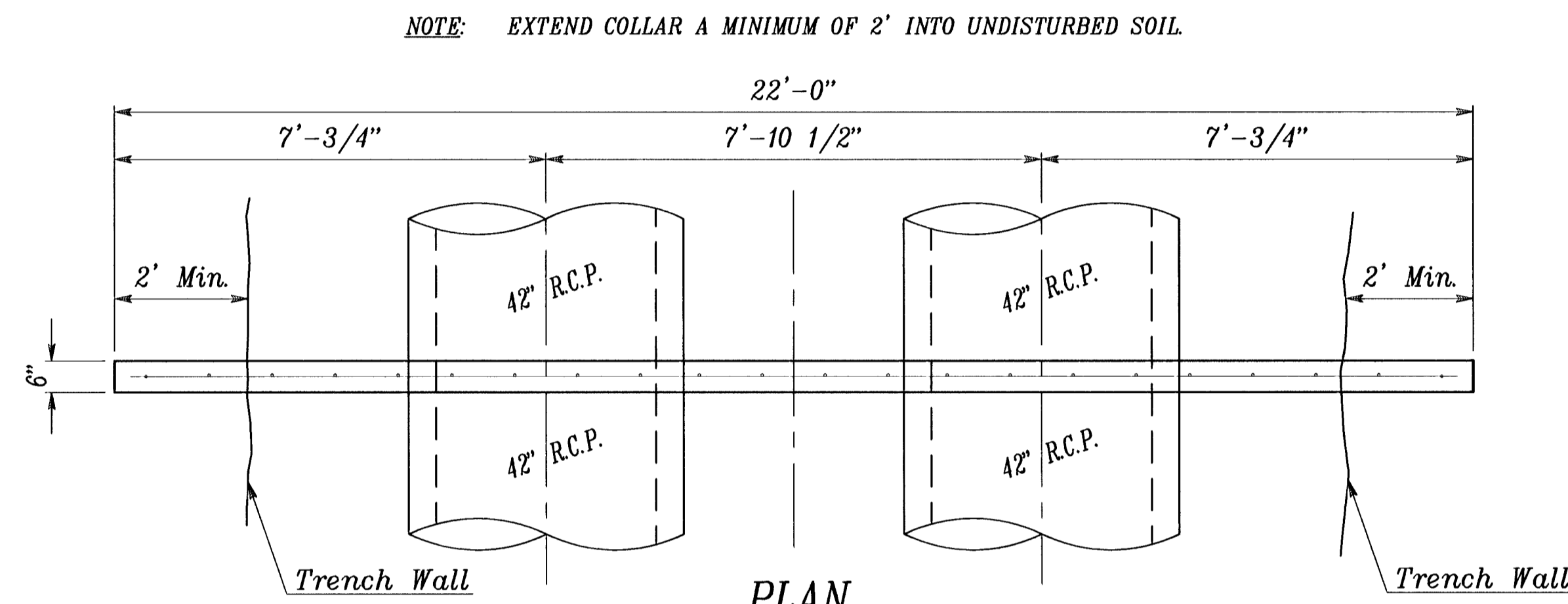


2-42" COLLAR RE-BAR SCHEDULE				
Mark	Shape	No.	Length	Weight
E		1	37'-0"	25.46
F		12	7'-9"	63.98
C		4	21'-6"	59.17
H1		14	3'-8"	35.32
H2		6	2'-4"	9.63
I		12	1'-10"	15.14
Total Rebar			209	Lbs.
Concrete			2.91	C.Y.

All Concrete Reinforcement to be #4 bars.



**PLAN**

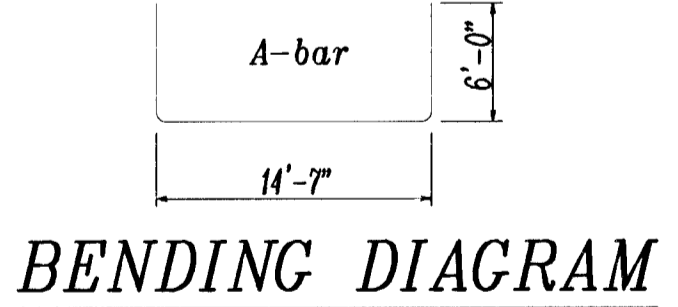


**PLAN**

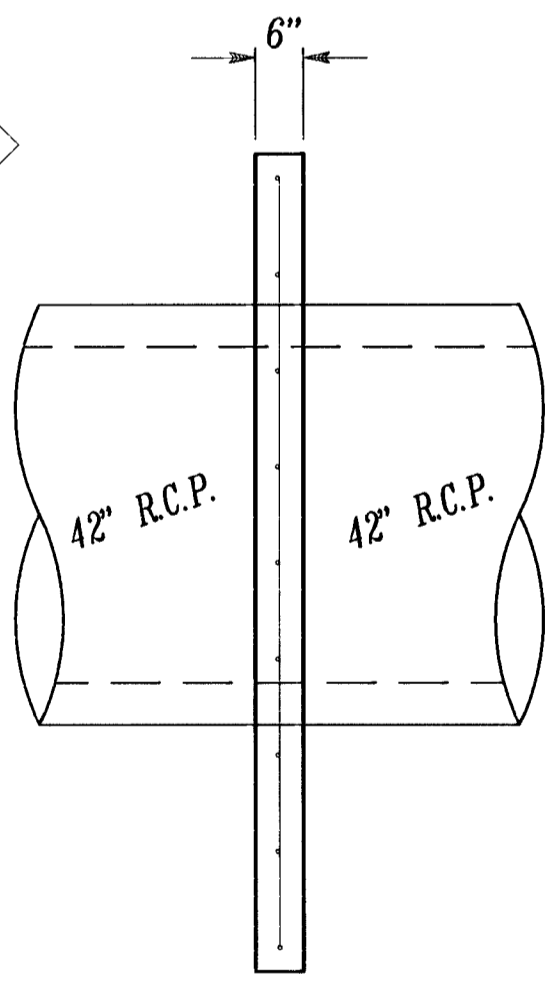
NOTE: EXTEND COLLAR A MINIMUM OF 2' INTO UNDISTURBED SOIL.

HEADWALL RE-BAR SCHEDULE				
Mark	Shape	No.	Length	Weight
A		1	26'-7"	18.29
B		6	5'-9"	23.74
C		2	15'-1"	20.75
D1		6	3'-8"	15.14
D2		6	2'-4"	9.63
Total Rebar			88	Lbs.
Concrete			1.98	C.Y.

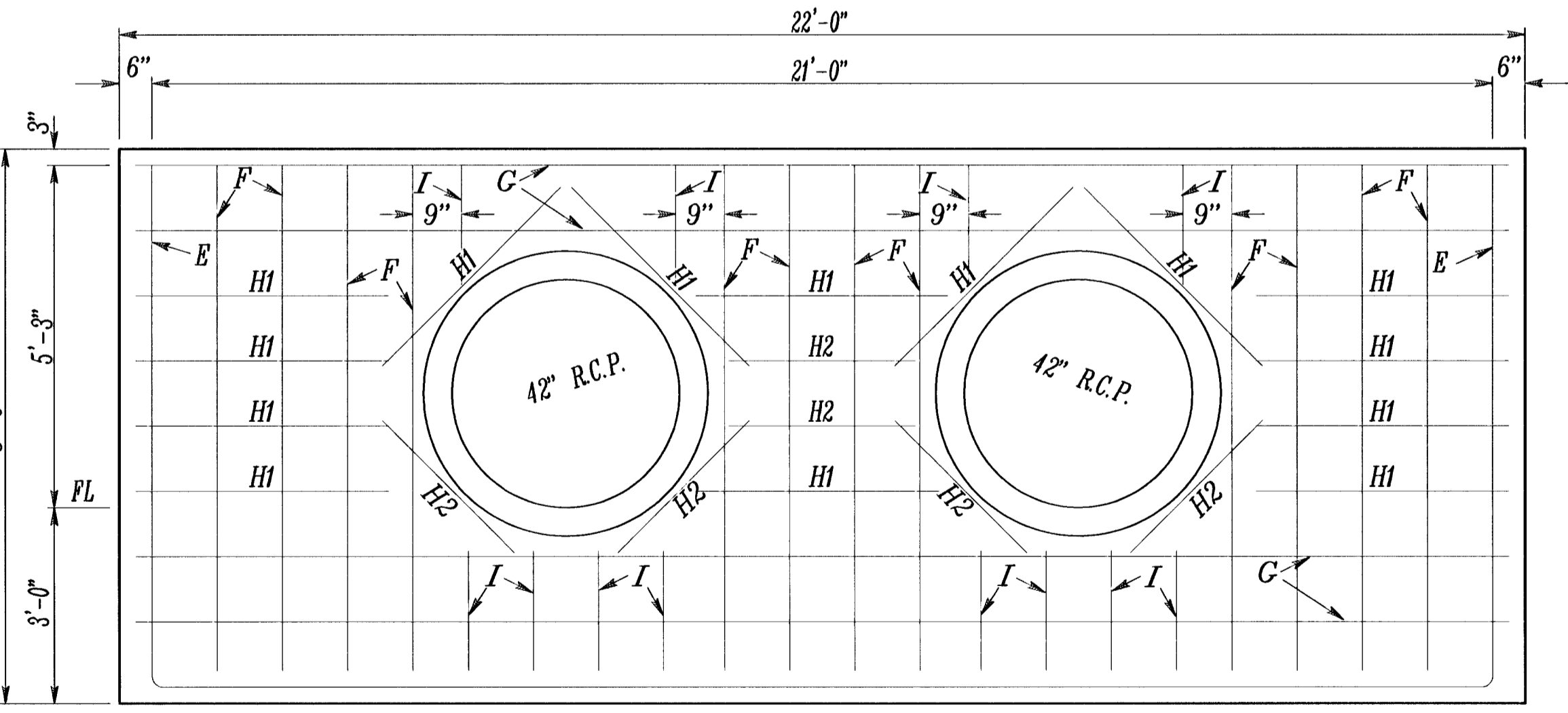
All Concrete Reinforcement to be #4 bars.



**BENDING DIAGRAM**



**SECTION**



**FRONT**

NOTE: ALL REINFORCING STEEL SHALL BE SPACED 12" UNLESS OTHERWISE NOTED

**CONCRETE HEADWALL/COLLAR NOTES**

**CONCRETE:** BEVEL ALL EXPOSED EDGES WITH A 3/4" TRIANGULAR MOLDING OR FINISH WITH AN APPROVED EDGING TOOL. CONCRETE SHALL BE AS PER CITY OF WICHITA STANDARD SPECIFICATIONS FOR CONCRETE PAVING MIX EXCEPT THAT IT SHALL HAVE A MINIMUM 28 DAY COMPRESSIVE STRENGTH OF 4,000 P.S.I. ALL PIPES SHALL BE FLUSH CUT PRIOR TO BEING CAST INTO THE HEADWALL.

**REINFORCING STEEL:** ALL DIMENSIONS RELATIVE TO REINFORCING STEEL ARE TO CENTERLINE OF BAR UNLESS OTHERWISE NOTED. ALL CLEARANCES SHALL BE 2" UNLESS OTHERWISE NOTED. ALL REINFORCING STEEL SHALL CONFORM TO A.S.T.M. DESIGNATION A615 GRADE 60 AND SHALL BE EPOXY COATED.

**PAYMENT:** A DEDUCTION IN CONCRETE QUANTITIES HAS BEEN MADE FOR THE PIPE OPENINGS. THE "2-42" HEADWALL/COLLAR (REINFORCED CONCRETE) OR "48" HEADWALL/COLLAR (REINFORCED CONCRETE)" SHALL BE PAID FOR AT THE UNIT PRICE BID PER EACH IN PLACE INCLUDING CONCRETE, REINFORCING STEEL, EXCAVATION AND ALL OTHER MISCELLANEOUS MATERIALS, LABOR, TOOLS, EQUIPMENT AND INCIDENTALS NECESSARY TO COMPLETE THE WORK. QUANTITIES SHOWN ARE FOR INFORMATION ONLY.

**2-42" HEADWALL/COLLAR DETAIL**

16: APPS\DC\APP\GSA\BASE-ST.dwg Thu Mar 21 14:29:38 2002 Bernard NUI:1a - POE & ASSOCIATES OF KANSAS INC.

EQUESTRIAN ESTATES - PHASE 1 STREET IMPROVEMENTS 2-42" HEADWALL/COLLAR DETAILS CITY OF WICHITA, KANSAS MICHAEL E. UNDEBAK, P.E. - CITY ENGINEER C.O.W. Project # 472-83424 O.C.A. # 765705	No. <input type="checkbox"/> <input type="checkbox"/> <input type="checkbox"/> <input type="checkbox"/>	Date <input type="checkbox"/> <input type="checkbox"/> <input type="checkbox"/> <input type="checkbox"/>	By <input type="checkbox"/> <input type="checkbox"/> <input type="checkbox"/> <input type="checkbox"/>	Approved <input type="checkbox"/> <input type="checkbox"/> <input type="checkbox"/> <input type="checkbox"/>
	POE & ASSOCIATES OF KANSAS INC. CONSULTING ENGINEERS 5940 E Central, Suite 200 • Wichita, KS 67208-4242 Phone 316/685-4114 • FAX 316/685-4444			
	FINAL Designed By: J. Ubert / J. Dickman Drawn By: J. Dickman POC Job No.: 1694A Date: March, 2002			