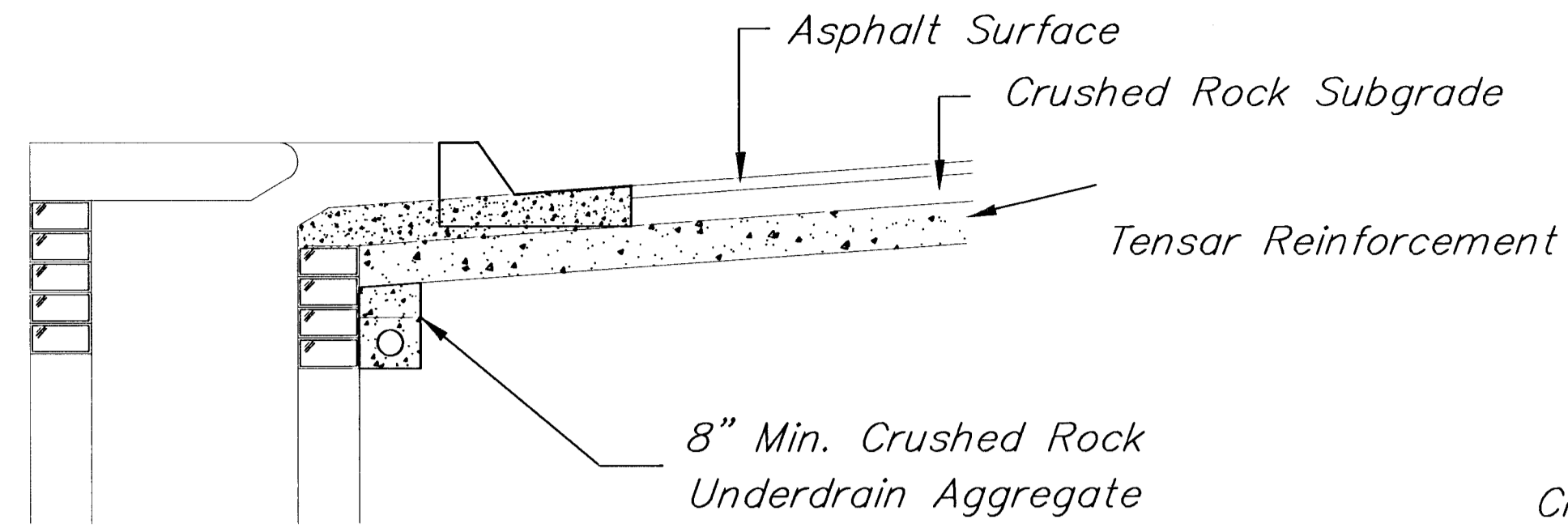


8" Min. Crushed Rock Underdrain Aggregate



8" Min. Crushed Rock Underdrain Aggregate

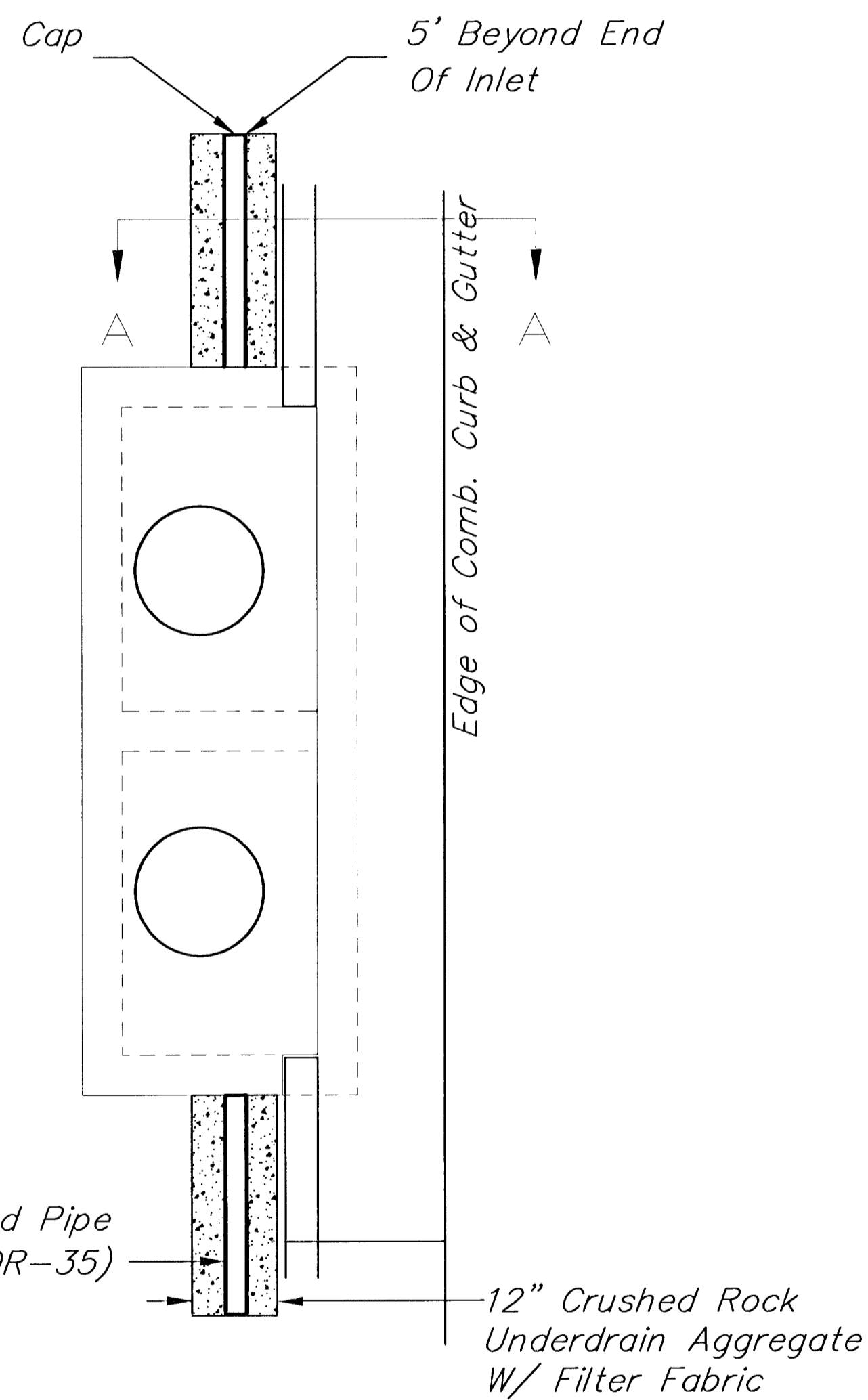
(Min. 16 Perforations Per Lin. Ft. @ 1/4" Dia.)
Perforations To Be on Bottom Half

SECTION A-A

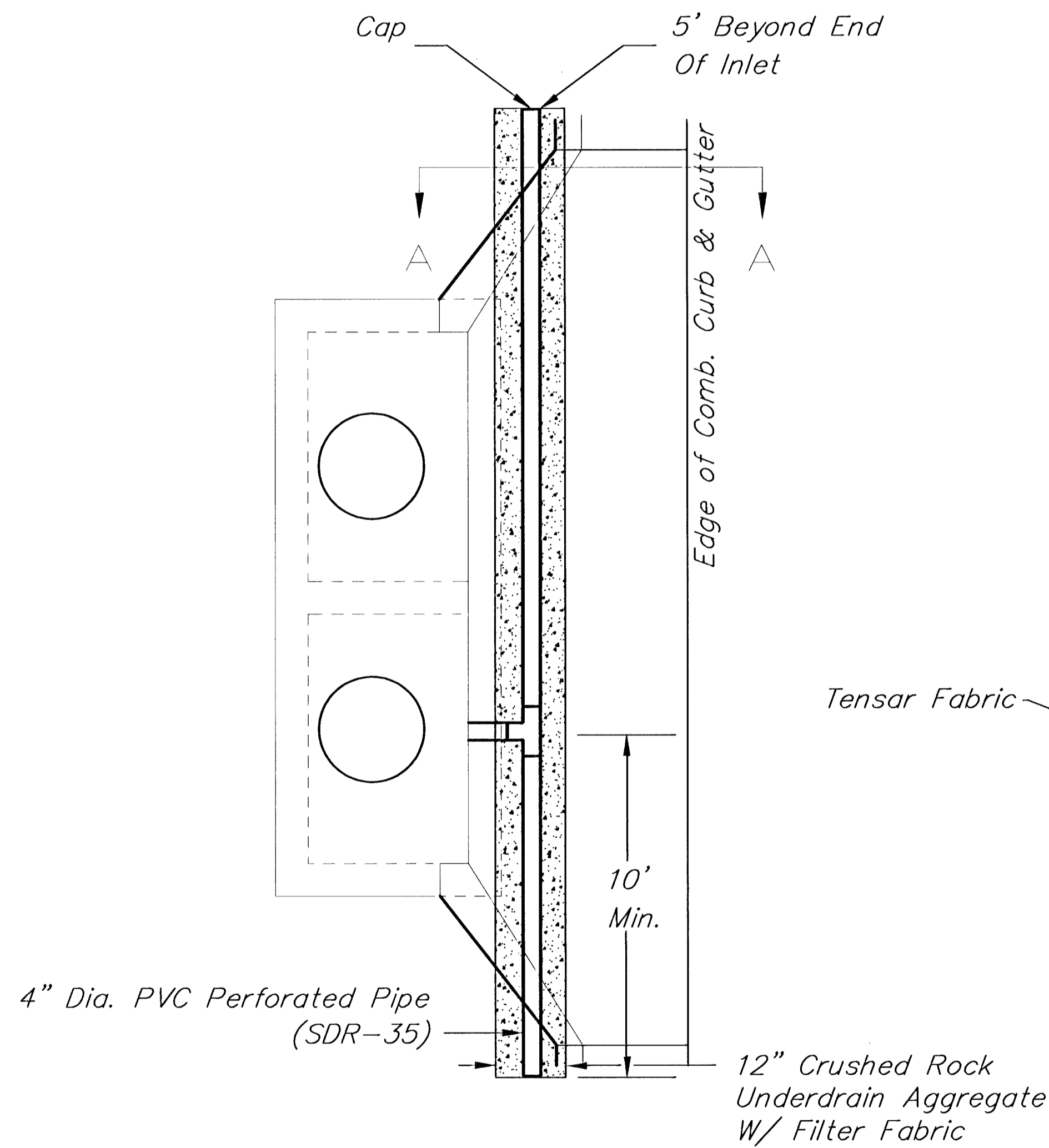
CRUSHED ROCK GRADATION REQUIREMENTS
Percent of Aggregate Retained

1 1/2"	0
3/4"	15-60
# 4	40-80
#40	74-92
P-200	4-12

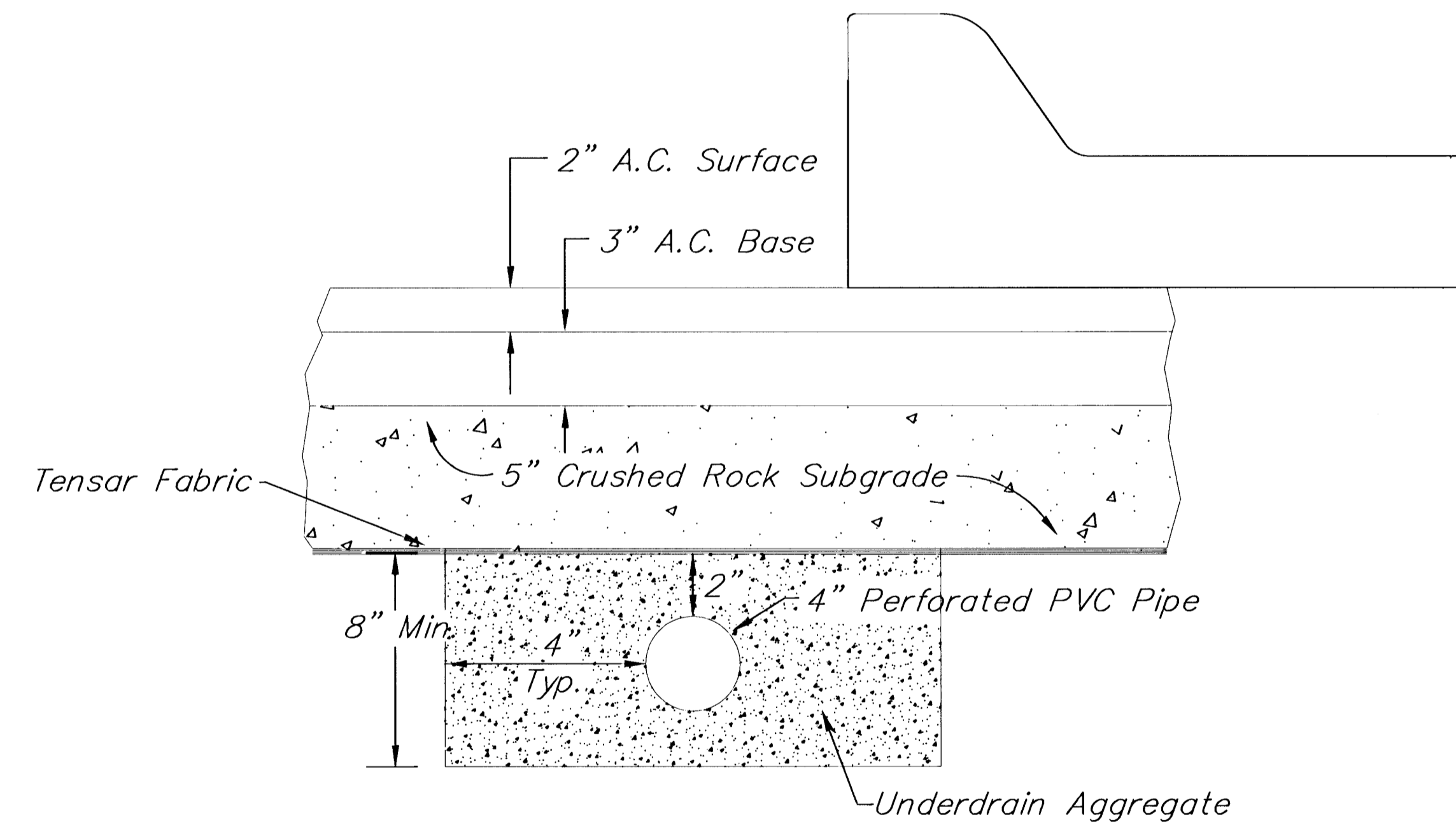
Rock Quality Shall Be The Same As Specified
For Coarse Aggregate For Asphalt Concrete Mixes.



Type 1 & 2 Inlet



Type 1-A Inlet



NOTE: Place 4" PVC Perforated Pipe at all drainage sump locations.

Cost of Underdrain System to be incidental to the Reinforced Crushed Rock Subgrade.

G:\APPS\UDA\1\694\BASE-S1.dwg Thu Mar 21 14:30:20 2002 Bernard Kujala - PDE & ASSOCIATES OF KANSAS INC.

SUN 2/24/02

THE CITY OF WICHITA

 CITY ENGINEER'S OFFICE
 CITY HALL - SEVENTH FLOOR
 452 NORTH MAIN STREET
 WICHITA, KANSAS 67202
 (316) 268-4591
 (316) 268-4114 FAX

PAVEMENT UNDERDRAIN DETAIL	
M. E. LINDEBAK P.E. - CITY ENGINEER	
PROJECT NUMBER 472-83424	INDEX CODE 765705
DATE MAR 96	SHEET 98 OF 112

FINAL

Designed By: J. Ubert / J. Dickman
 Drawn By: J. Dickman
 Pce Job No.: 1694A
 Date: March, 2002

EQUESTRIAN ESTATES - PHASE 1
 STREET IMPROVEMENTS
 PAVEMENT DETAILS
 CITY OF WICHITA, KANSAS
 MICHAEL E. LINDEBAK, P.E. - CITY ENGINEER
 C.O.W. Project # 472-83424 O.C.A. # 765705

POE & ASSOCIATES OF KANSAS, INC.
 CONSULTING ENGINEERS
 5940 E. Central, Suite 200 ■ Wichita, KS 67208-4242
 Phone 316/685-4114 ■ FAX 316/685-4444

