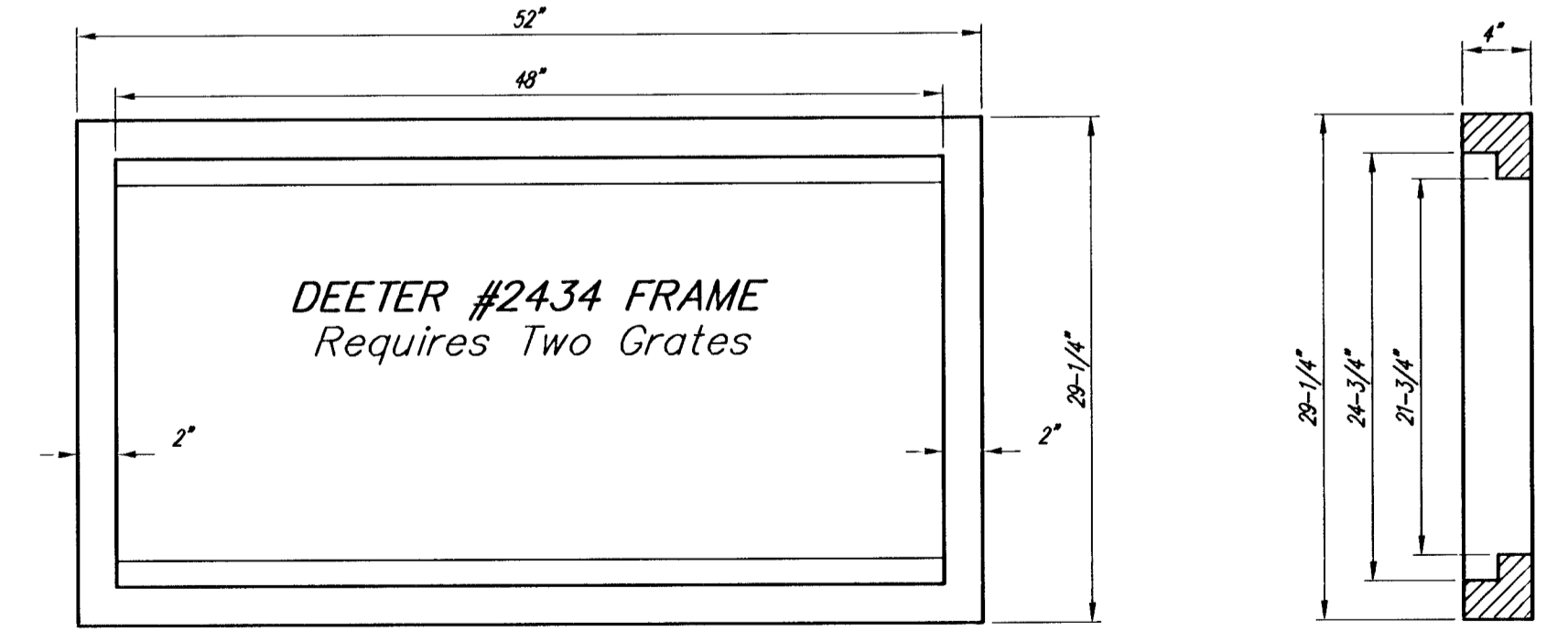


DEETER #2433 GRATE

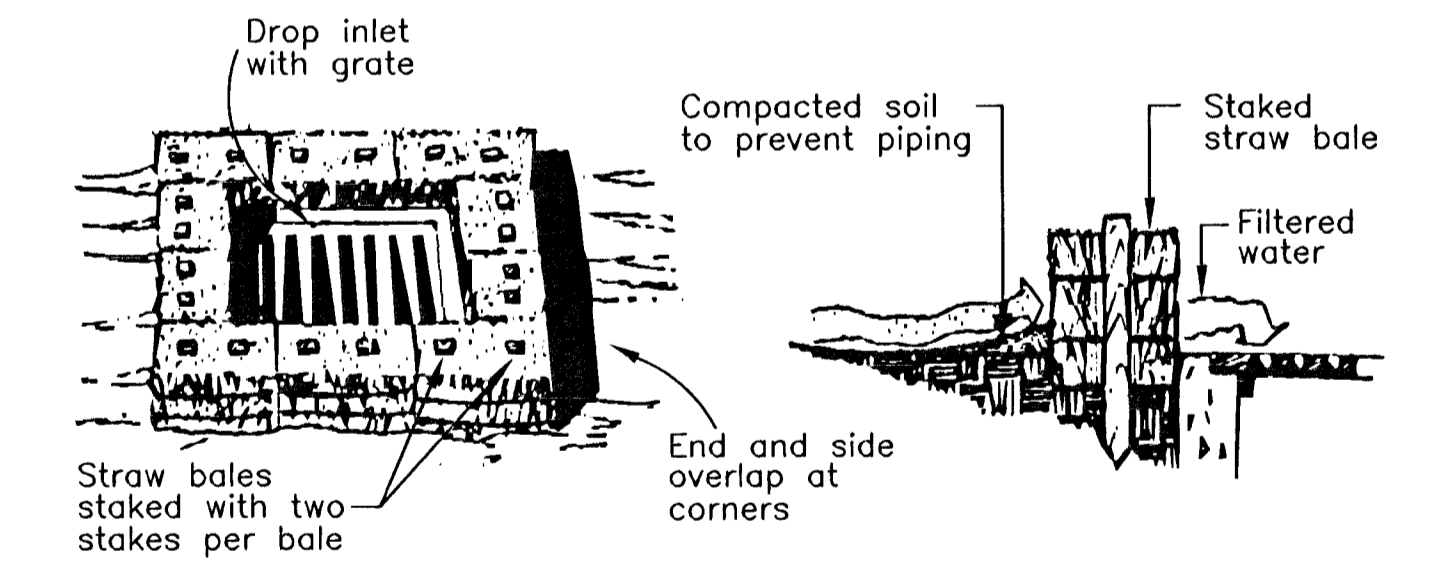
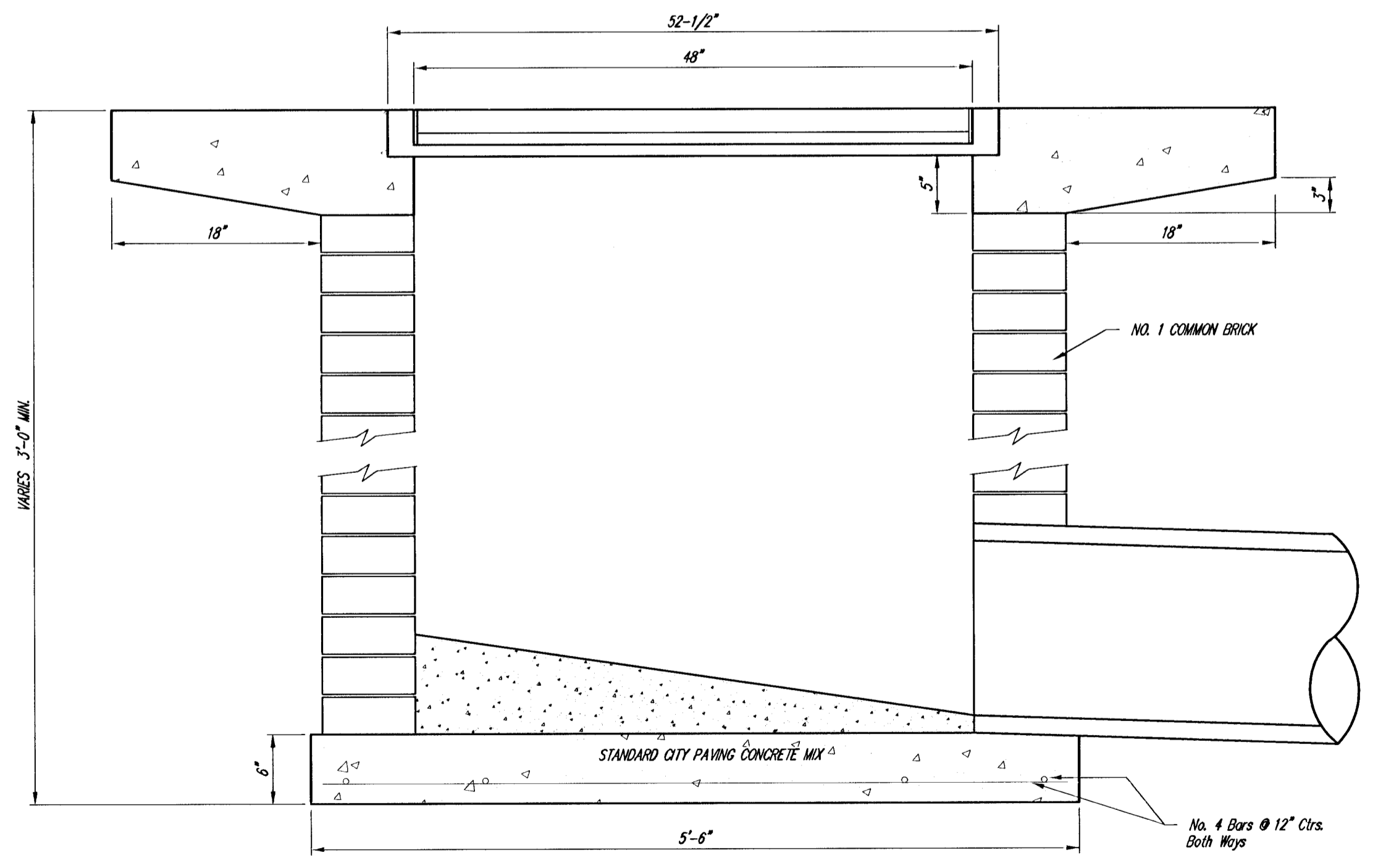
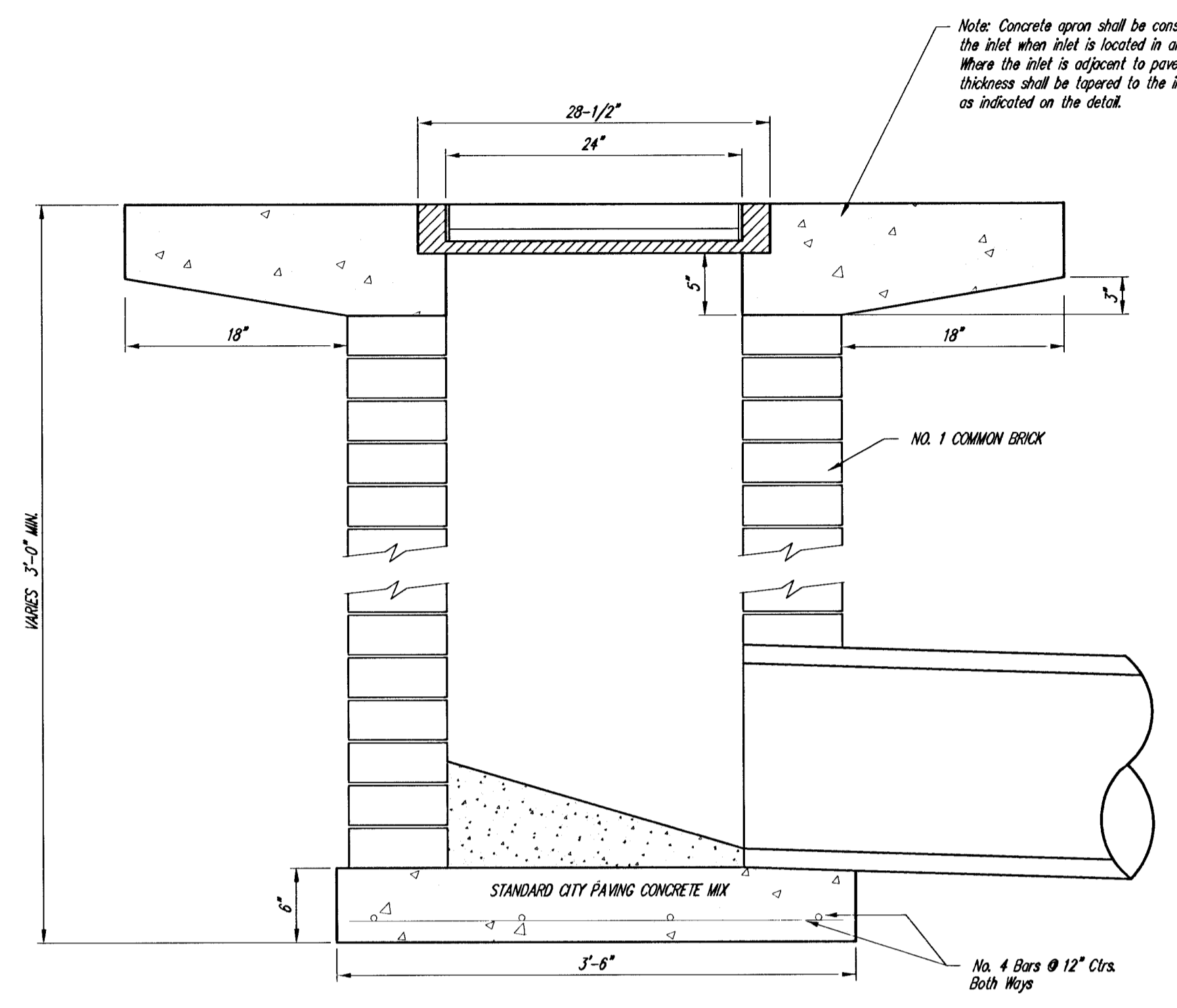
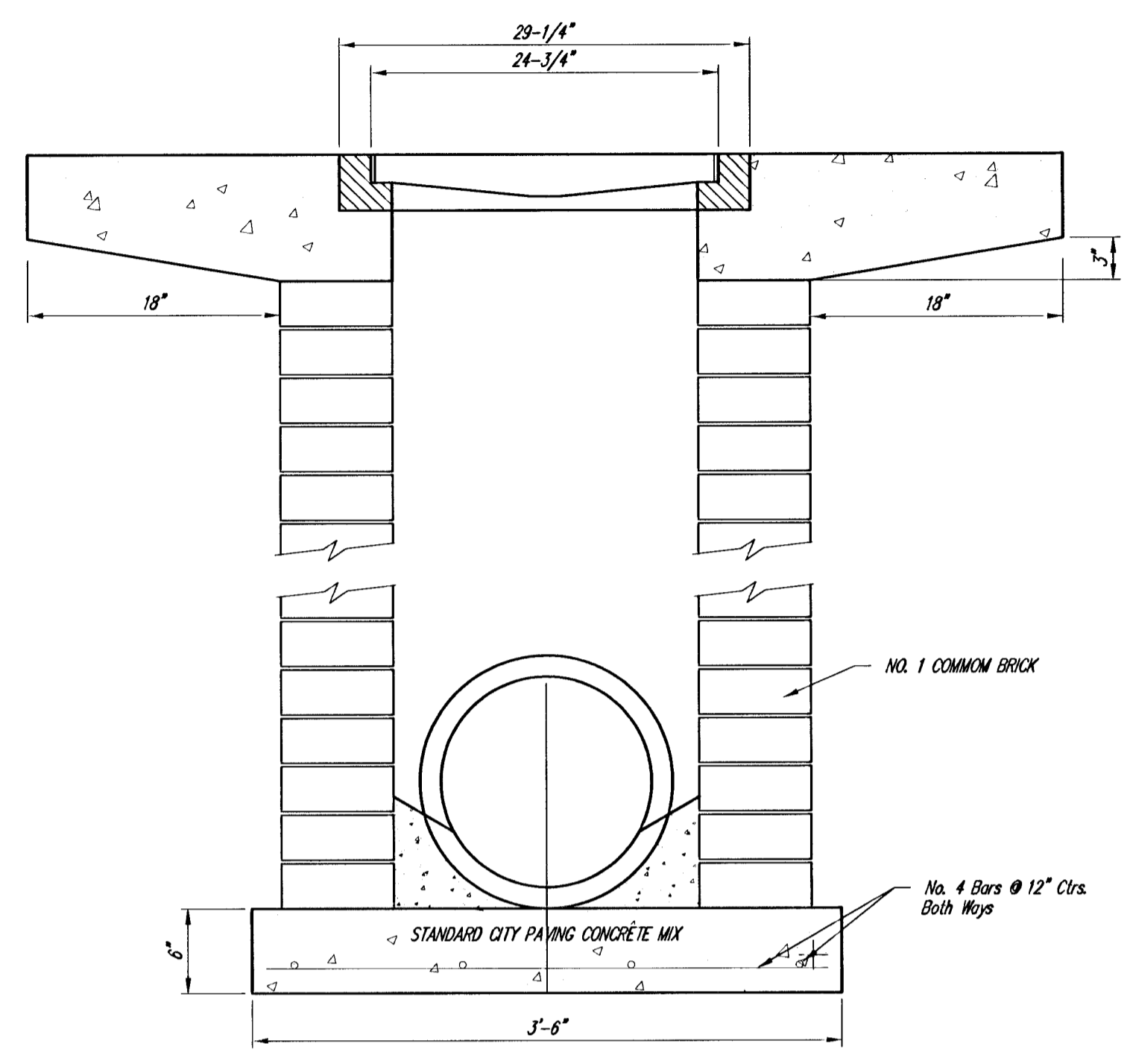
24" x 24" Frame and Grate Detail



DEETER #2434 FRAME  
Requires Two Grates

Double 24" x 24" Frame Detail

NOTE: Grates shall be imprinted on the top surface with "CITY OF WICHITA" using letters at least 1" in height. Other marking methods may be approved by the engineer.



HAY BALE SEDIMENT BARRIER

THE CITY OF WICHITA  
  
 CITY ENGINEER'S OFFICE  
 CITY HALL - SEVENTH FLOOR  
 453 NORTH MAIN STREET  
 WICHITA, KANSAS 67202  
 (316) 268-4500  
 (316) 268-4114 Fax

**DROP INLET**  
 2' X 2'-2" X 4'

M. E. LINDEBAK P.E. - CITY ENGINEER

PROJECT NUMBER: 472-83424 INDEX CODE: 765705

DATE: MAR 96 SHEET 99 OF 112

EQUESTRIAN ESTATES - PHASE 1	
STREET IMPROVEMENTS	
DROP INLET/HAY BALE SEDIMENT BARRIER	
CITY OF WICHITA, KANSAS	
MICHAEL E. LINDEBAK, P.E. - CITY ENGINEER	
C.O.W. Project # 472-83424 O.C.A. # 765705	
POE & ASSOCIATES OF KANSAS, INC.	CONSULTING ENGINEERS
5900 E. Central, Suite 200 • Wichita, KS 67208-4242	
Phone 316/685-4114 • FAX 316/685-4444	
Designed By: J. Ubert / J. Dickman	Drawn By: J. Dickman
Poe Job No.: 1694A	Date: March, 2002
Sheet	
99 of 112	