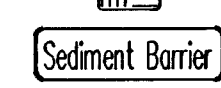
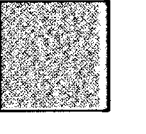
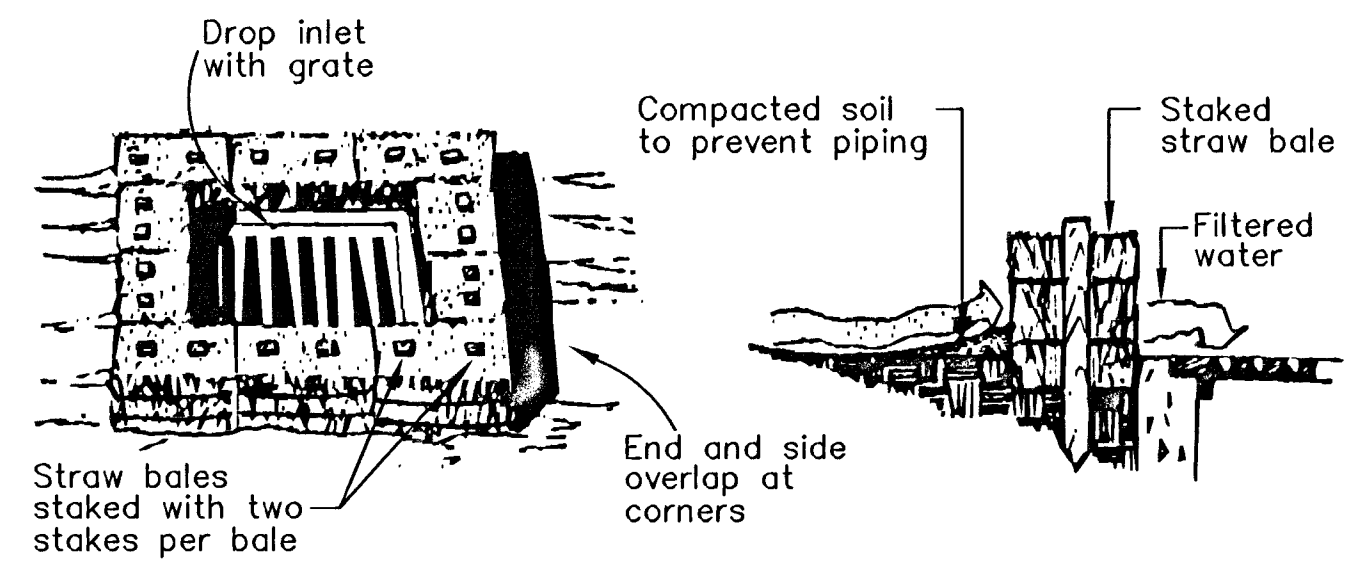
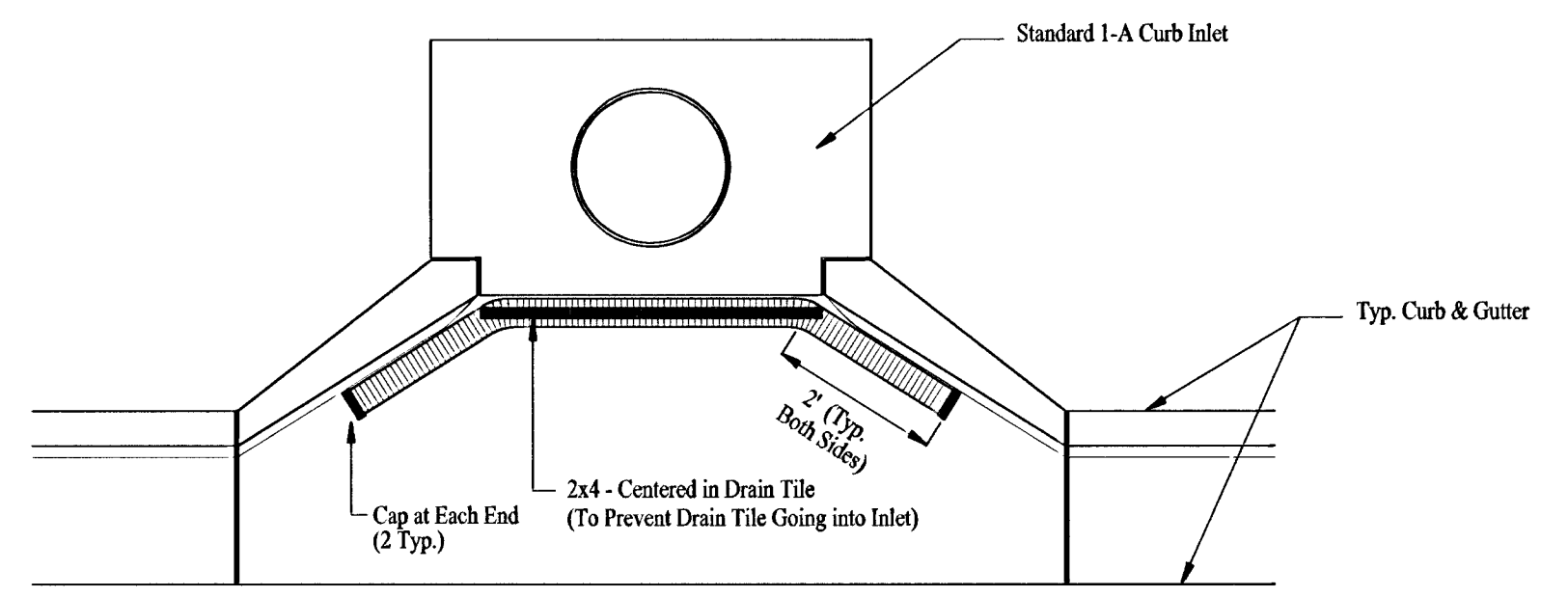
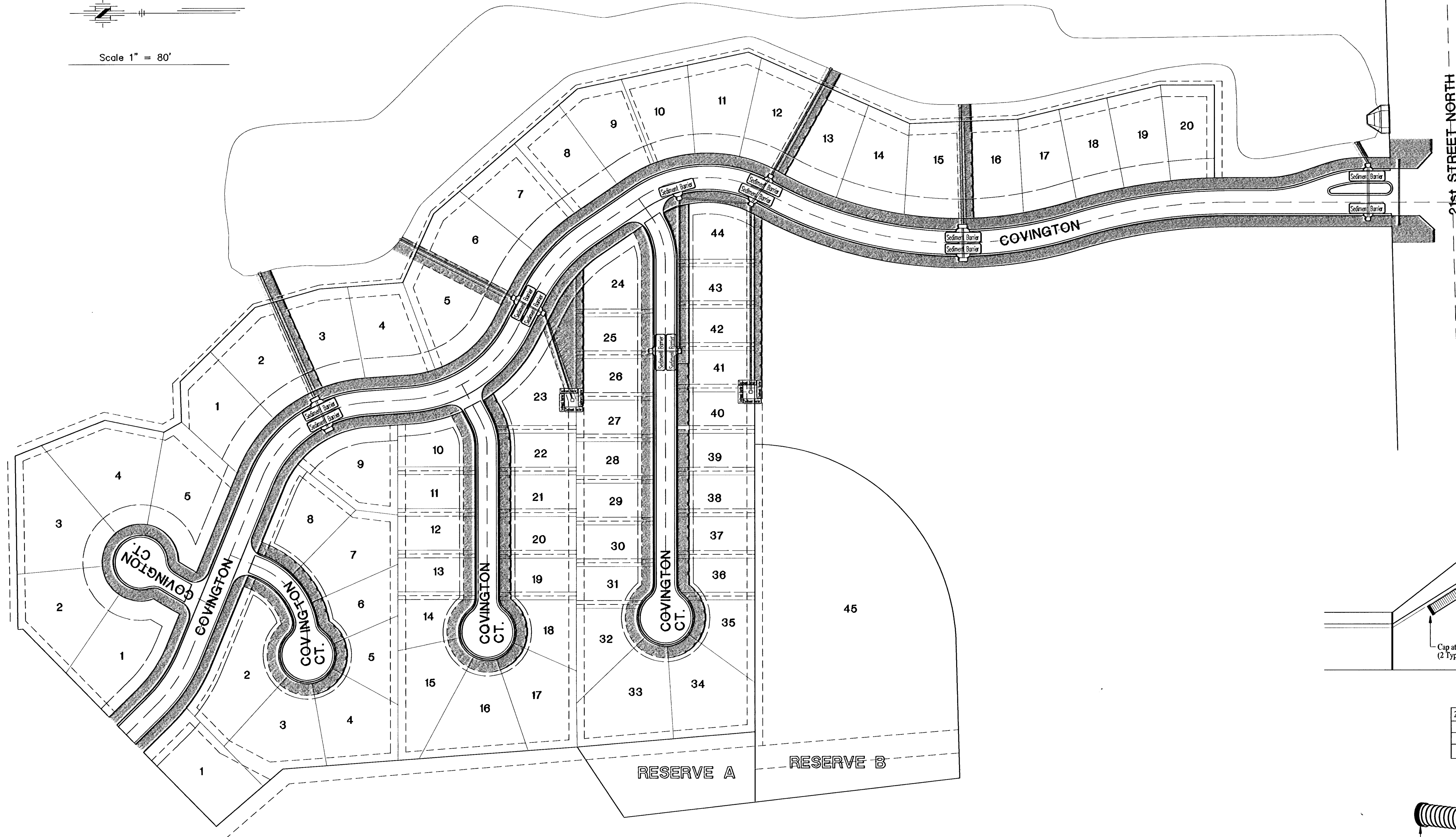
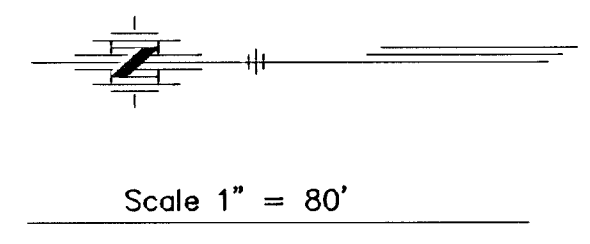


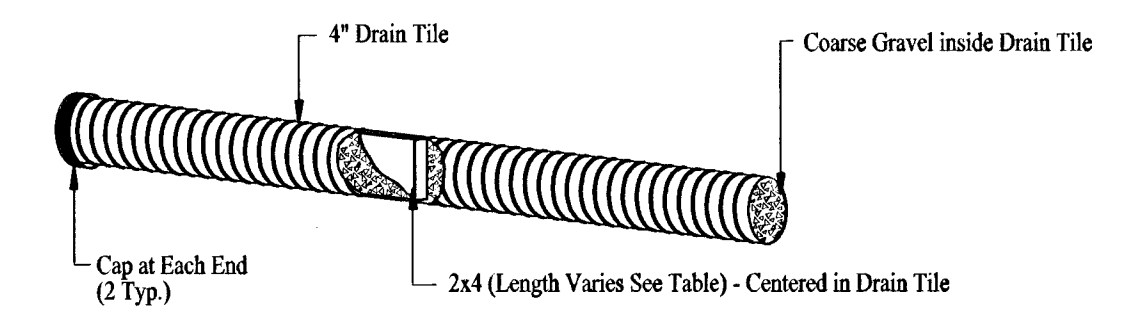
-  Sediment Barrier Needed
(Drain Tile or Staked Hay Bales)
-  Seed All Disturbed Areas
(Seed with Temporary Rye Grass
at 250 lbs/acre and Fertilize & Mulch
according to City of Wichita specs.)
(3 Acres)



HAY BALE SEDIMENT BARRIER



2x4 LENGTH	INLET TYPE	INLET OPENING
5'-6"	1-A	5'-0"
10'-6"	1-A	10'-0"
15'-6"	1-A	15'-0"



Curb Inlet Sediment Barrier Detail

No.	Date	By	Approved	Revision
1				
2				
3				

THE LOCHS AT ABERDEEN
STREET IMPROVEMENTS
STORM WATER POLLUTION PREVENTION PLAN
CITY OF WICHITA, KANSAS
MICHAEL E. LINDERBAK, P.E. - CITY ENGINEER
Proj.# 472-83359 O.C.# 765881

POE & ASSOCIATES OF KANSAS, INC.
CONSULTING ENGINEERS
5940 E. Central, Suite 200 ■ Wichita, KS 67208-4242
Phone 316/685-4114 ■ FAX 316/685-4444

FINAL

Engineer: J. Ubert
Drawn By: B. Kulla
Poe Job No.: 1656B
Date: May 2001

G:\APPS\DCAP\6560\base.dwg P1: Jun 15 15:43:55 2001 Bernard Kulla - POE & ASSOCIATES OF KANSAS, INC.