

RE-BAR SCHEDULE				
Mark	Shape	No.	Length	Weight
VI	□	4	8'-10"	23.60
S	—	8	5'-0"	26.72
SI	—	11	3'-6"	25.72
Total Rebars			76.0	Lbs.
Concrete			0.67	C.Y.

All Concrete Reinforcement to be #4 bars.
Quantities shown are for one Area Inlet and are for Information Only.

GENERAL NOTES

CONCRETE SHALL BE C. D. M. STANDARD PAVING MIX. ALL EXPOSED EDGES SHALL BE FINISHED WITH AN APPROVED EDGING TOOL.

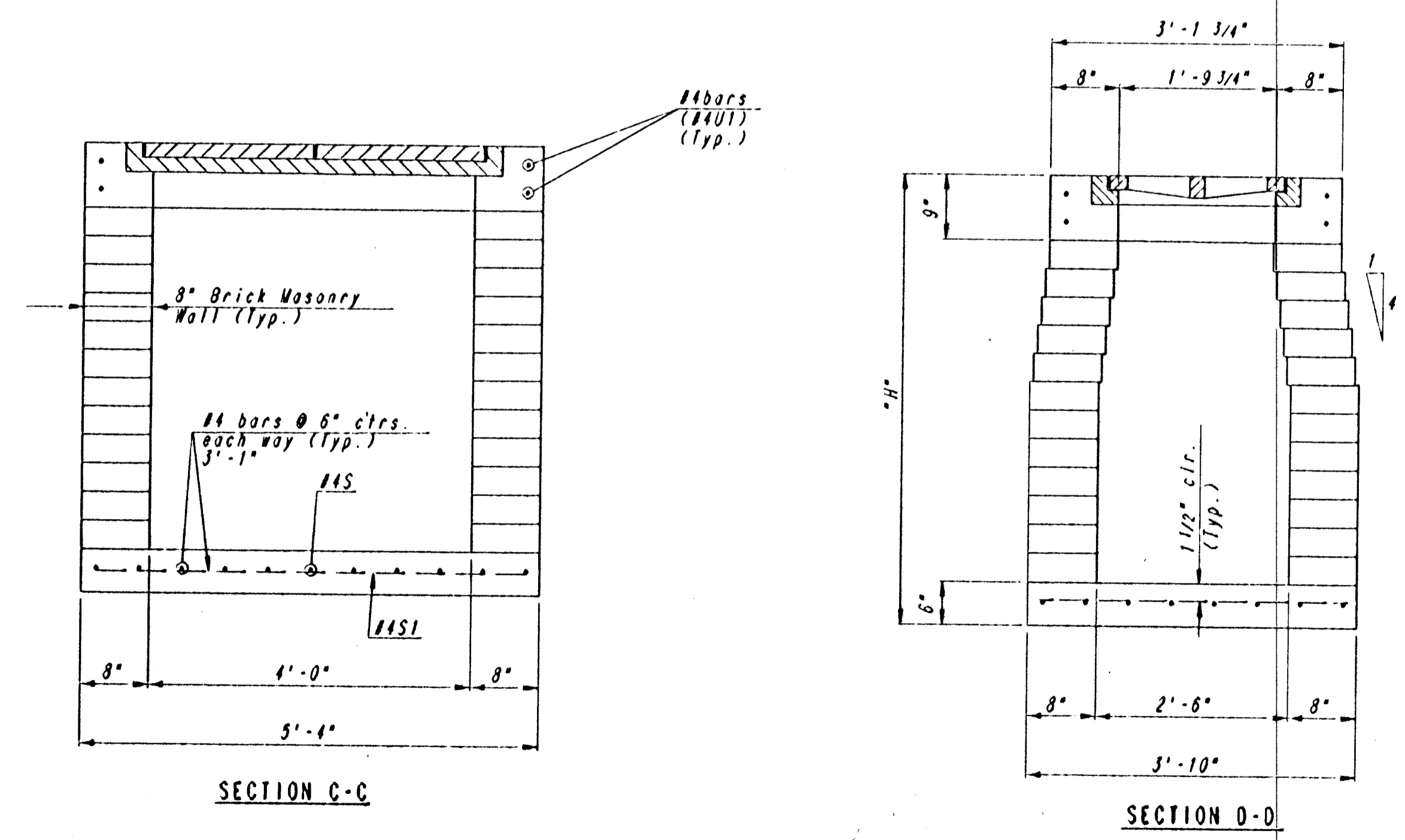
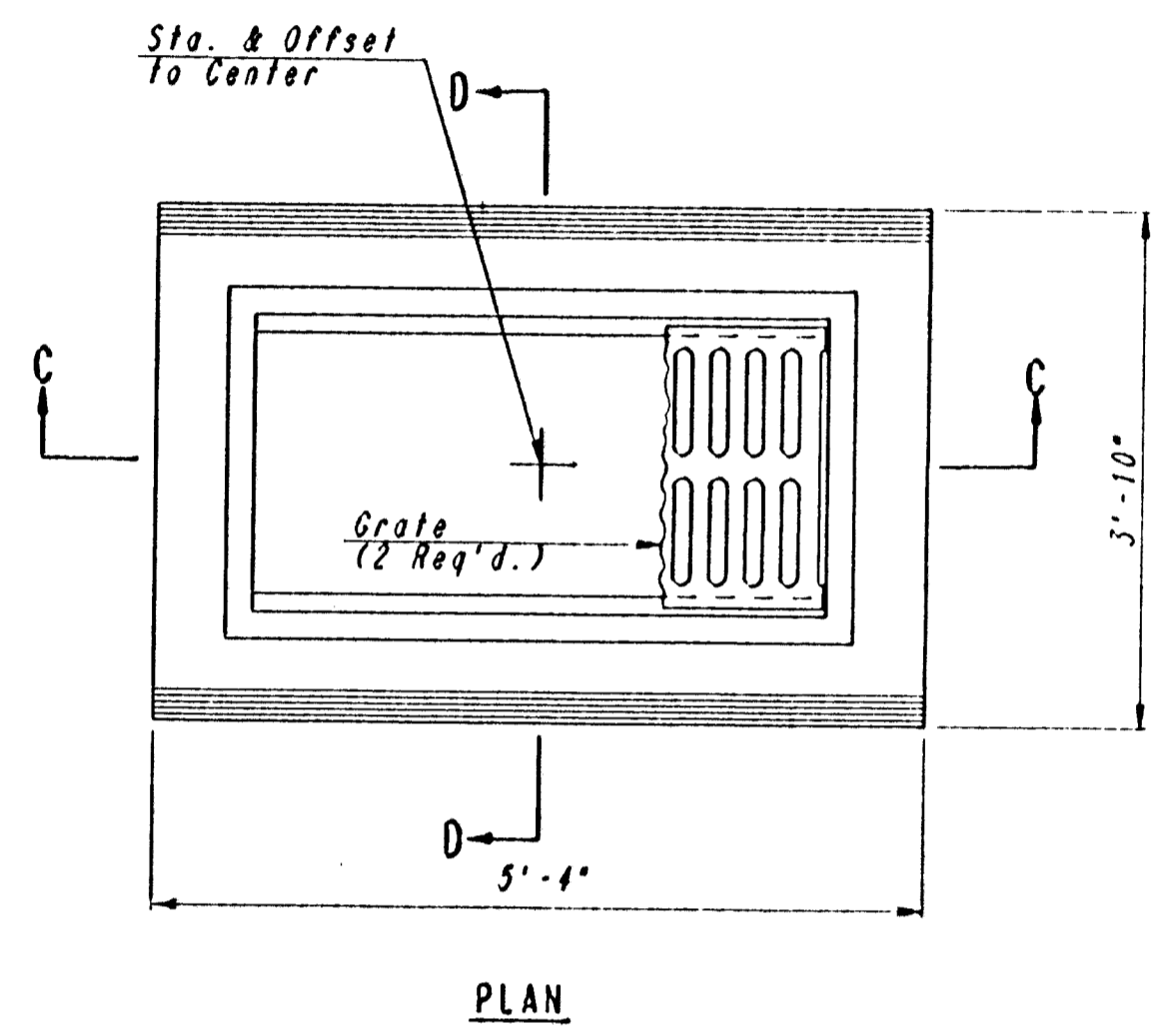
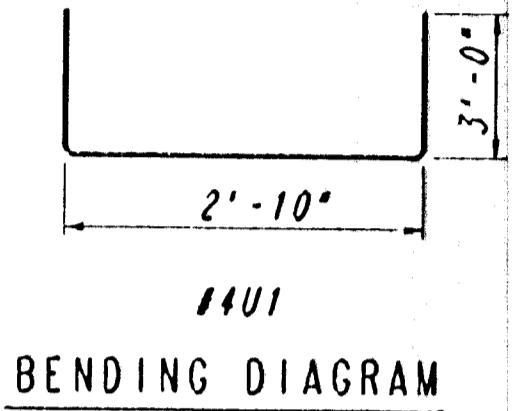
REINFORCING STEEL SHALL BE A MINIMUM GRADE 40, A. S. T. M. A615. ALL DIMENSIONS RELATIVE TO PLACEMENT OF REINFORCING ARE TO THE CENTERLINE OF BARS UNLESS OTHERWISE NOTED.

INLET CASTINGS SHALL BE MANUFACTURED USING GOOD QUALITY GRAY IRON CONFORMING TO CLASS 30 OF A. S. T. M. DESIGNATION A-43. DIMENSIONS AND WEIGHTS SHOWN ON THE DETAILED DRAWINGS SHALL BE CONSIDERED AS MINIMUM REQUIREMENTS AND ANY DEVIATIONS FROM THE DIMENSIONS SHOWN MUST BE SPECIFICALLY APPROVED. THE FINISHED CASTINGS SHALL BE OF UNIFORM QUALITY, FREE FROM BLOWHOLES, POROSITY, HARD SPOTS, SHRINKAGE DISTORTIONS OR OTHER EFFECTS.

CONSTRUCTION REQUIREMENTS AND MATERIALS FOR MASONRY WALLS SHALL CONFORM TO THE SAME REQUIREMENTS AS SPECIFIED FOR TYPE B-SHALLOW MANHOLE (SEE SH. NO. ...).

INLET FLOOR SHALL BE SHAPED WITH UNREINFORCED CLASS A CONCRETE TO CREATE FLOW CHANNELS AND TO INCREASE HYDRAULIC EFFICIENCY SUCH THAT THE INLET WILL BE SELF-CLEANING BETWEEN ALL INLET AND/OR OUTLET PIPES.

AREA INLETS (TYPE I) SHALL BE MEASURED AND PAID FOR AT THE CONTRACT UNIT PRICE BID PER EACH. THIS SHALL BE CONSIDERED FULL COMPENSATION FOR ALL EXCAVATION, BACKFILLING, MATERIALS, LABOR, CONNECTION TO EXISTING STRUCTURES (IF REQUIRED), EQUIPMENT, TOOLS, AND INCIDENTALS NECESSARY TO COMPLETE THE WORK.



AREA INLET (TYPE I)
Sta. 0+82.40 Line No. 5
@ East Bound Sta. 60+50.00, 80.0' Rt.

DRAWING NAME: 32-82005 AREA INLET (TY I)
CENTER COORDINATES:
ROTATION ANGLE:
DATE LAST WORKED ON: 1/20/95
BRENT REISBERG

HELLMUTH, OBATA & KASSEBAUM, INC. DALLAS, TEXAS		MUSEUM DISTRICT ROADWAY AND PEDESTRIAN IMPROVEMENTS WICHITA, KANSAS				
PROFESSIONAL ENGINEERING CONSULTANTS, P.A. WICHITA, KANSAS						
BRAD J. GOLDBERG DALLAS, TEXAS		AREA INLET (TYPE I)				
REV.	DATE	DESCRIPTION	PROJECT NO.	ISSUE DATE 17 JULY 1997	SCALE	SHEET 06