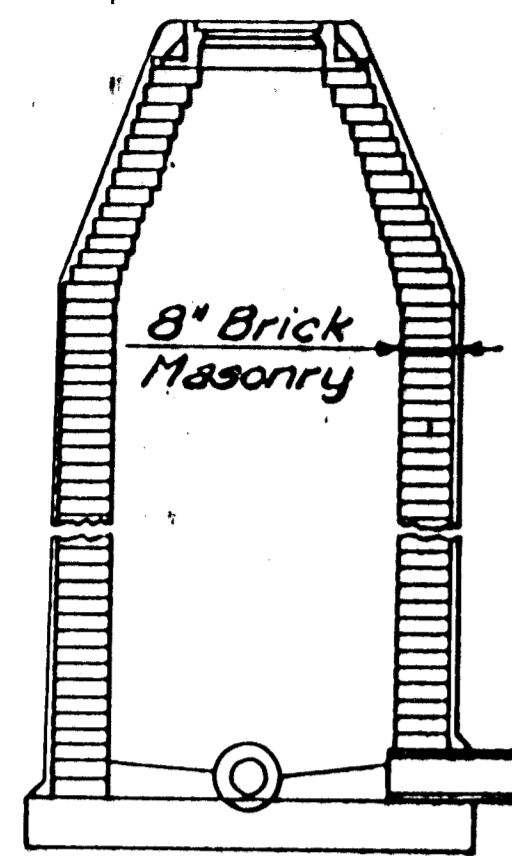
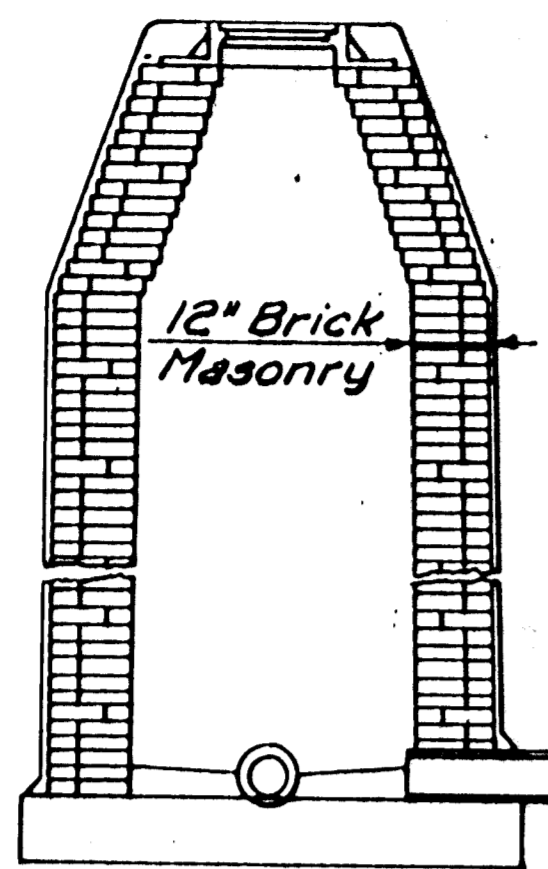


MASTER - KDOT OR COW

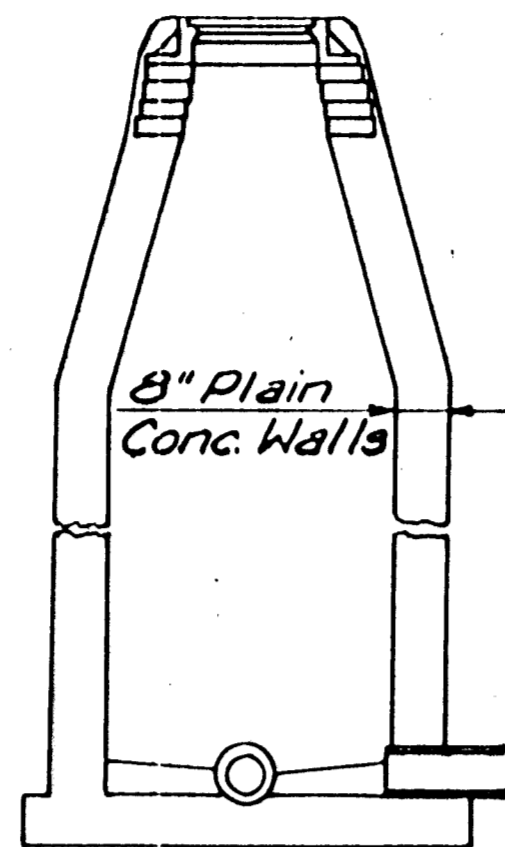
PROJECT NO.	SHEET NO.	TOTAL SHEETS
	012	



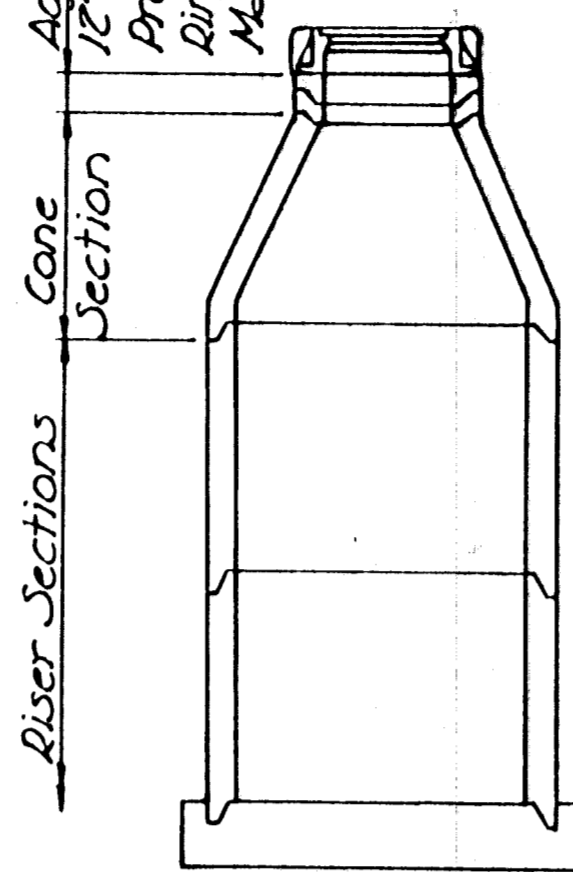
**TYPE A**  
Single Wall Brick Masonry



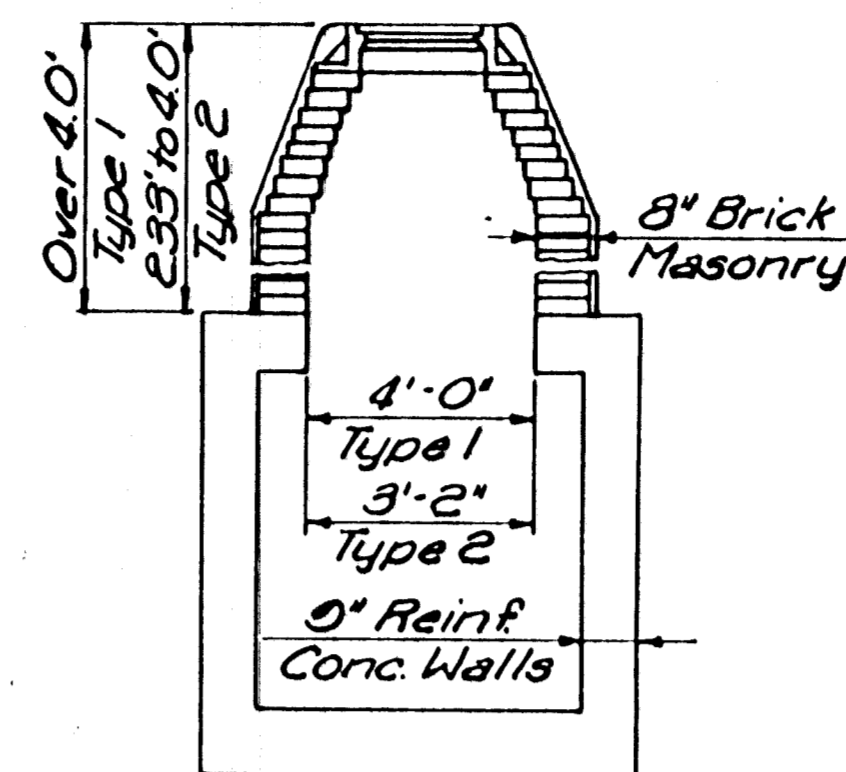
**TYPE B**  
Double Wall Brick Masonry



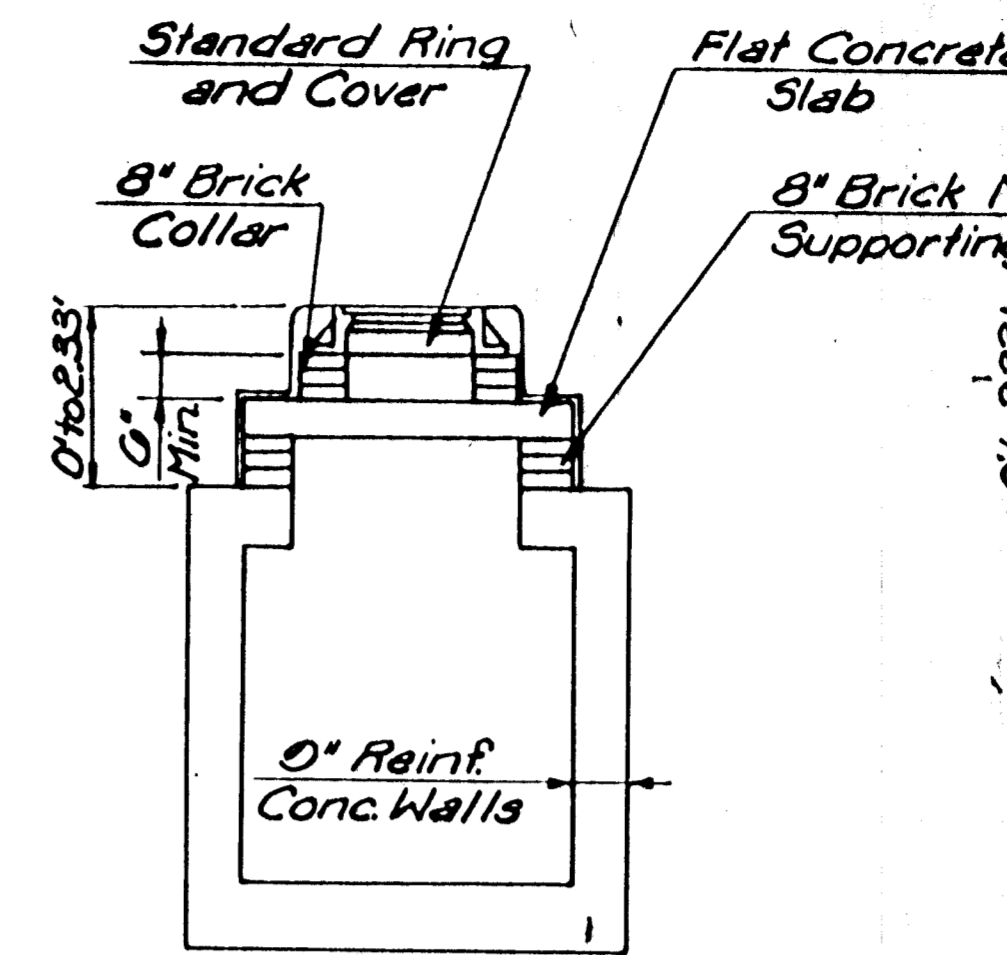
**TYPE C & D**  
Cast in Place  
(Type D has protective coating and brick draw)



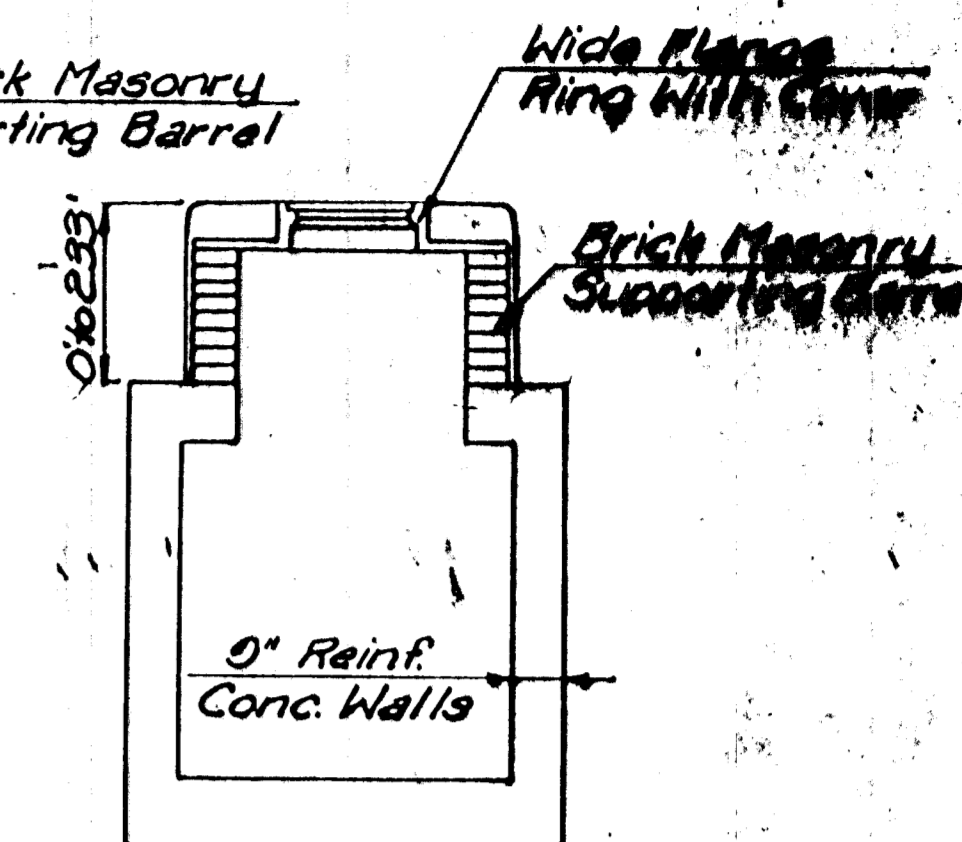
**TYPE P**  
PRECAST CONCRETE



**TYPE 1 & 2**  
Reinforced Concrete

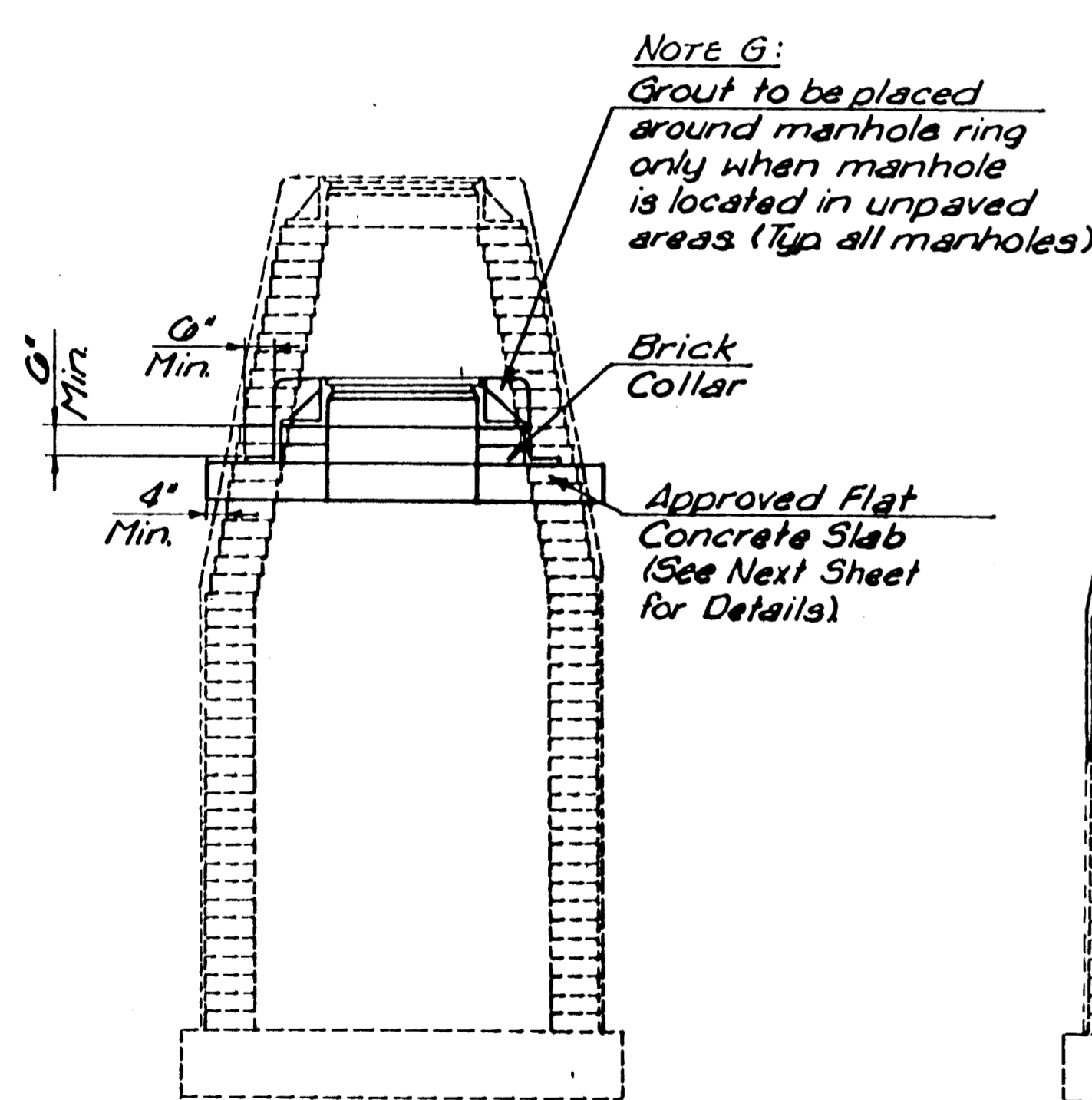


**TYPE 3**  
Reinforced Concrete



**ALT. 1**  
**TYPE 4**

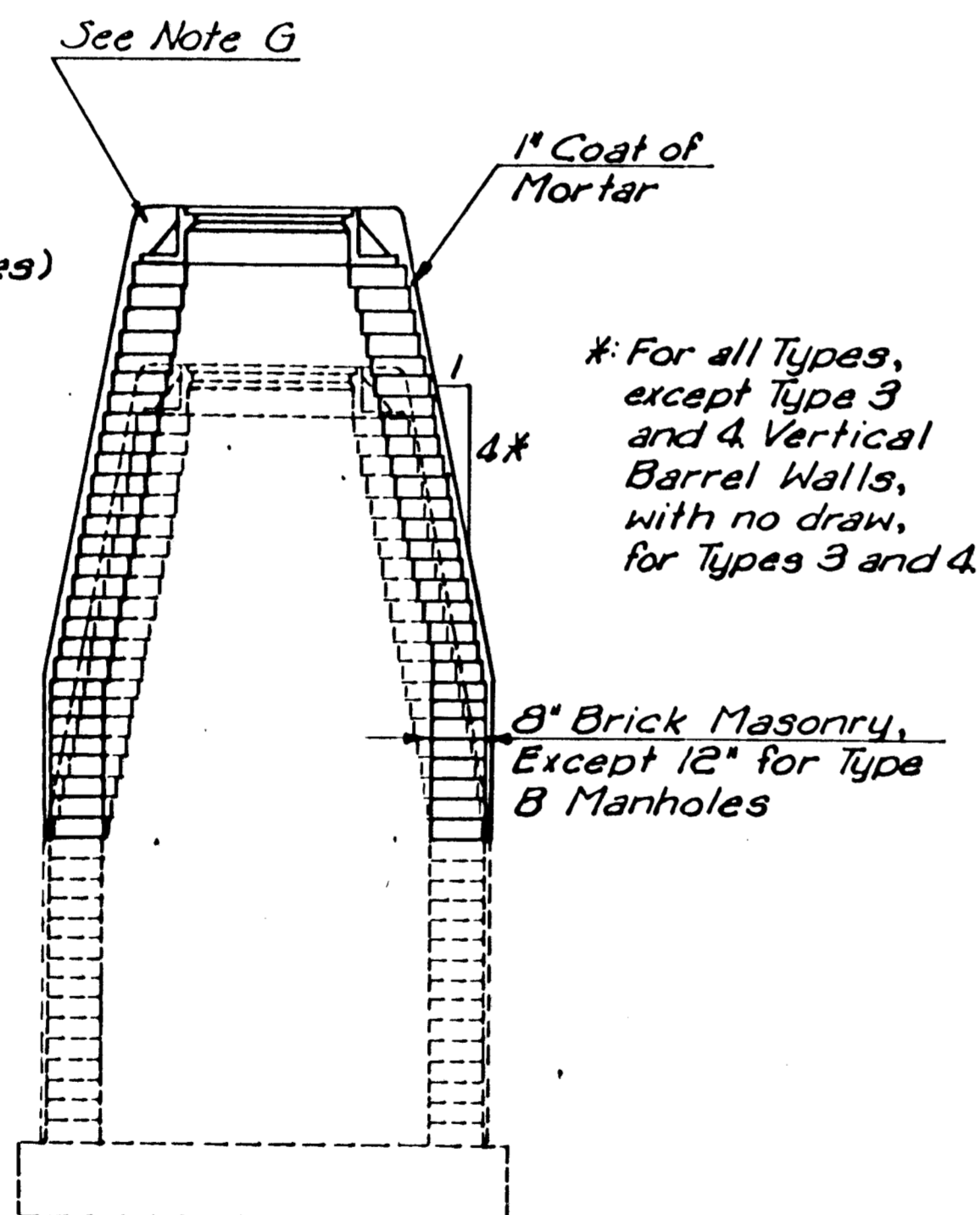
DEFINITION SKETCHES - CITY OF WICHITA STANDARD MANHOLES



**DOWNWARD ADJUSTMENT**  
**(GREATER THAN 12")**  
All Types Except Type P

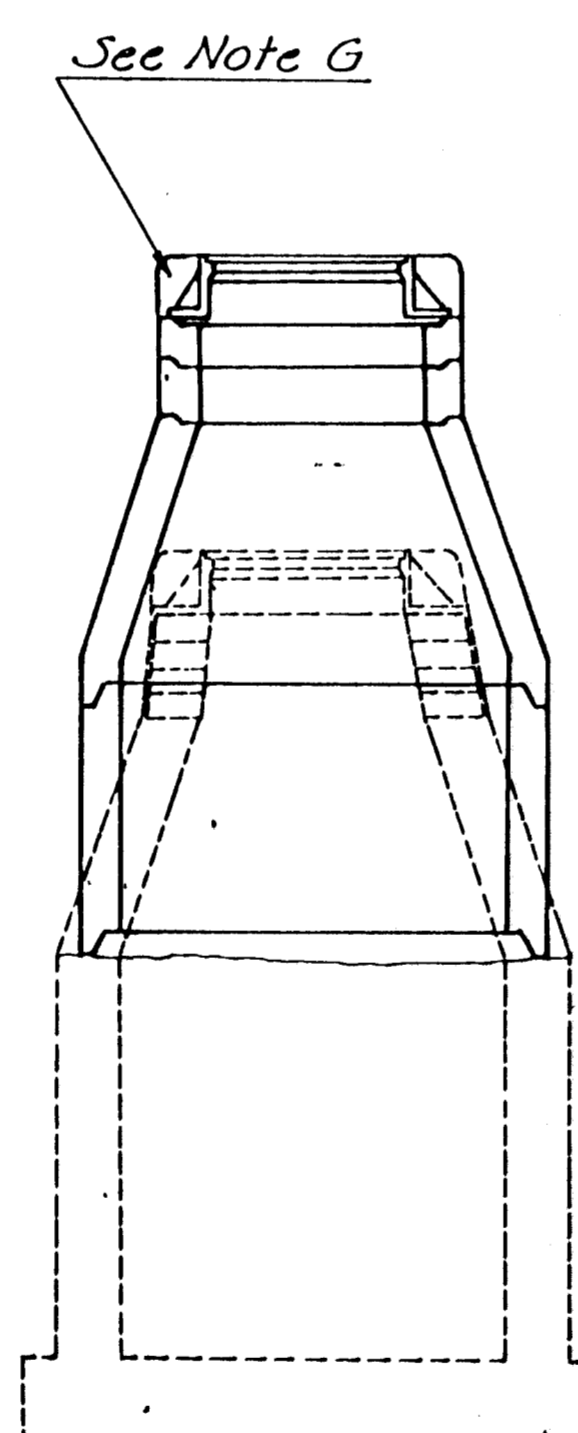
THE APPROPRIATE PORTIONS OF THE DRAW AND BARREL OF TYPE A, B, C, D, 1 AND 2 MANHOLES SHALL BE REMOVED. A FLAT CONCRETE SLAB SHALL BE PLACED AND THE RING AND COVER RESET. ALL WORK AND MATERIALS SHALL CONFORM TO THE DETAILS SHOWN AND THE GENERAL NOTES.

COURSES OF BRICK BARREL SUPPORTING THE WIDE FLANGE RING FOR TYPE 4 MANHOLES AND FLAT CONCRETE SLAB FOR TYPE 3 MANHOLES SHALL BE REMOVED AS NECESSARY PRIOR TO RESETTING THE WIDE FLANGE RING OR FLAT CONCRETE SLAB AND RING. ALL WORK AND MATERIALS SHALL CONFORM TO THE DETAILS SHOWN AND THE GENERAL NOTES.



**UPWARD ADJUSTMENT**  
**(GREATER THAN 12")**  
All Types Except Type P

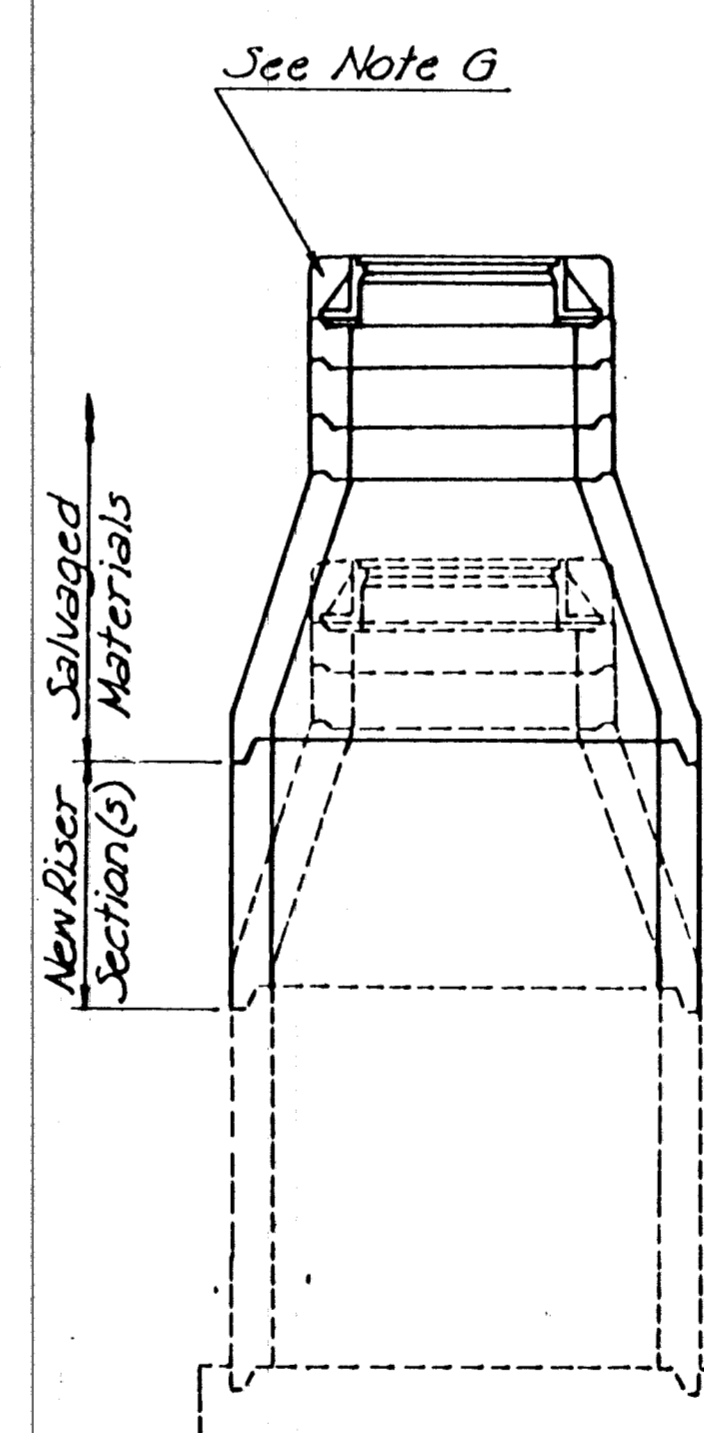
THE ENTIRE DRAW OF TYPES A, B, C, D, 1 AND 2 MANHOLES SHALL BE REMOVED, THE MANHOLE BARREL RAISED THE APPROPRIATE AMOUNT, A NEW DRAW CONSTRUCTED, AND THE RING AND COVER RESET. THE UPPER PORTION OF TYPE 3 MANHOLES SHALL BE REMOVED TO THE BOTTOM OF THE FLAT CONCRETE SLAB, THE BRICK MASONRY BARREL SUPPORTING THE FLAT CONCRETE SLAB SHALL BE RAISED THE APPROPRIATE AMOUNT, AND THE SLAB AND RING AND COVER RESET. THE WIDE FLANGE RING AND COVER OF TYPE 4 MANHOLES SHALL BE REMOVED, THE BRICK MASONRY BARREL SUPPORTING THE RING SHALL BE RAISED THE APPROPRIATE AMOUNT AND THE RING AND COVER RESET. ALL WORK REQUIRED FOR A GREATER THAN TWELVE INCH (12") UPWARD ADJUSTMENT OF ANY MANHOLE SHALL BE ACCOMPLISHED WITH BRICK MASONRY IN ACCORDANCE WITH THE DETAILS SHOWN AND THE GENERAL NOTES.



**UPWARD ADJUSTMENT**  
**(GREATER THAN 12")**  
Type C & D (Optional)

(BRICK MASONRY MAY BE USED IN LIEU OF PRECAST ADJUSTING RINGS SHOWN.)

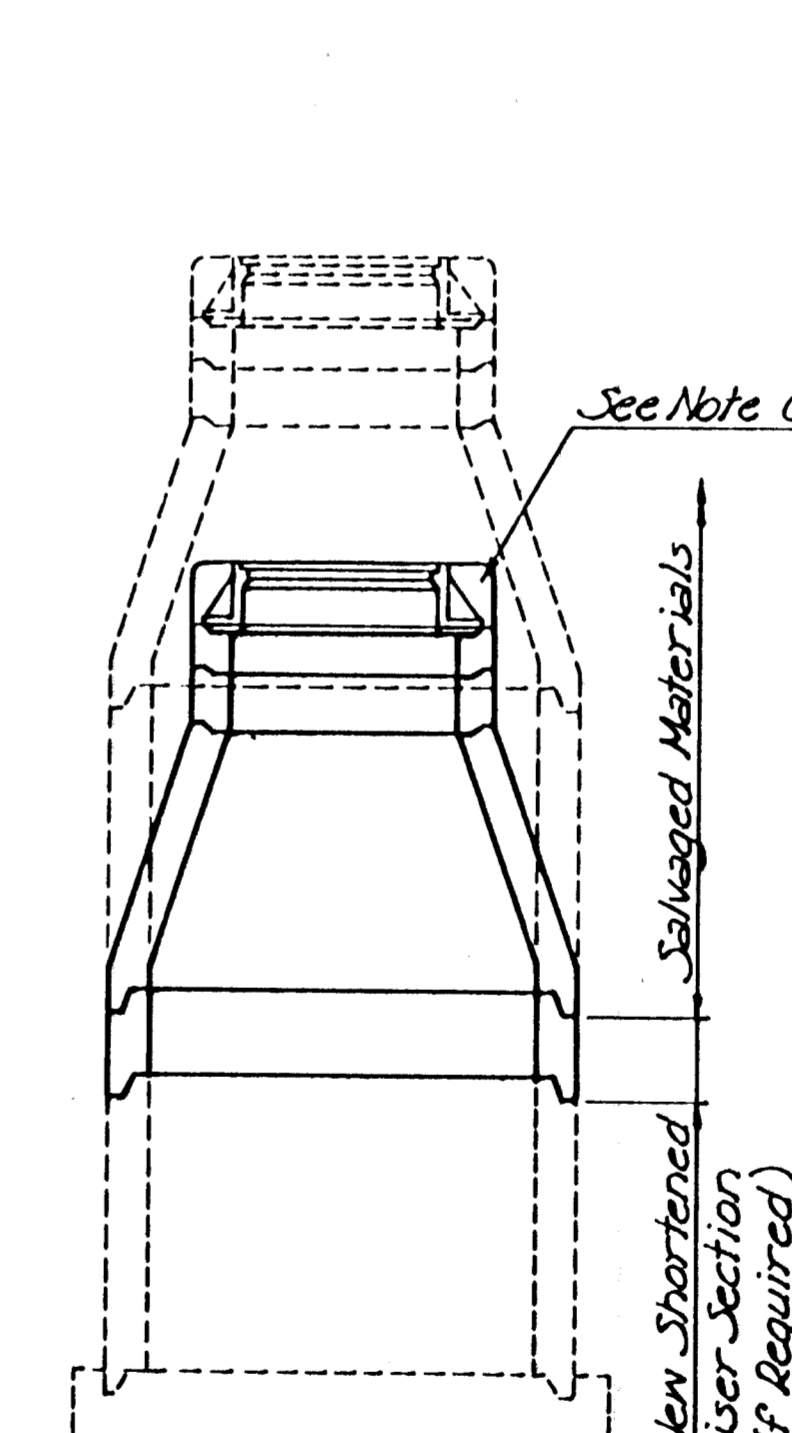
THE ENTIRE DRAW OF TYPES C & D MANHOLES SHALL BE REMOVED. THE MANHOLE BARREL SHALL BE RAISED BY USING PRECAST RISER AND CONE SECTIONS. A NEW ADJUSTMENT SHALL BE CONSTRUCTED OF BRICK MASONRY OR PRECAST ADJUSTMENT RINGS. THE EXISTING RING AND COVER SHALL THEN BE RESET. THE FINISHED MANHOLE SHALL HAVE NO LESS THAN 12 AND NO MORE THAN 18 INCHES OF ADJUSTMENT SECTION BETWEEN THE BOTTOM OF CASTING AND TOP OF CONE.



**UPWARD ADJUSTMENT**  
**(GREATER THAN 12")**  
Type P

(BRICK MASONRY MAY BE USED IN LIEU OF PRECAST ADJUSTING RINGS SHOWN.)

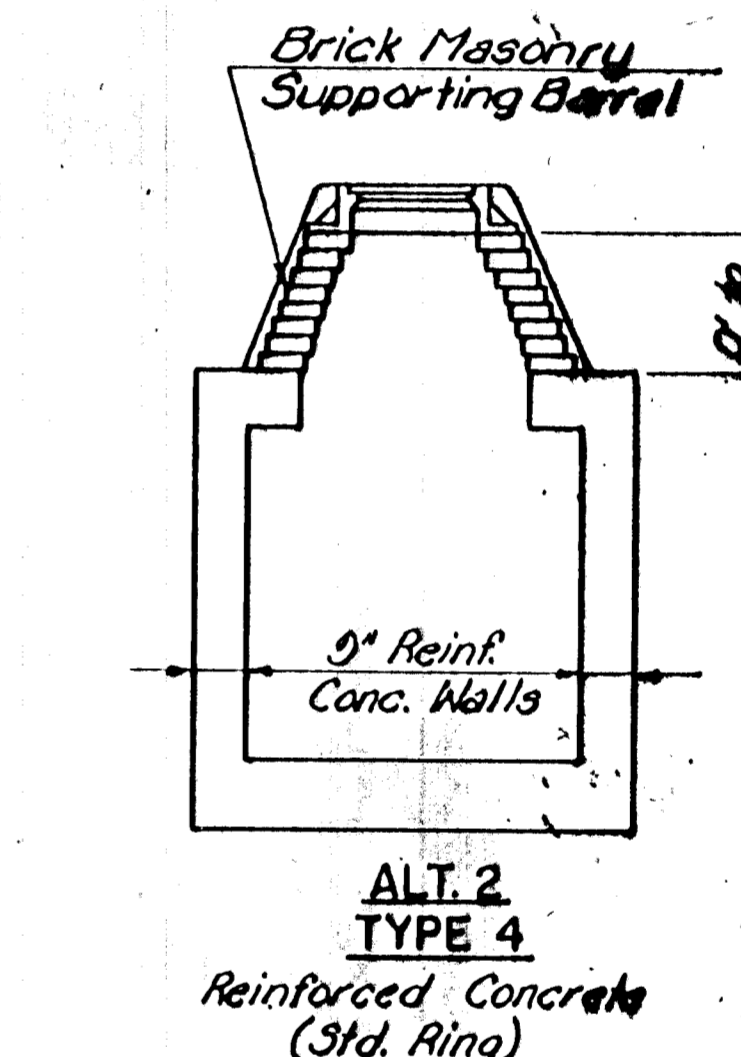
THE EXISTING MANHOLE SHALL BE CAREFULLY REMOVED AND SALVAGED TO THE BOTTOM OF THE CONE. ADDITIONAL RISER SECTION(S) SHALL BE ADDED PRIOR TO RECONSTRUCTING CONE, ADJUSTMENT SECTION, AND CASTING TO FINISH GRADE AS SHOWN ON THE PLANS OR AS DETERMINED BY THE ENGINEER. AFTER ADJUSTMENT, THE FINISHED MANHOLE SHALL HAVE NO LESS THAN 12 INCHES AND NO MORE THAN 18 INCHES OF ADJUSTMENT SECTION BETWEEN THE CONE AND CASTING.



**DOWNWARD ADJUSTMENT**  
**(GREATER THAN 12")**  
Type P

(BRICK MASONRY MAY BE USED IN LIEU OF THE PRECAST ADJUSTING RINGS SHOWN.)

THE EXISTING MANHOLE SHALL BE CAREFULLY REMOVED AND SALVAGED TO THE TOP OF AN EXISTING RISER SECTION. SHORTENED RISER SECTION(S) SHALL BE ADDED PRIOR TO RECONSTRUCTING CONE, ADJUSTMENT SECTION, AND CASTING TO FINISH GRADE AS SHOWN ON THE PLANS OR AS DETERMINED BY THE ENGINEER. AFTER ADJUSTMENTS, THE FINISHED MANHOLE SHALL HAVE NO LESS THAN 12 INCHES AND NO MORE THAN 18 INCHES OF ADJUSTMENT SECTION BETWEEN THE CONE AND CASTING.



**ALT. 2**  
**TYPE 4**  
Reinforced Concrete  
(3rd. Ring)

See next sheet for additional details and General Notes.

MANHOLE ADJUSTMENT DETAILS

PROFESSIONAL ENGINEERING COMPANY

ENGINEER  
WICHITA, KANSAS  
Designed by G.D.S., M.H.B. Checked by  
Drawn by Date 2-6-1960