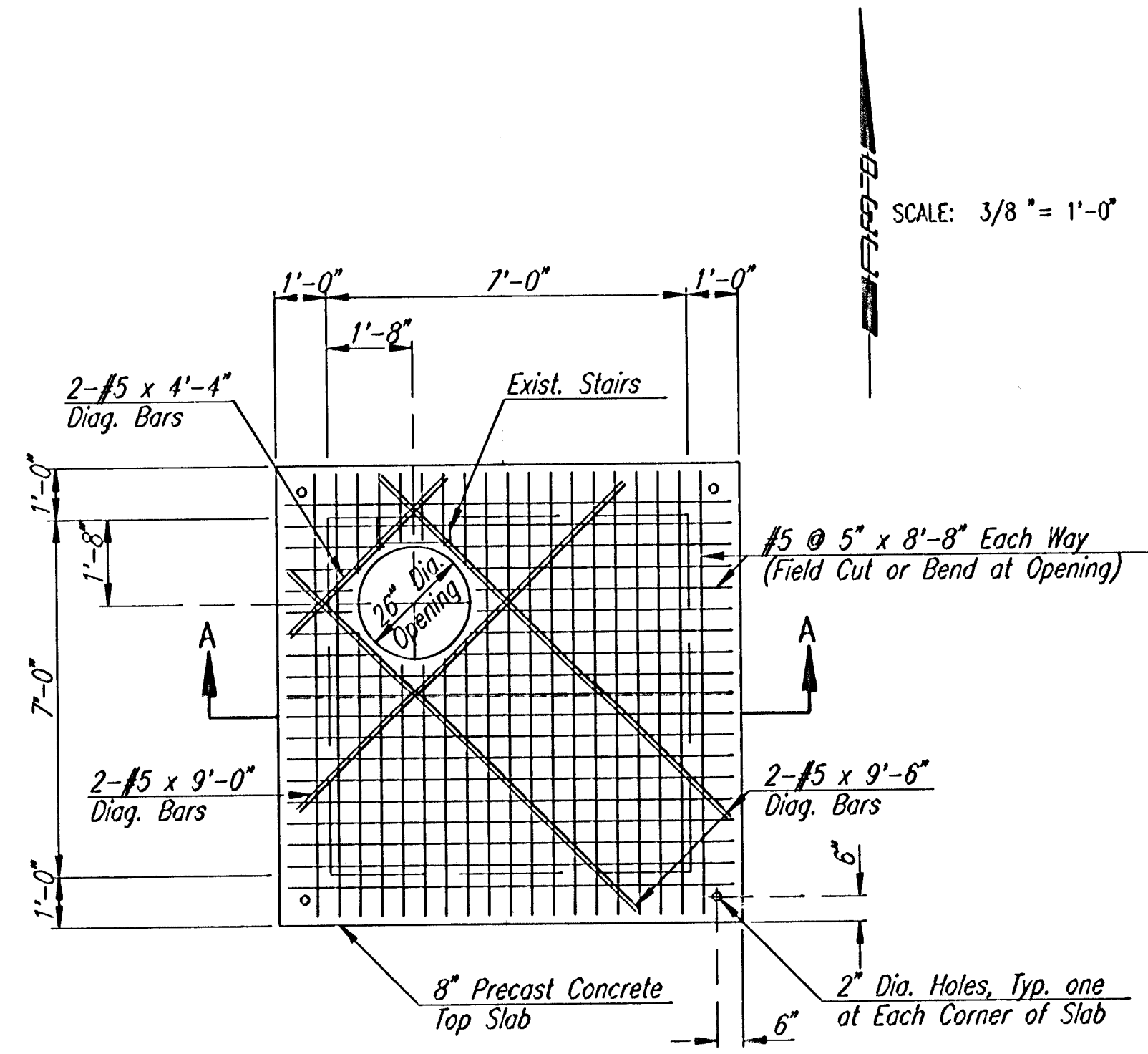
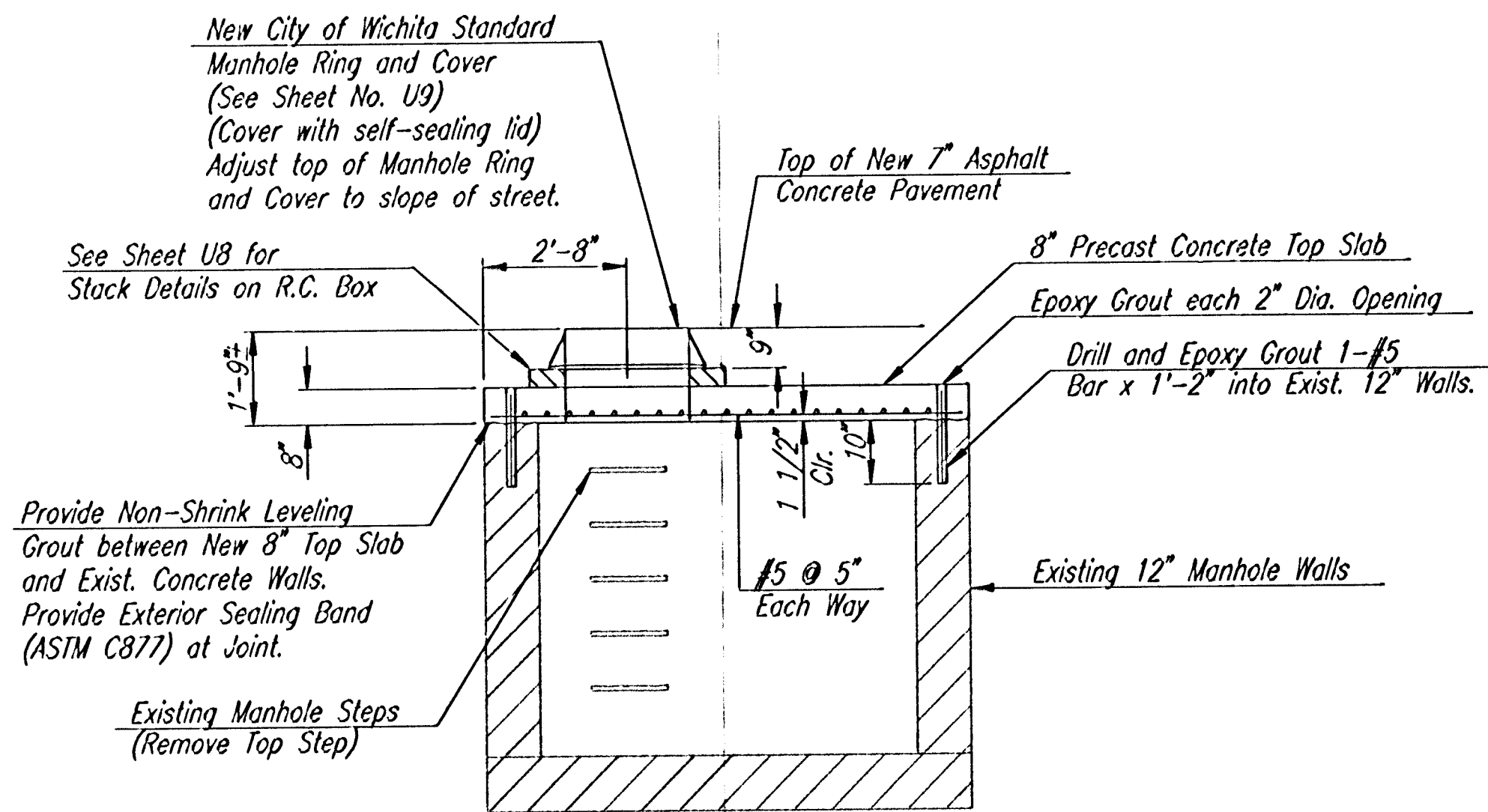


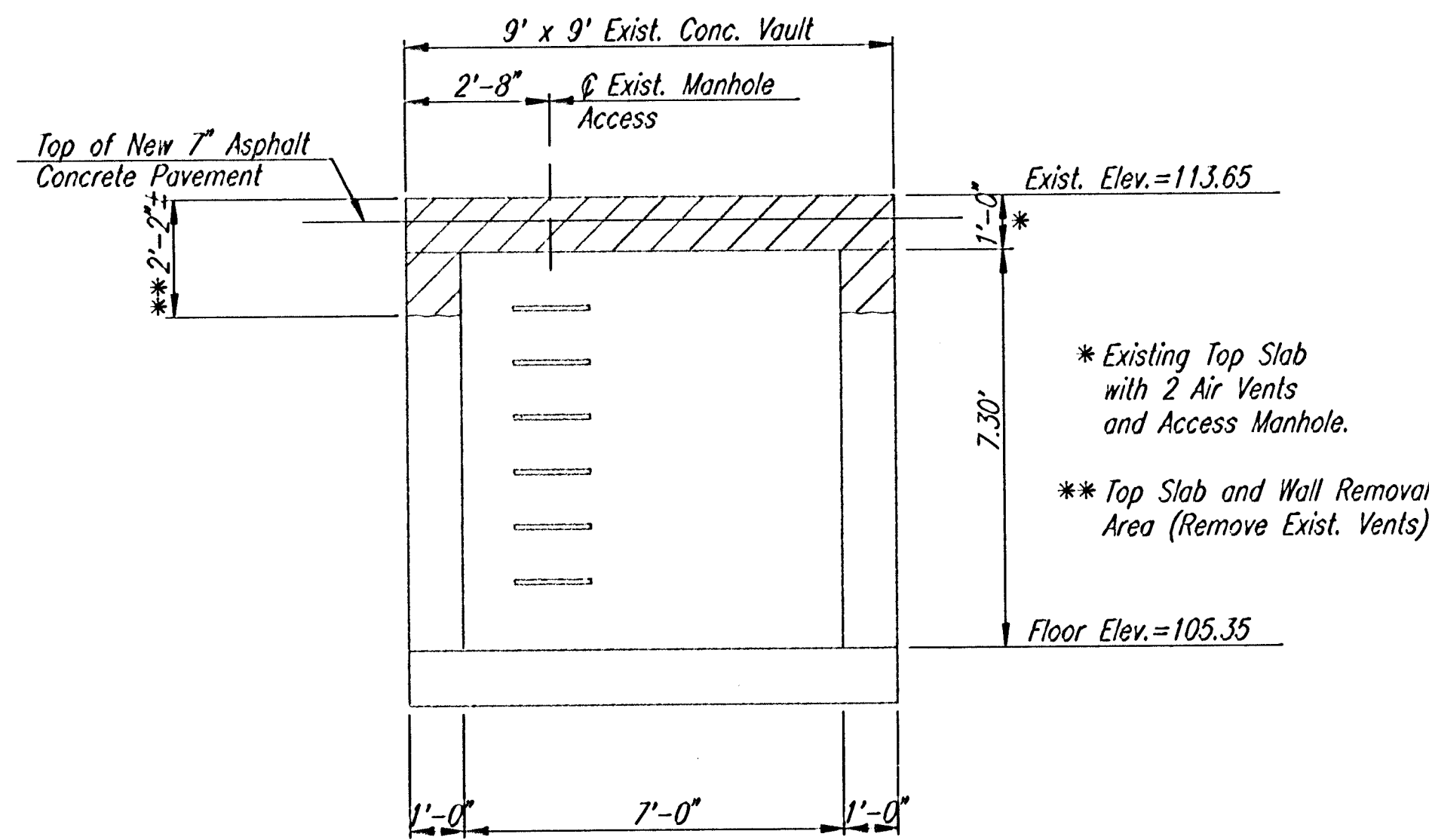
PLAN	SURVEYED	DATE
NOTE BOOK NO.	PLOTTED	BY
	CHECKED	
	BY	



PLAN



SECTION A-A



TYP. SECTION EXISTING CONCRETE VAULT
(Baseline East Bound Sta. 57+80.00, 18' Rt.)

CONCRETE MANHOLE MODIFICATION NOTES

CONCRETE: BEVEL ALL EXPOSED EDGES WITH A 3/4" TRIANGULAR MOLDING OR FINISH WITH AN APPROVED EDGING TOOL. CONCRETE SHALL BE AS PER CITY OF WICHITA STANDARD SPECIFICATIONS FOR CONCRETE PAVING MIX EXCEPT THAT IT SHALL HAVE A MINIMUM 28 DAYS COMPRESSIVE STRENGTH OF 4,000 P.S.I.

REINFORCING STEEL: ALL DIMENSIONS RELATIVE TO REINFORCING STEEL ARE TO CENTERLINE OF BAR UNLESS OTHERWISE NOTED. ALL CLEARANCES SHALL BE 1 1/2" UNLESS OTHERWISE NOTED. ALL REINFORCING STEEL SHALL CONFORM TO A.S.T.M. DESIGNATION A615 GRADE 60 AND SHALL BE EPOXY COATED.

PAYMENT: THE "R.C. MANHOLE MODIFICATION" SHALL BE PAID FOR AT THE UNIT PRICE BID IN PLACE INCLUDING CONCRETE, REINFORCING STEEL, EXCAVATION AND ALL OTHER MISCELLANEOUS MATERIAL, LABOR, TOOLS, EQUIPMENT AND INCIDENTALS NECESSARY TO COMPLETE THE WORK.

Notes:

1. Relocate 110V Junction Box that provides power to Existing Sump and Light.
2. Relocate Exist. Sump Pipe so that it Discharges North to R.C. Manhole, Sta. 0+62.6 Line No. 2.

DSNR: BEB OPER: DEP SCALE: 1=4.00
 Q:\1999\98773\000\rcvault_06-01-2001_03:05:47.ppt

REV.	DATE	DESCRIPTION

HELLMUTH, OBATA & KASSEBAUM, INC.
DALLAS, TEXAS

PROFESSIONAL ENGINEERING
CONSULTANTS, P.A.
WICHITA, KANSAS

BRAD J. GOLDBERG
DALLAS, TEXAS

MUSEUM DISTRICT ROADWAY AND
PEDESTRIAN IMPROVEMENTS
WICHITA, KANSAS

REINF. CONC. MANHOLE MODIFICATION
STA. 57+80.00

PROJECT NO.
99773

SHEET
U14