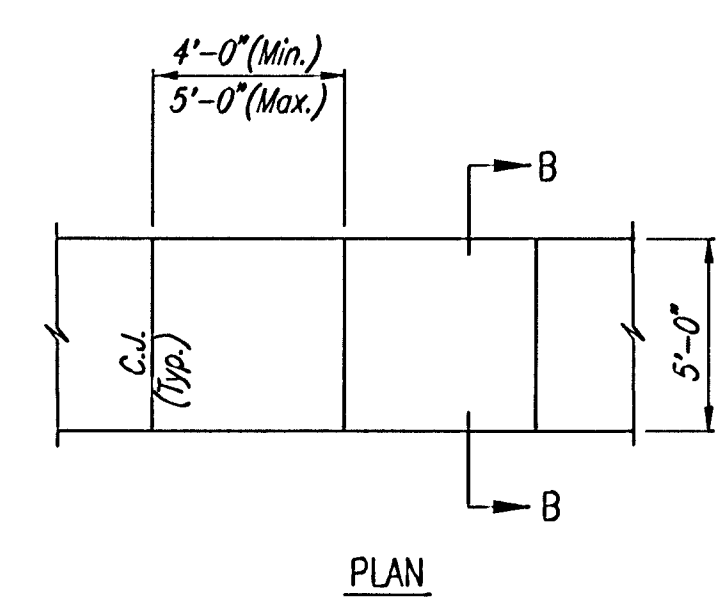


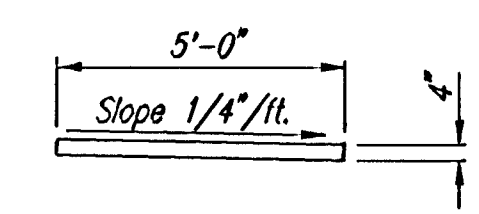
TYPICAL SIDEWALK SECTION

SIDEWALK NOTES

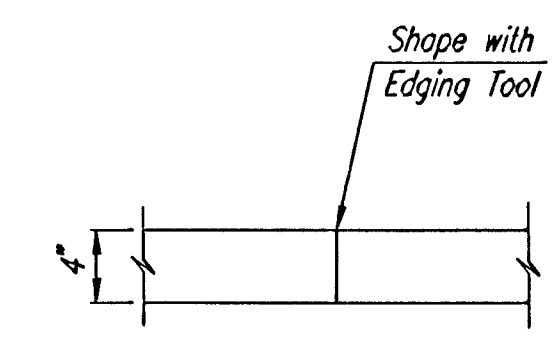
1. THE CONTRACTOR SHALL COMPACT 6" SUBGRADE UNDER ALL SIDEWALKS AS DETAILED ON THIS SHEET. ALL SIDEWALK COMPACTION SHALL BE CONSIDERED SUBSIDIARY TO "4" SIDEWALK CONCRETE PAVEMENT".



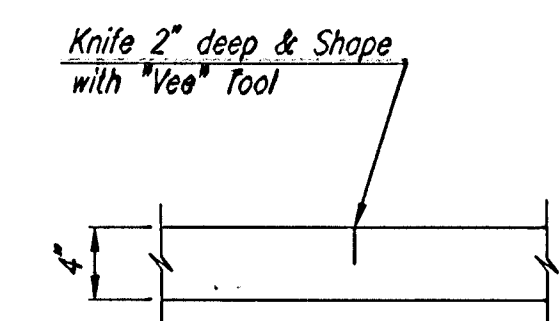
PLAN



SECTION B-B

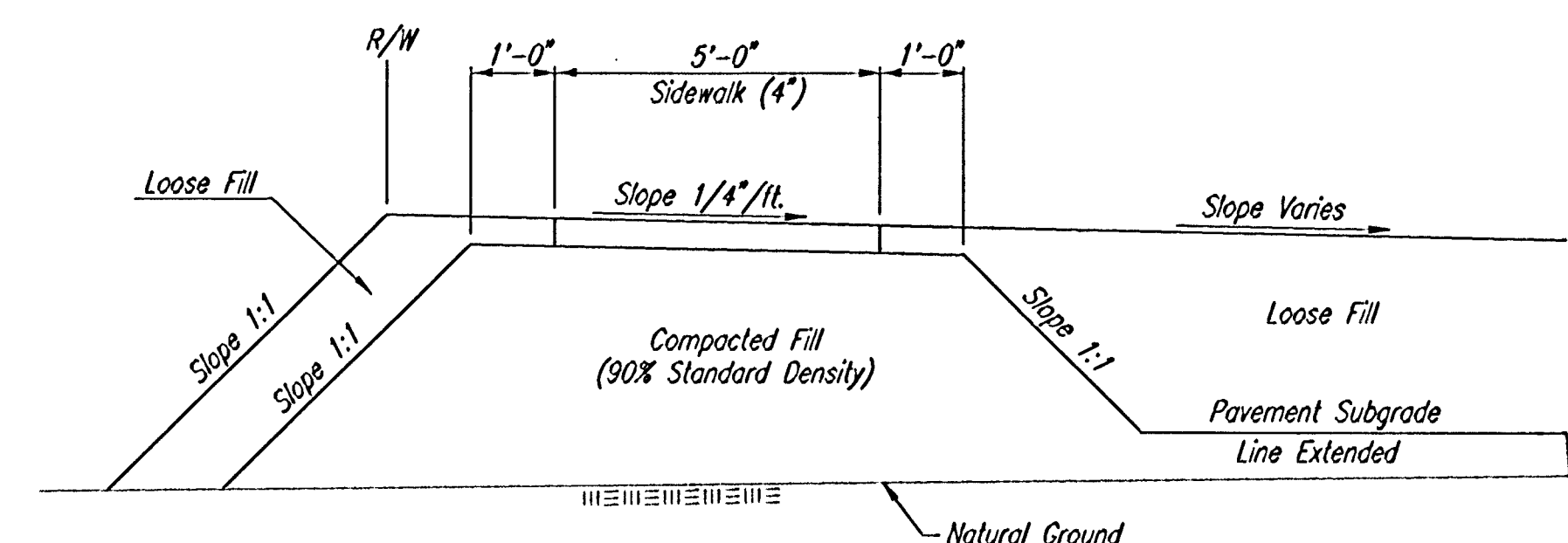


CONSTRUCTION JOINT

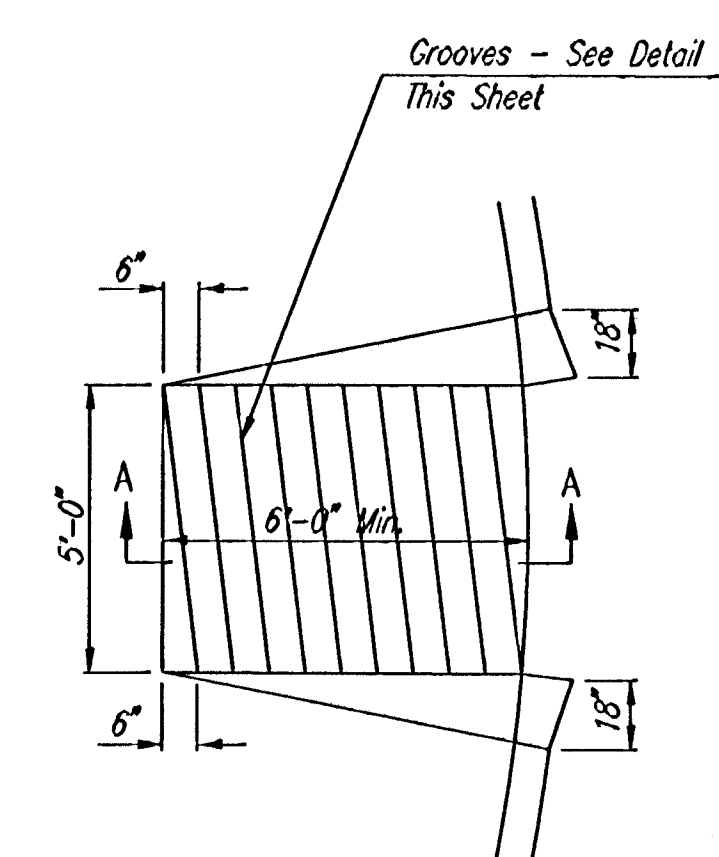


CONTRACTION JOINT

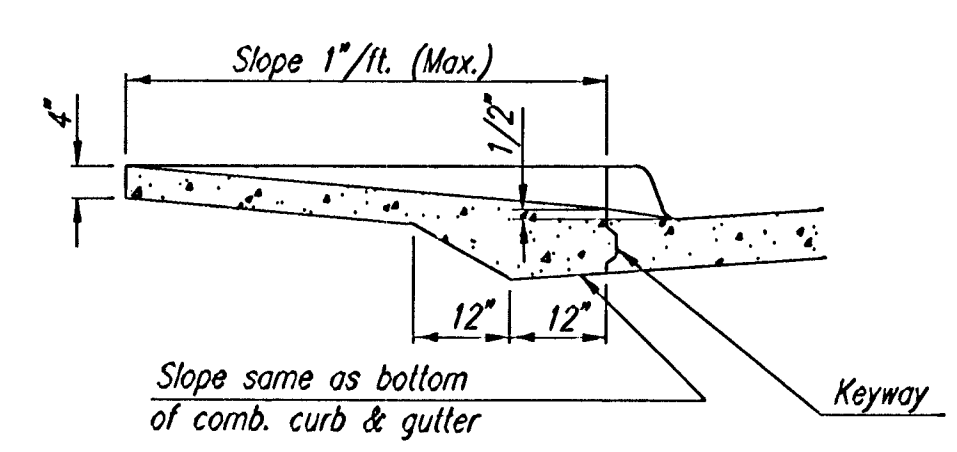
4" WALK DETAILS



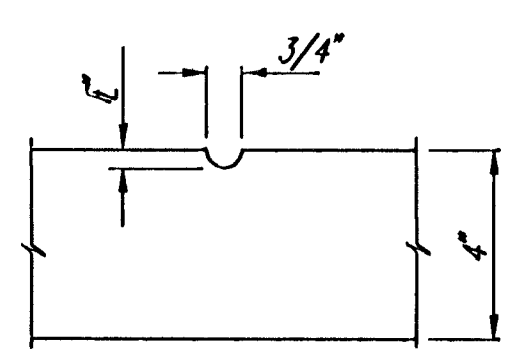
COMPACTED FILL DETAIL
WHERE SIDEWALK IS CONSTRUCTED
(See Plan Sheets for Locations)



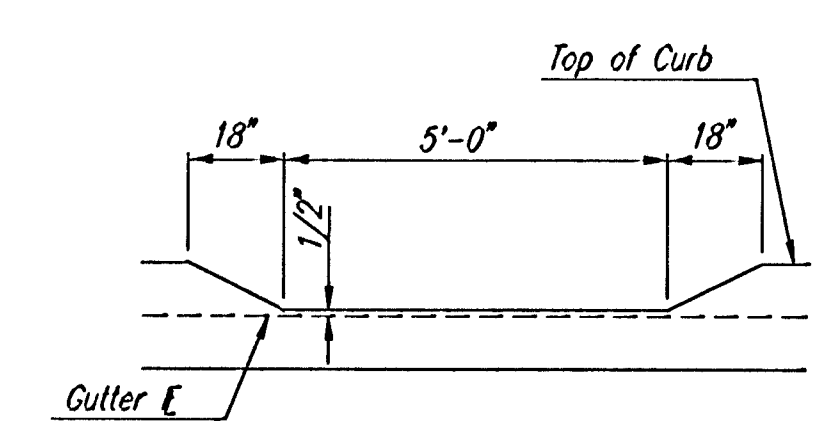
WHEELCHAIR RAMP DETAIL



SECTION A-A



GROOVE DETAIL



DEPRESSED CURB DETAIL

TYPICAL WHEELCHAIR RAMP DETAILS

CSNR: BER_OFER: DEP SCALE: 1=10.00
 C:\2001\010341\000\Woodlawn\MISC.DTL 11-13-2001 01:16:29 pm

WOODLAWN

MISCELLANEOUS PAVING DETAILS

Professional Engineering Consultants, P.A.
 303 S. TOPEKA • WICHITA, KANSAS 67202
 316-262-2691 • FAX 316-262-3003

Designed by DRC	Checked by BER
Drawn by DEP	Date JUNE, 2001
Job No. 01034	