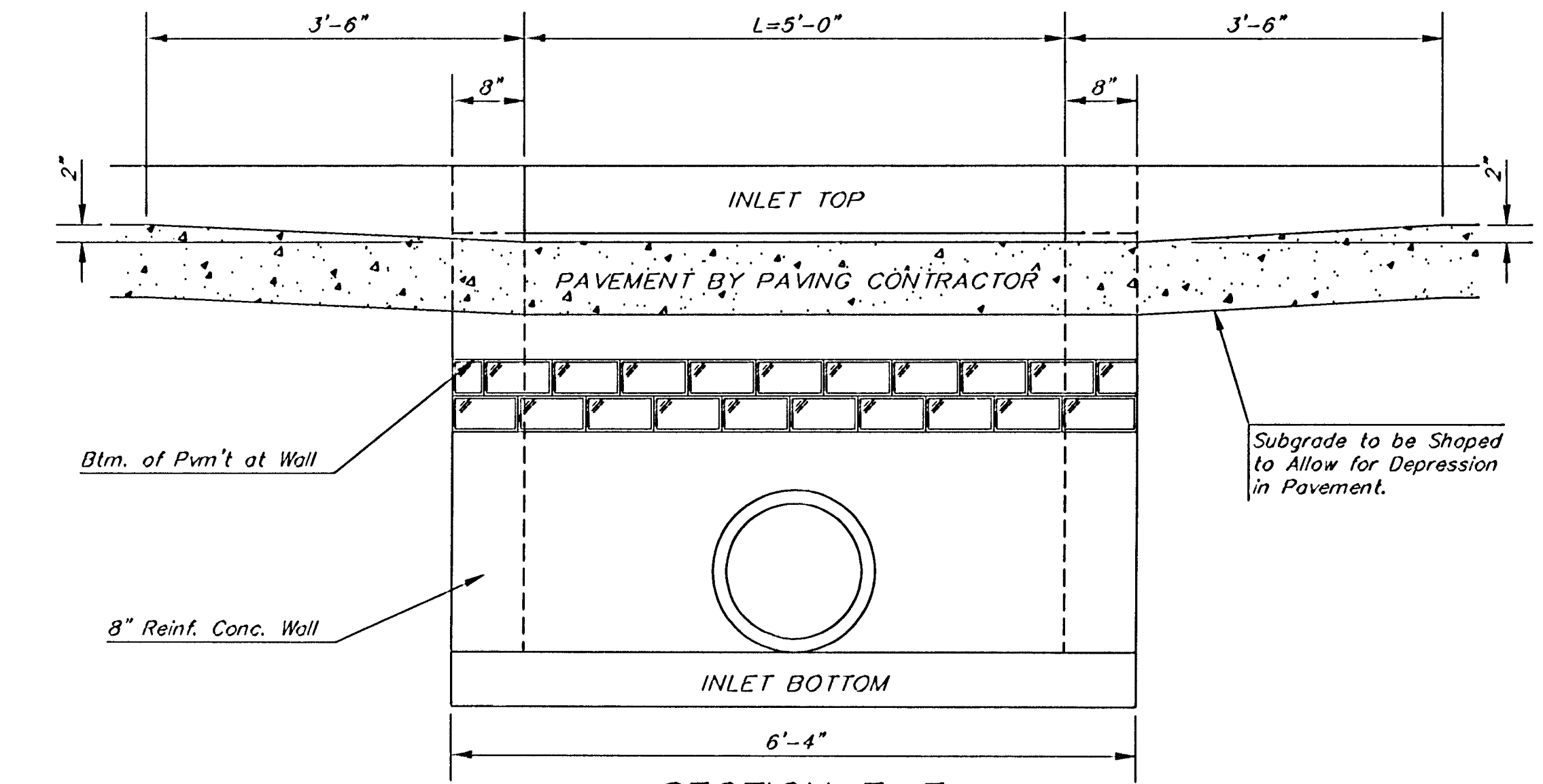
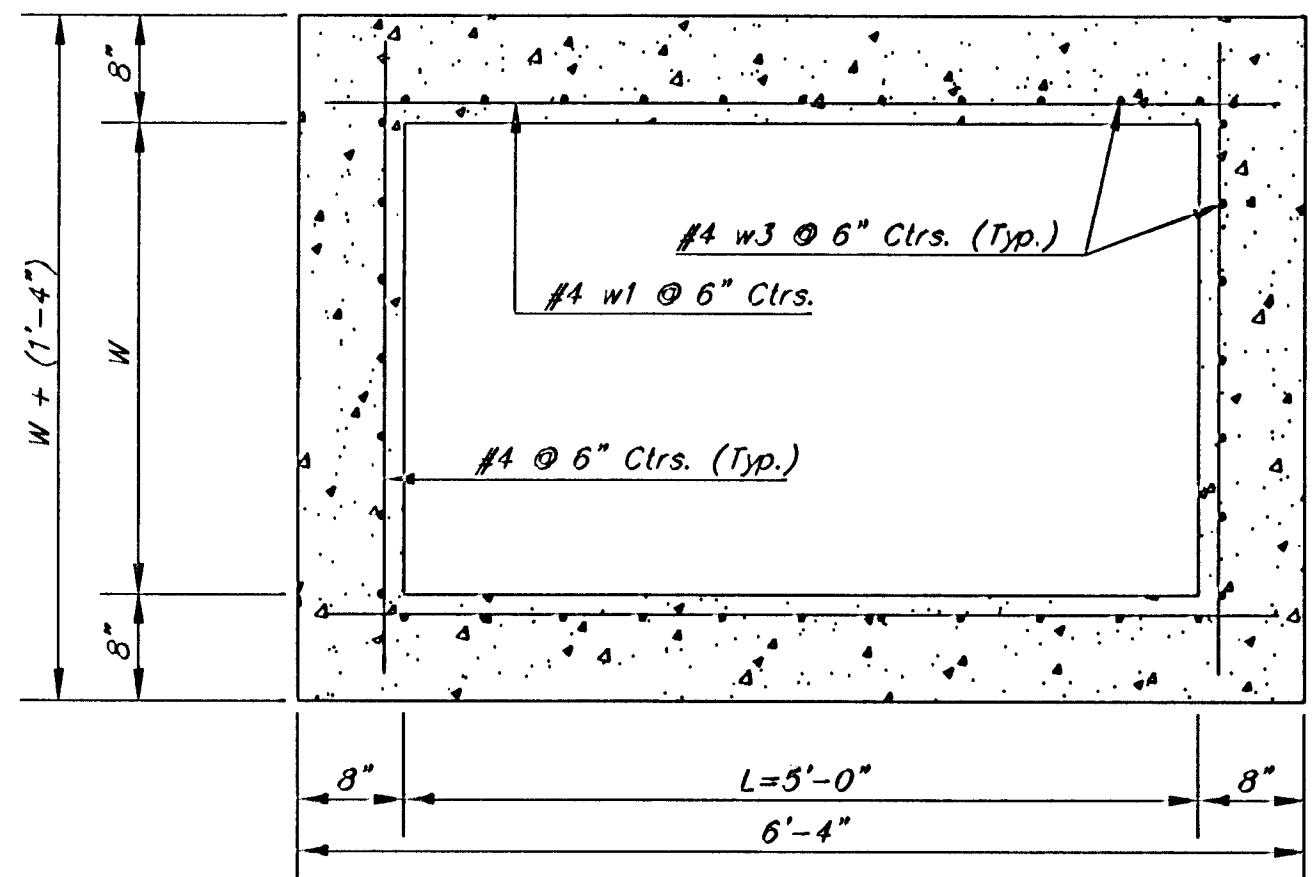


NOTE:
Expansion Joint Only in Curb Area With Concrete Pavment.

PLAN



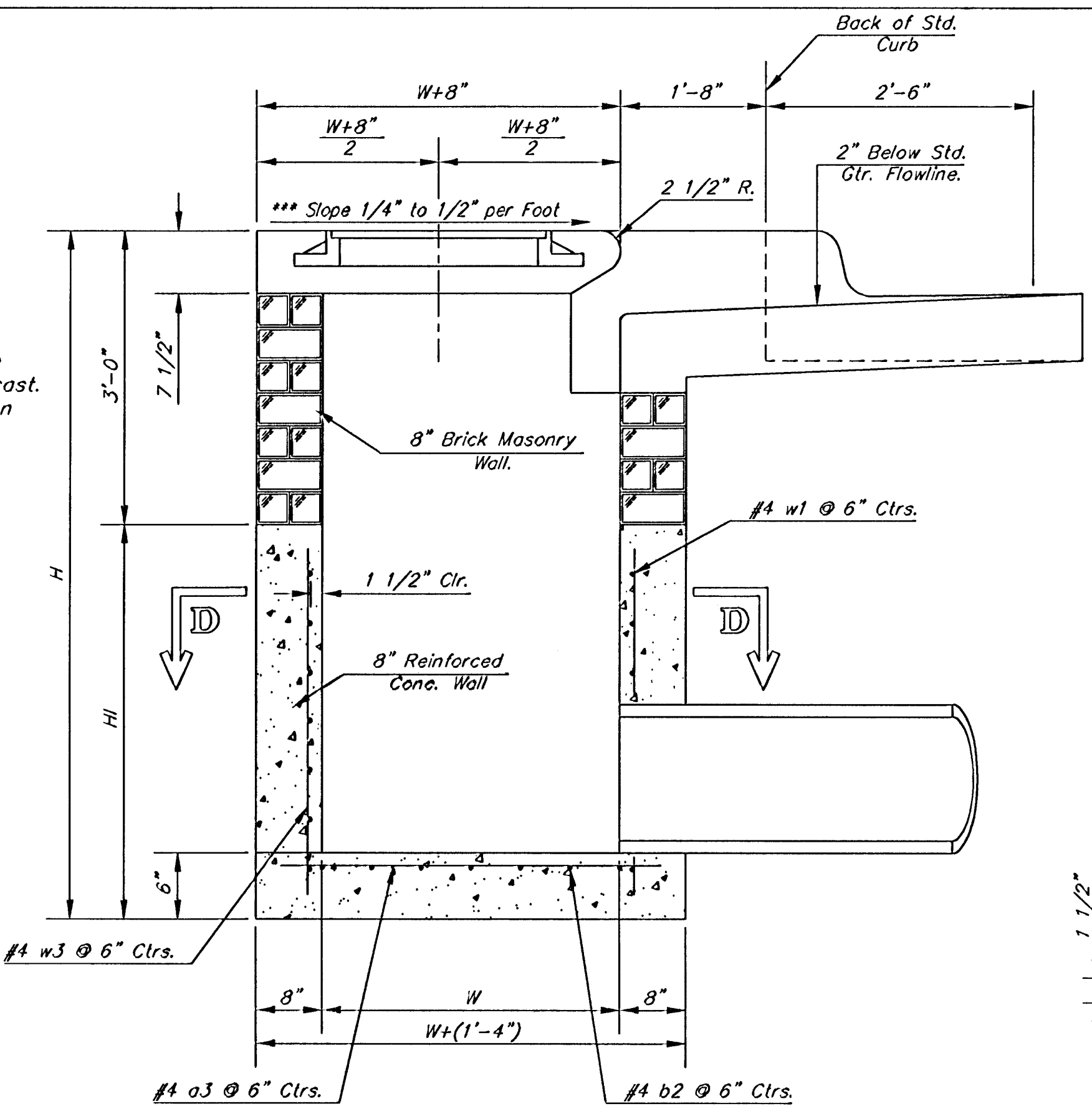
SECTION E-E



SECTION D-D

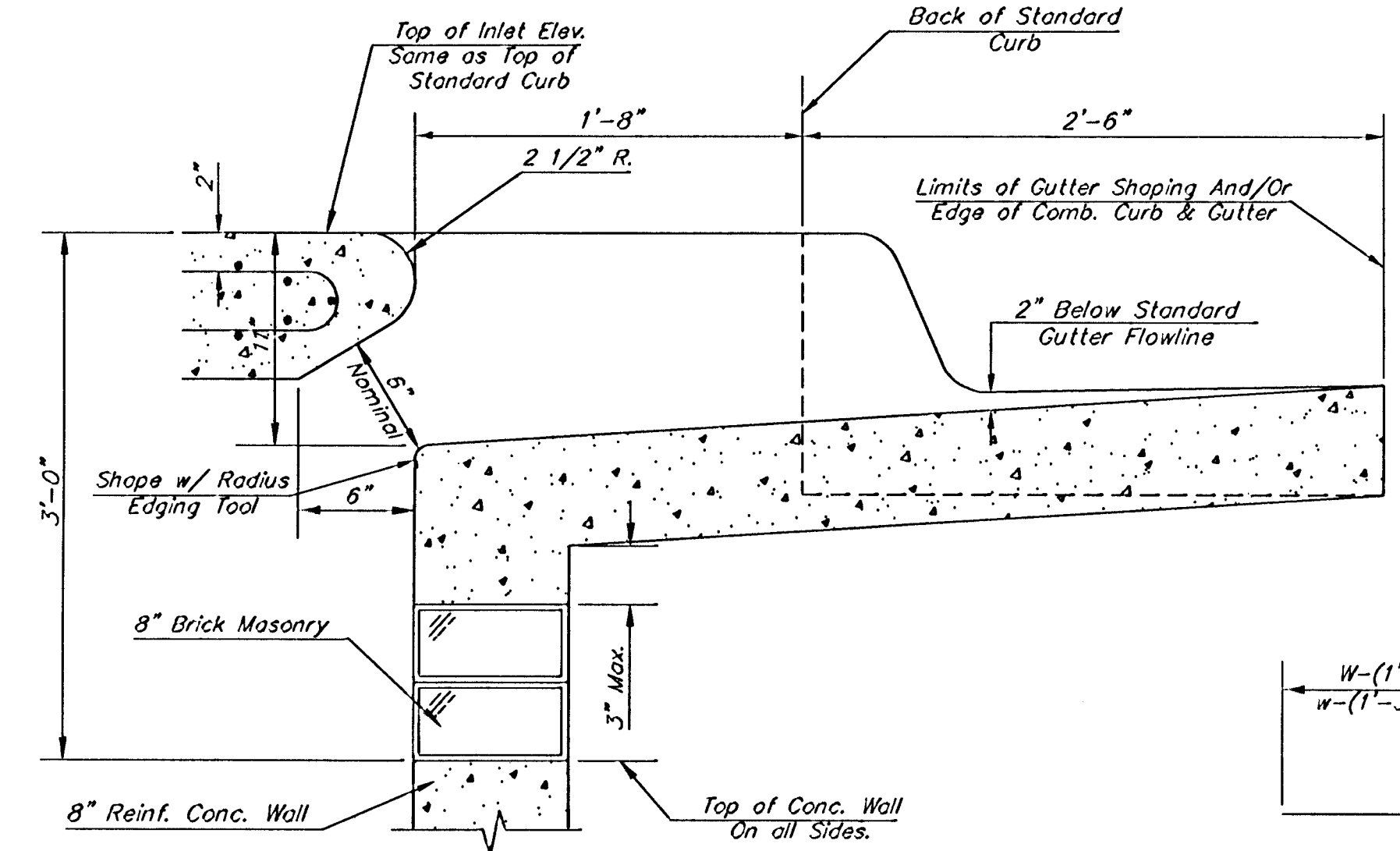
NOTE:
Inlet Top Reinforcing shall be Spaced on 6" Max. Centers. Inlet Lids Shall be Notched Out as Indicated to Facilitate Construction of Curb.

NOTE:
Concrete Tops to be installed on thin mortar cushion to insure full support along brick walls. Concrete tops may be cast in place or precast. Concrete used for inlet construction shall be concrete pavement mix with air entrainment.

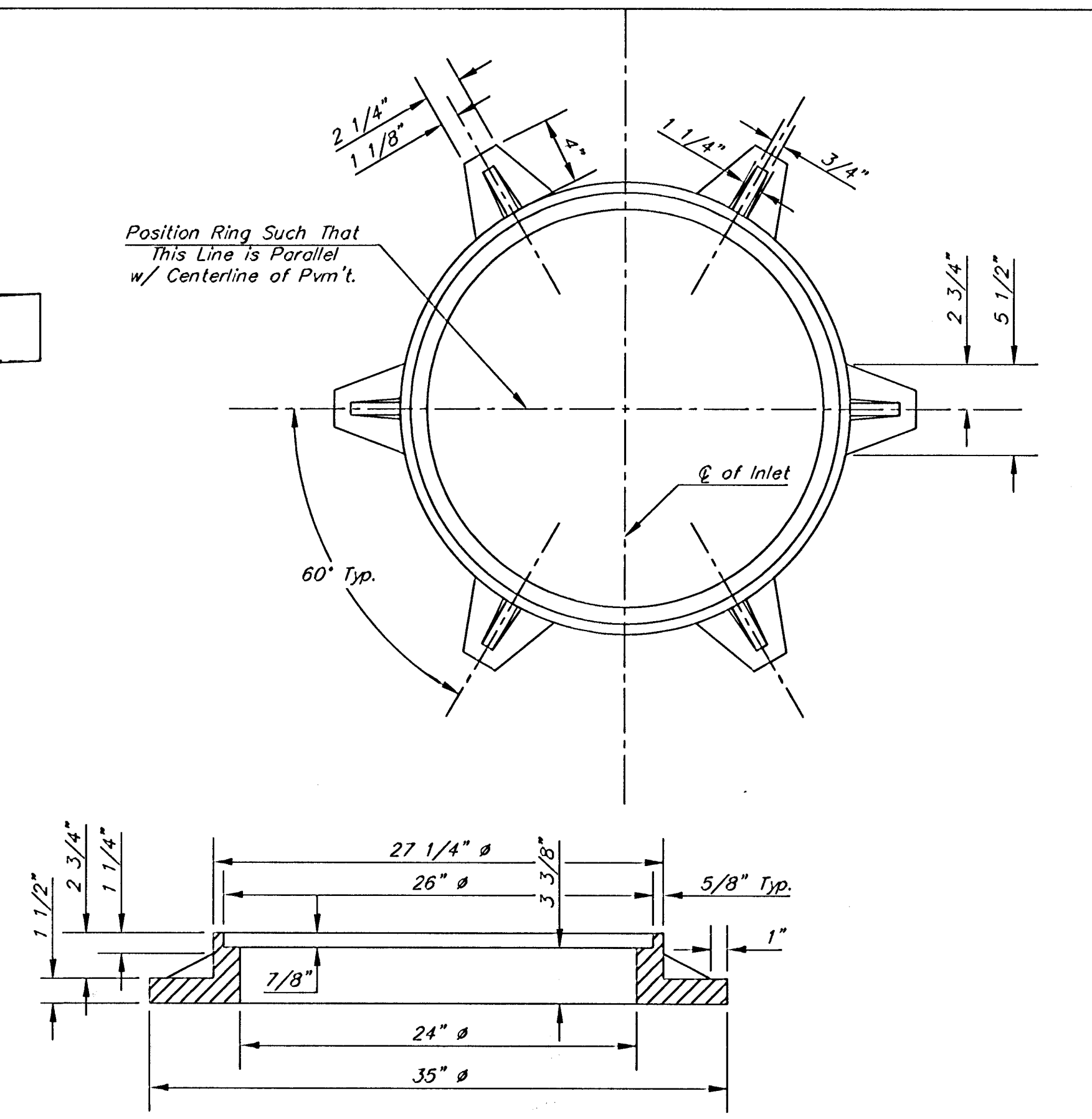


SECTION A-A

***NOTE: Slope of inlet tops to Match Sidewalk or Parking Slopes within Limits Indicated.

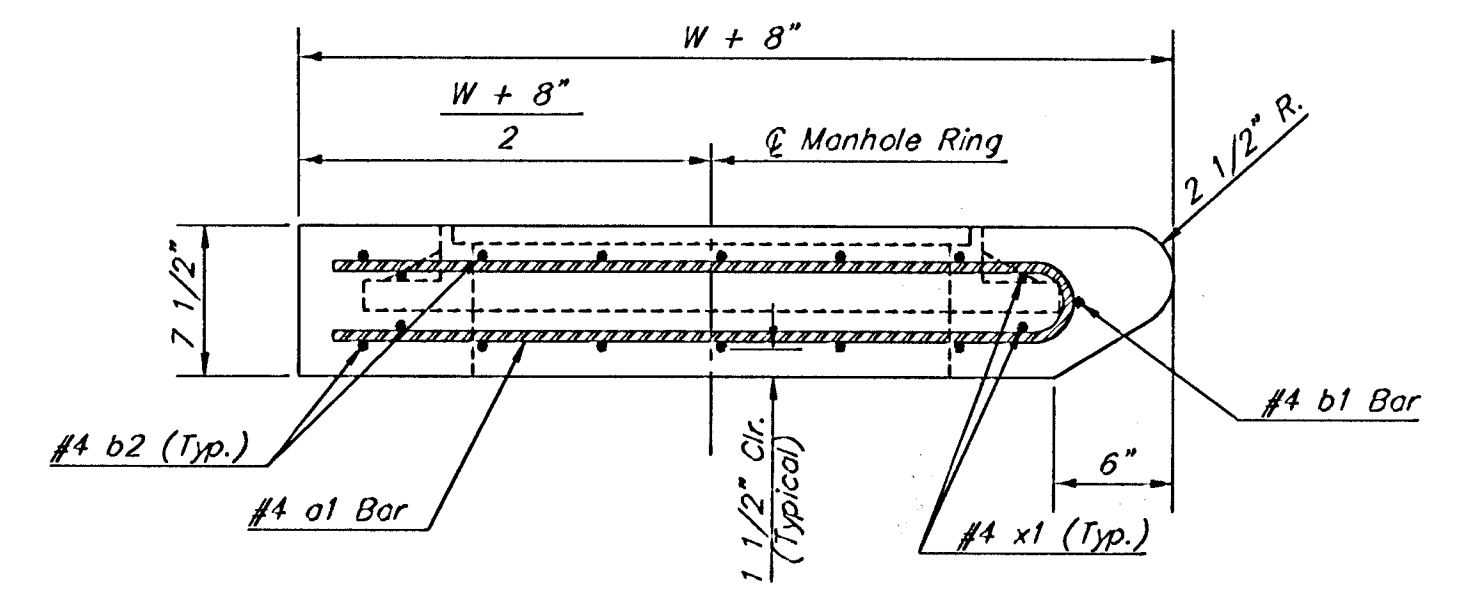


SECTION B-B



MANHOLE RING AND COVER

Weight = 180 Lbs.
*See City of Wichita Standard Manhole Ring and Cover Detail Sheet for Cover Details to Be Used With Inlet Frame.

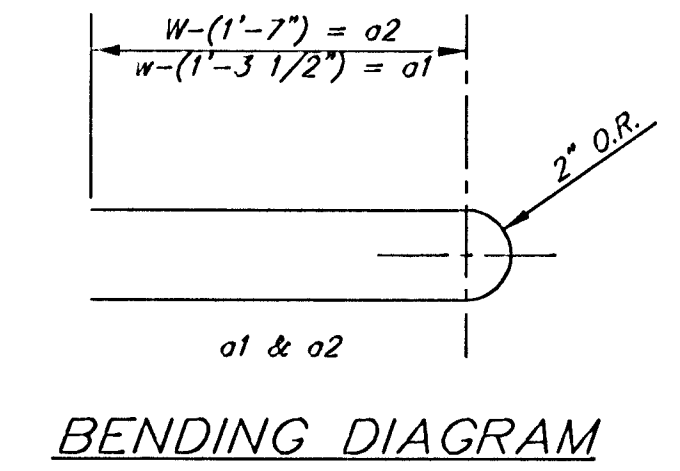


SECTION C-C

PRECAST SLAB AND FLOOR REINFORCING											
MARK	SIZE	W = 3'-0"		W = 4'-0"		W = 5'-0"		W = 6'-0"		W = 7'-0"	
		NO.	LENGTH	NO.	LENGTH	NO.	LENGTH	NO.	LENGTH	NO.	LENGTH
a1	#4	6	6'-7"	6	8'-7"	6	10'-7"	6	12'-7"	6	14'-7"
a2	#4	4	6'-0"	4	8'-0"	4	10'-0"	4	12'-0"	4	14'-0"
a3	#4	13	4'-1"	13	5'-1"	13	6'-1"	13	7'-1"	13	8'-1"
b1	#4	1	4'-9"	1	4'-9"	1	4'-9"	1	4'-9"	1	4'-9"
b2	#4	23	6'-1"	29	6'-1"	35	6'-1"	41	6'-1"	47	6'-1"
x1	#4	8	3'-10"	8	4'-2"	8	4'-6"	8	4'-10"	8	5'-2"

WALL REINFORCING											
MARK	SIZE	W = 3'-0"		W = 4'-0"		W = 5'-0"		W = 6'-0"		W = 7'-0"	
		NO.	LENGTH	NO.	LENGTH	NO.	LENGTH	NO.	LENGTH	NO.	LENGTH
w1	#4	4	6'-1"	4	6'-1"	4	6'-1"	4	6'-1"	4	6'-1"
w2	#4	4	4'-1"	4	5'-1"	4	6'-1"	4	7'-1"	4	8'-1"
w3	#4	32	4"	36	4"	40	4"	44	4"	48	4"

* Field Bend or Cut Reinforcing as Required for Clearance.
 ① 4 (H - 12") (H - 21") Rounded down to nearest 0.5"
 ② H - 3"



BENDING DIAGRAM

STANDARD CURB INLET PRECAST TOPS			
W	PRE-CAST TOP SIZE	PIPE SIZE	CU. YD. CONC.
3'-0"	3'-8" x 6'-4" x 1 1/2"	21" & SMALLER	0.38±
4'-0"	4'-8" x 6'-4" x 1 1/2"	24" & 30"	0.51±
5'-0"	5'-8" x 6'-4" x 1 1/2"	36" & 42"	0.64±
6'-0"	6'-8" x 6'-4" x 1 1/2"	48" & 54"	0.77±
7'-0"	7'-8" x 6'-4" x 1 1/2"	60" & 66"	0.90±

THE CITY OF WICHITA
CITY ENGINEER'S OFFICE
455 NORTH MAIN STREET
WICHITA, KANSAS 67202
(316) 268-1551
(316) 268-4114 FAX

**STANDARD TYPE 1-A
CURB INLET
OPENING = 6" x 5'-0"**

M. E. LINDEBAK P.E. - CITY ENGINEER

PROJECT NUMBER: 472-83329 OCA NO. XXXXXX

DATE: MAR 96 SHEET 11 OF 23

DSUR: BER OPER: DEP SCALE: 1=1.00
 C: 12001 \01034 \000 Woodman \TYPE1A.TIF 11-13-2001 01:15:14 pm