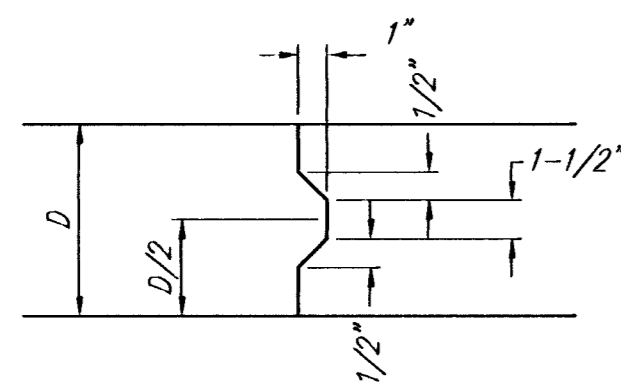
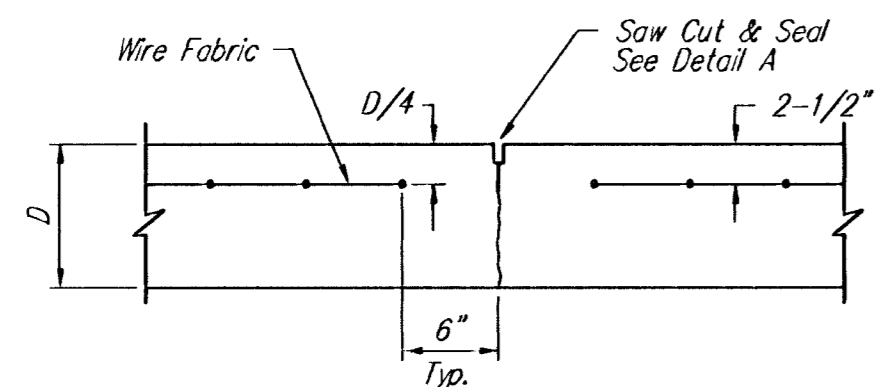


EXPANSION JOINT

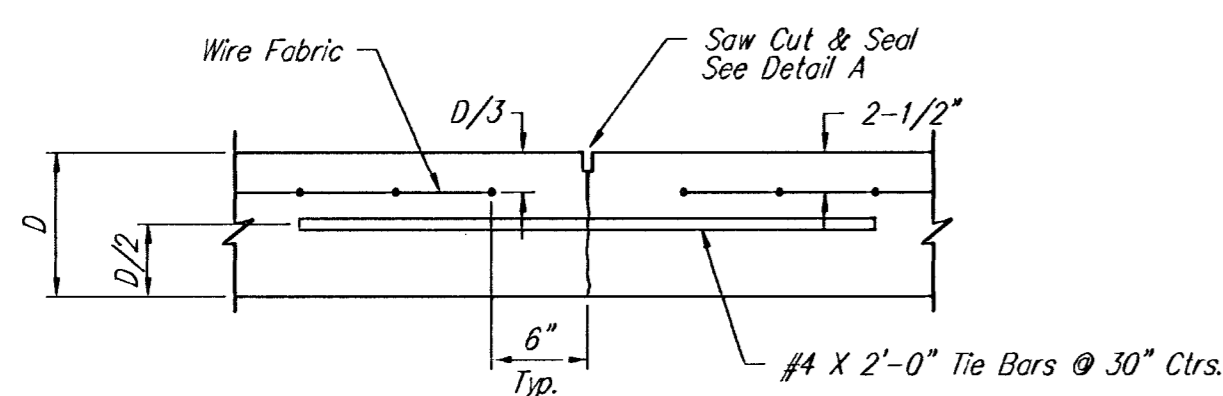
NOTE: Extra Thickness to be Subsidiary to Price of Square Yards Pavement



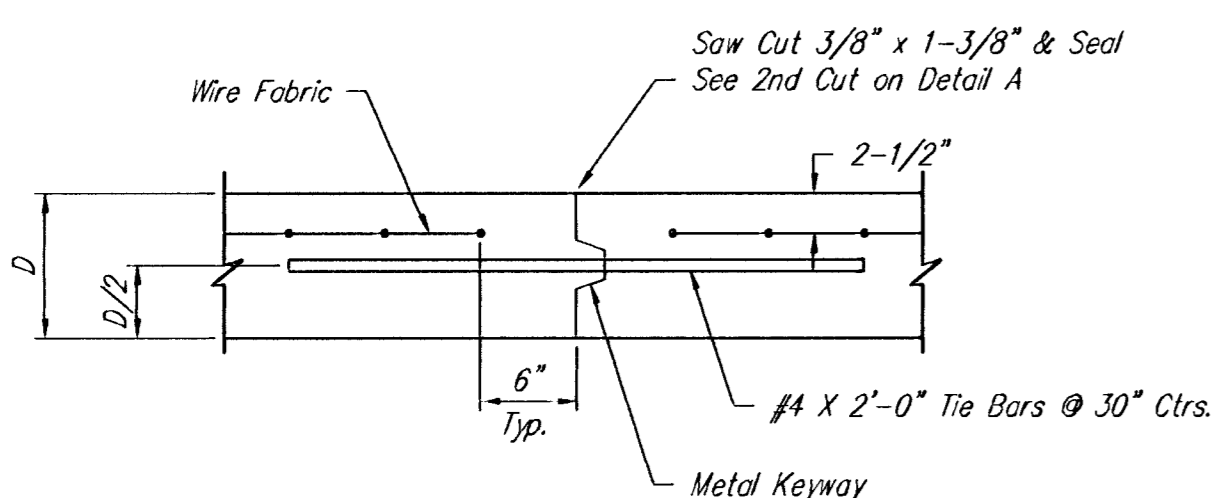
KEYWAY DETAIL



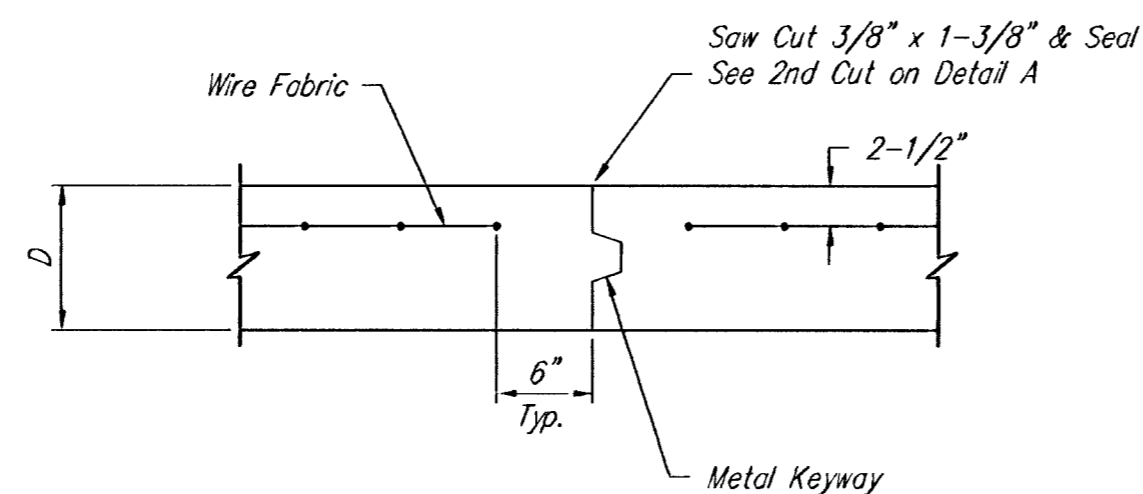
CONTRACTION JOINT DETAIL (C.J.)



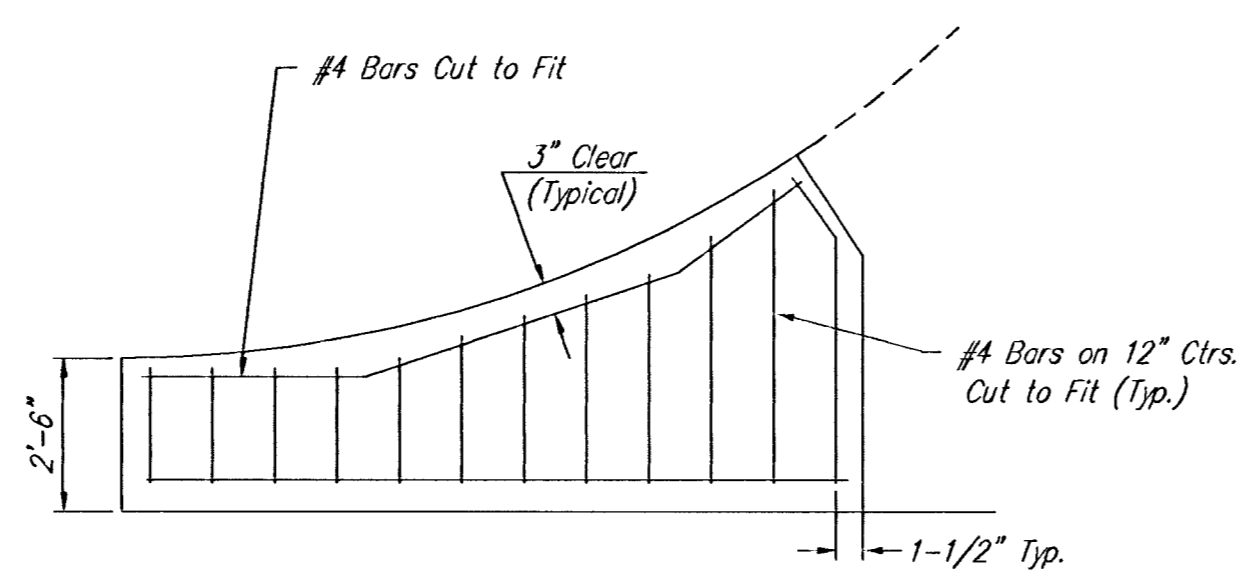
LONGITUDINAL JOINT DETAIL (L.J.)



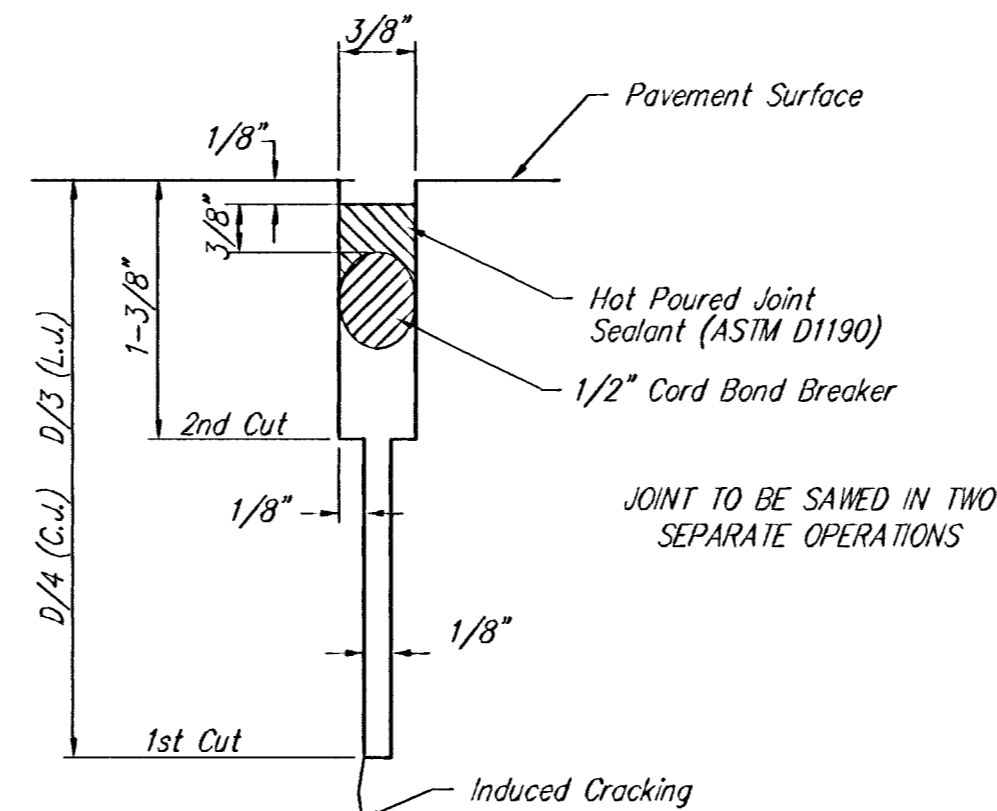
OPTIONAL LONGITUDINAL JOINT DETAIL (L.J.)



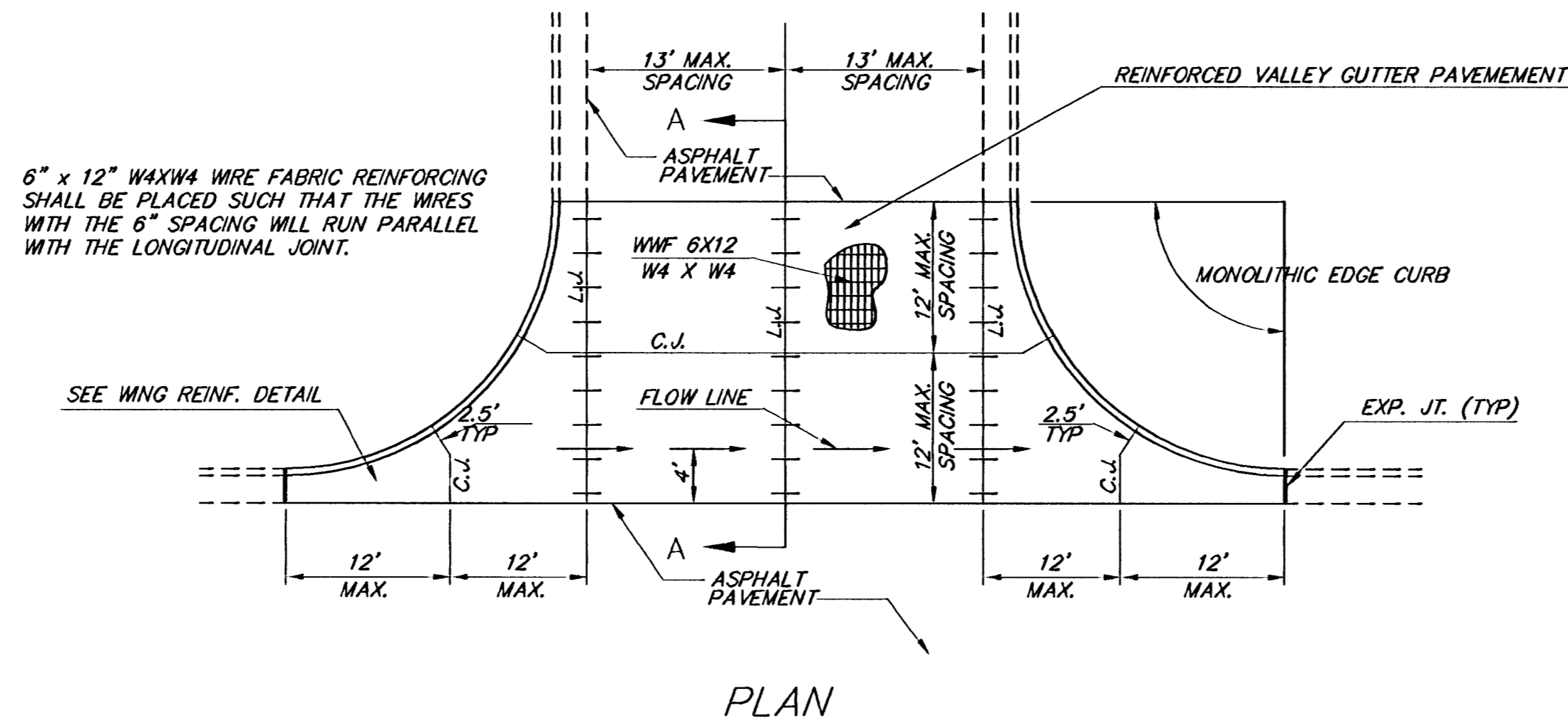
OPTIONAL CONTRACTION JOINT



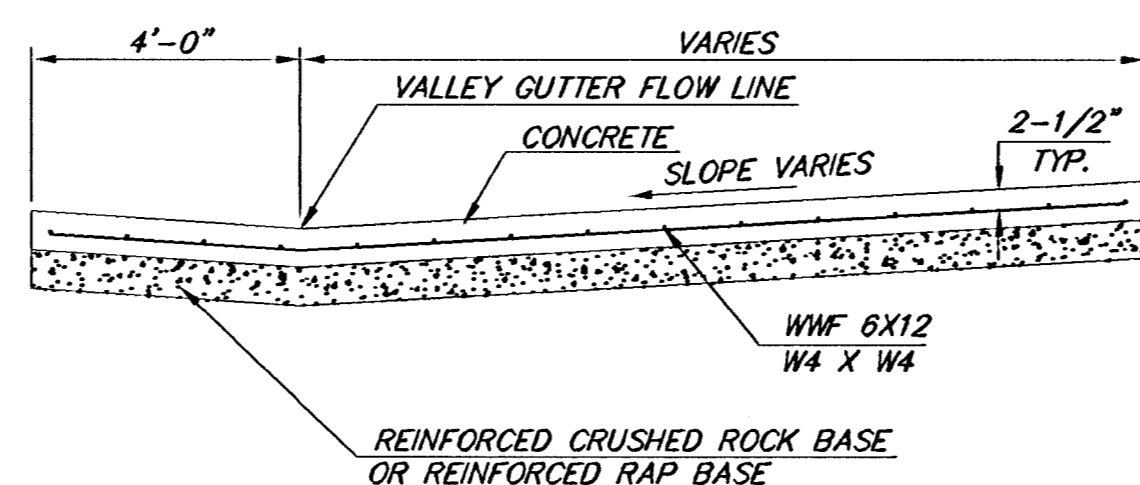
WING REINFORCING DETAIL



SAW JOINT DETAIL

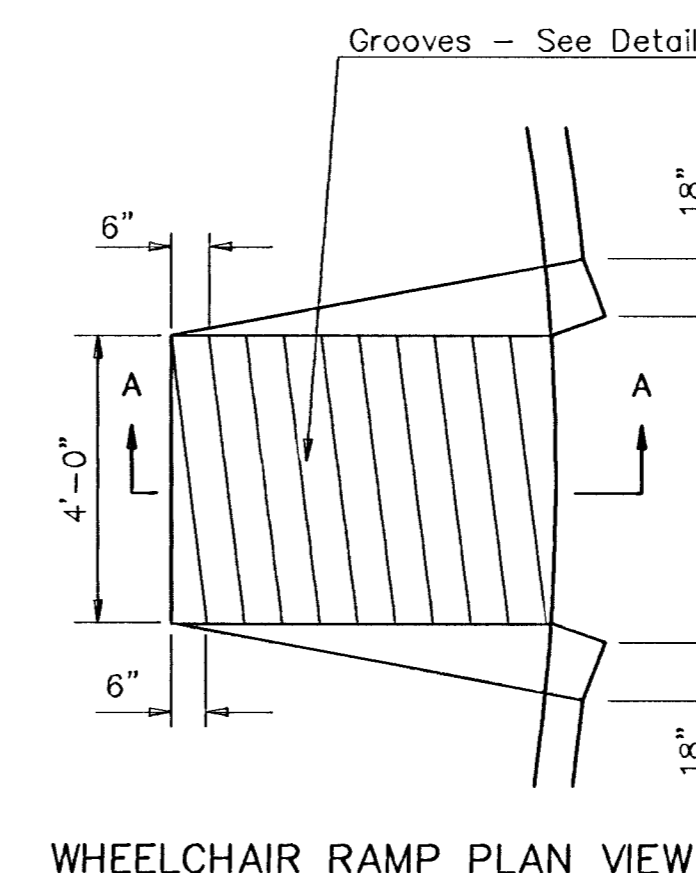


PLAN

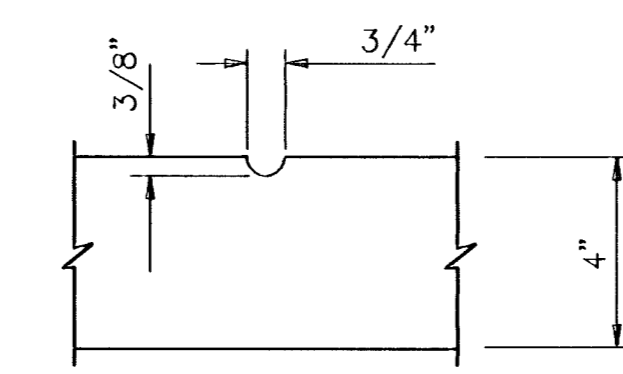


SECTION A-A

REINFORCED VALLEY GUTTER DETAIL

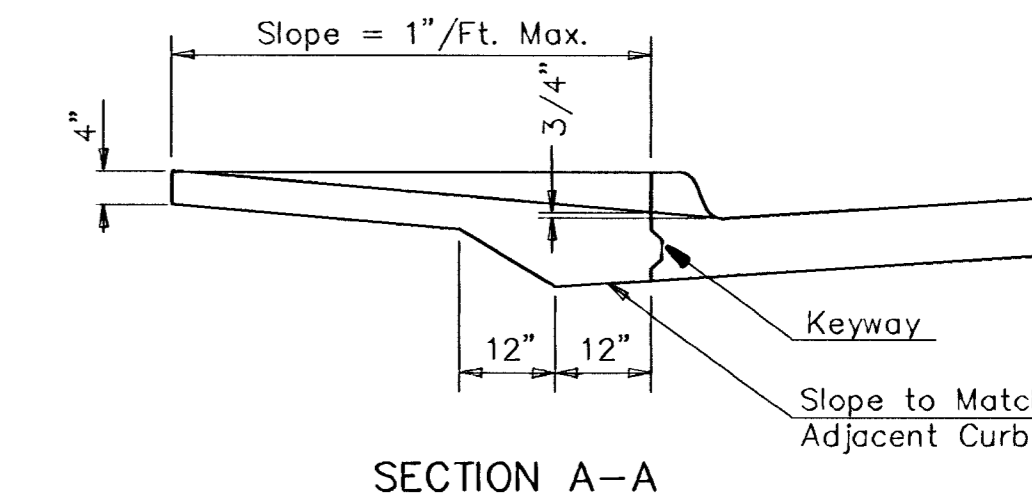


WHEELCHAIR RAMP PLAN VIEW

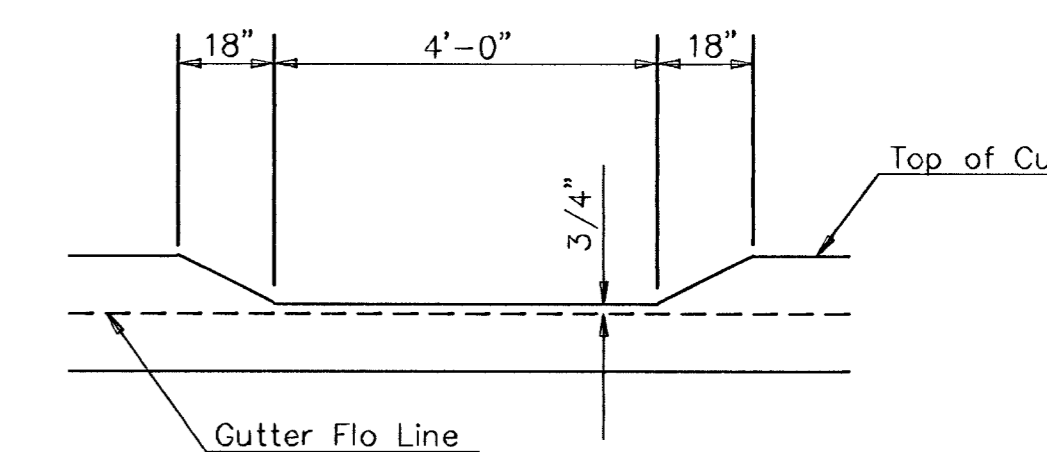


GROOVE DETAIL

WHEELCHAIR RAMP DETAIL



SECTION A-A



DEPRESSED CURB DETAIL

<p>THE CITY OF WICHITA CITY ENGINEER'S OFFICE CITY HALL - SEVENTH FLOOR 455 NORTH MAIN STREET WICHITA, KANSAS 67202 (316) 268-4501 (316) 268-4114 FAX</p>	VALLEY GUTTER DETAILS	
	WHEELCHAIR RAMP DETAILS	
	M. E. LINDEBAK P.E. - CITY ENGINEER	
	PROJECT NUMBER 472-83432	OCA # 765702
DATE MAR 96	SHEET 6 OF 12	