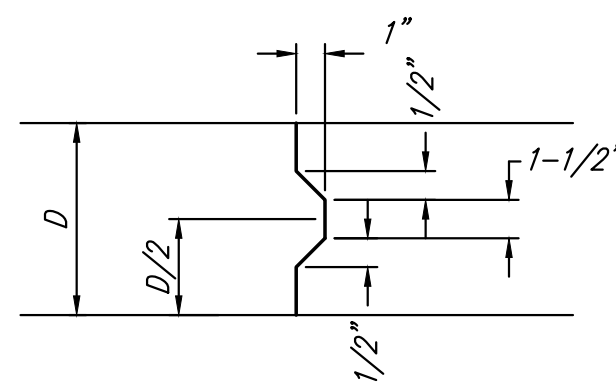
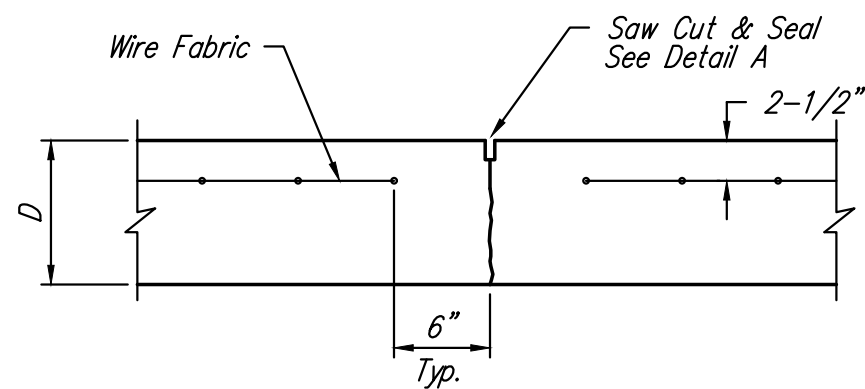


EXPANSION JOINT

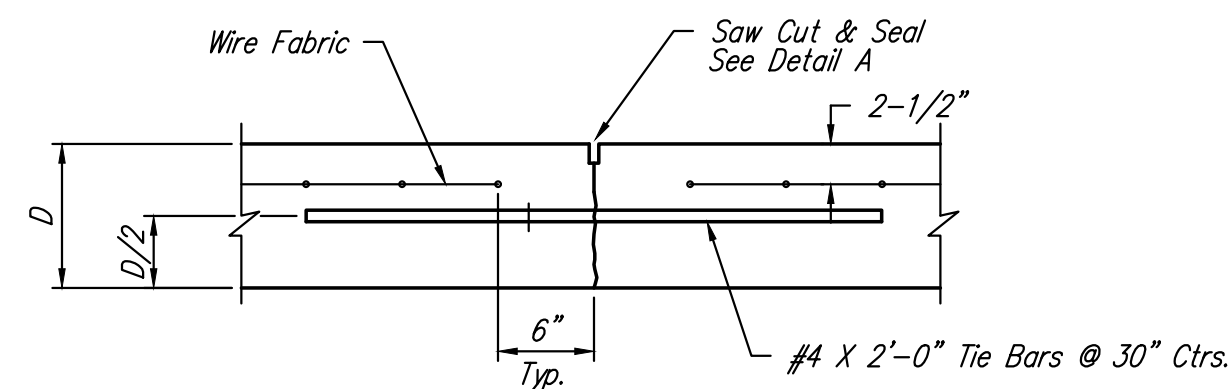
NOTE: Extra Thickness to be Subsidiary to Price of Square Yards Pavement



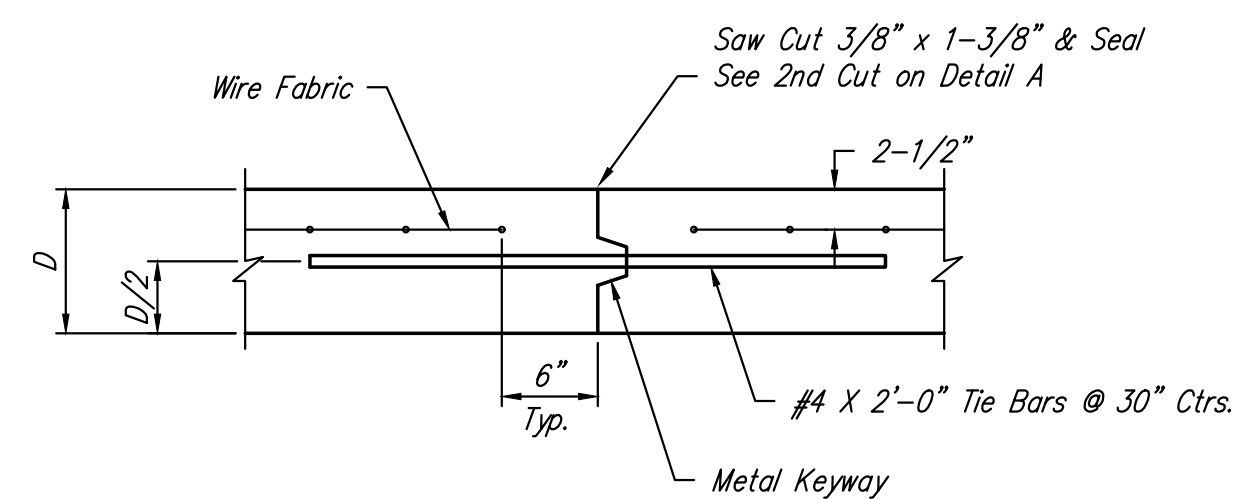
KEYWAY DETAIL



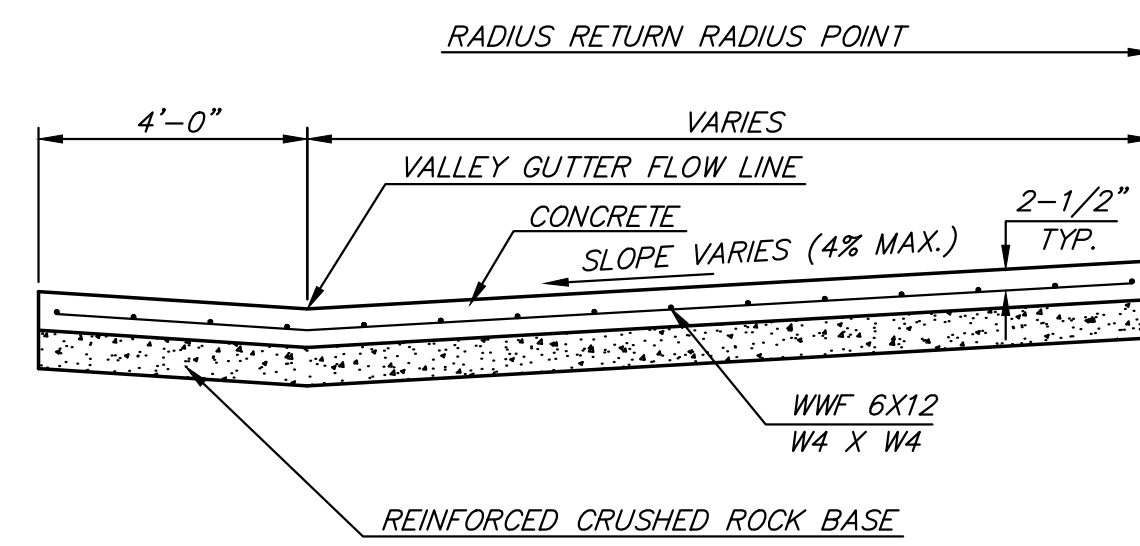
CONTRACTION JOINT DETAIL (C.J.)



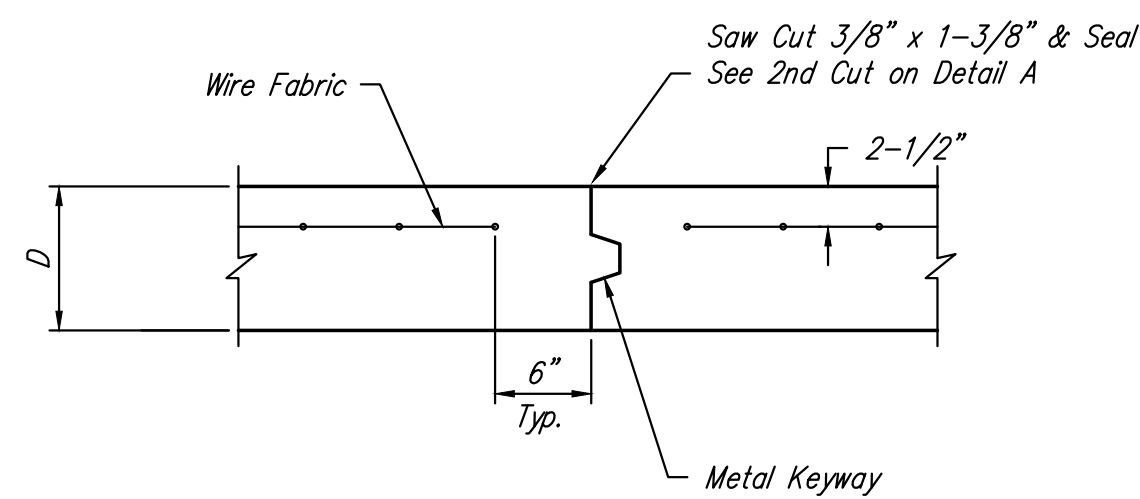
LONGITUDINAL JOINT DETAIL (L.J.)



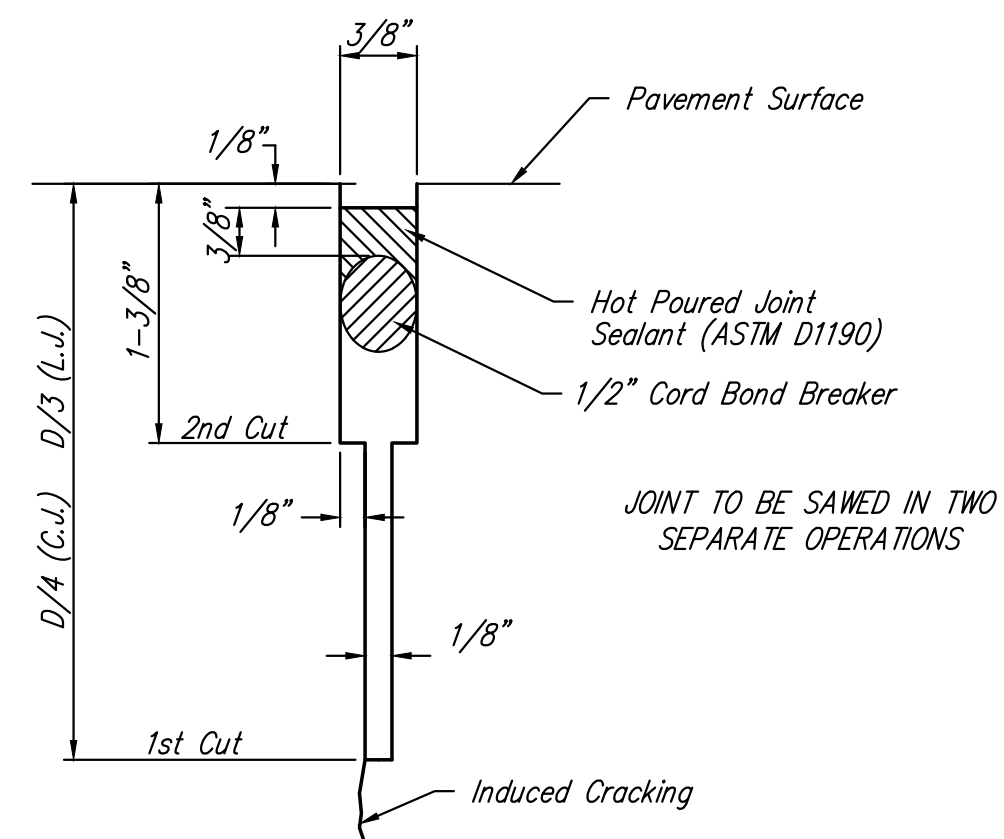
OPTIONAL LONGITUDINAL JOINT DETAIL (L.J.)



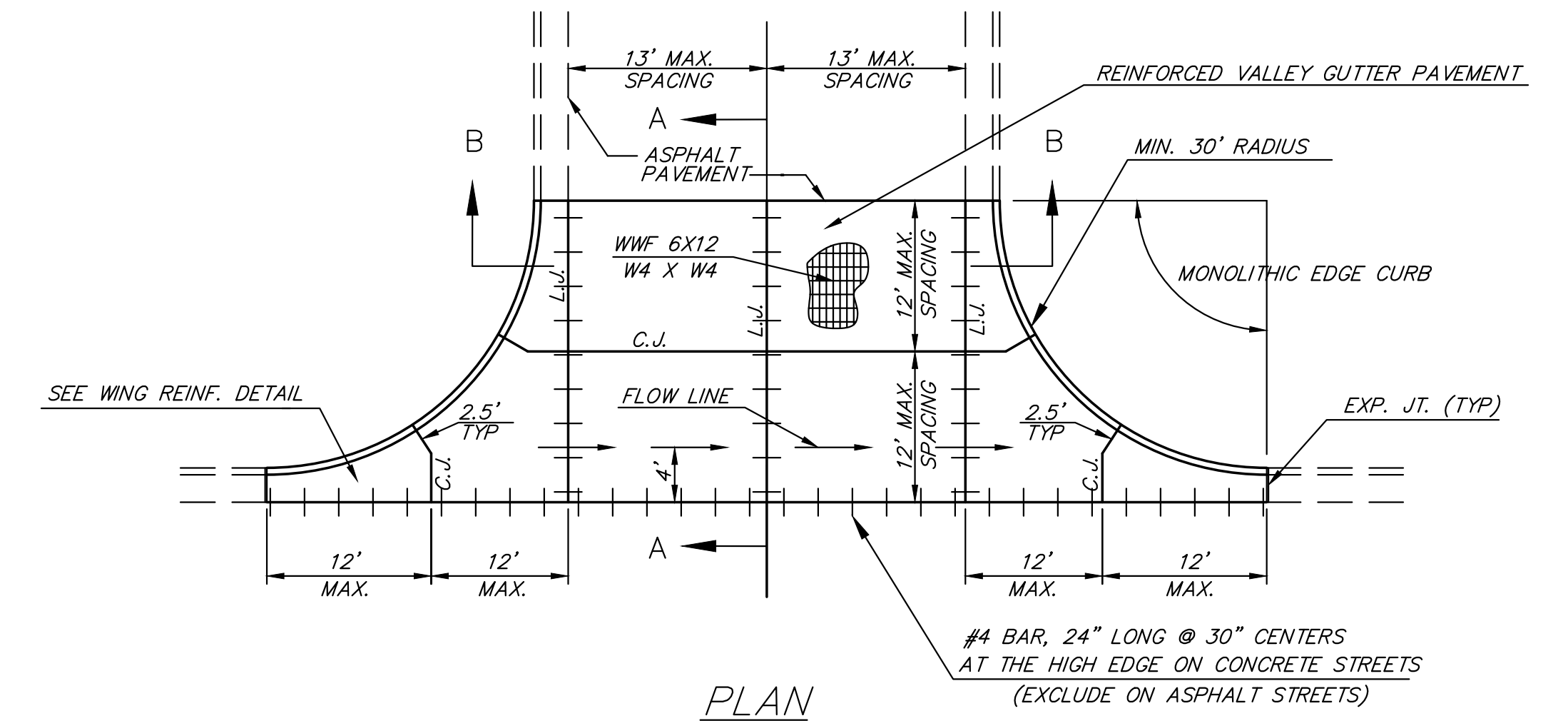
SECTION A-A



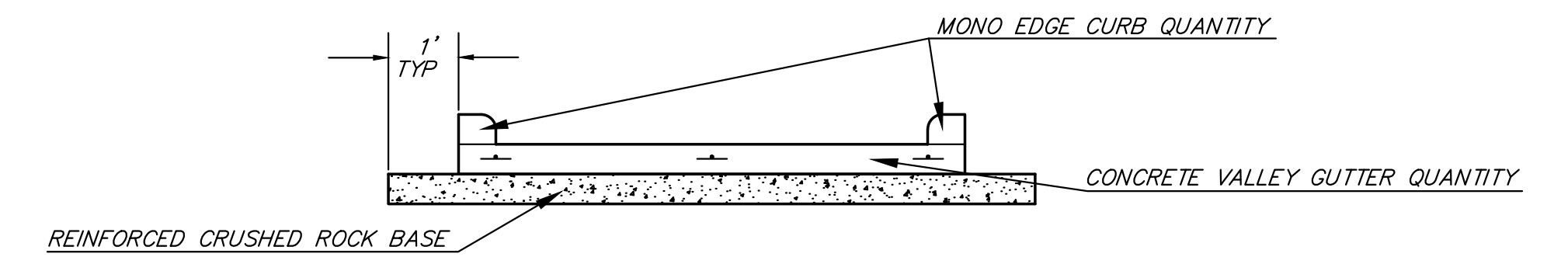
OPTIONAL CONTRACTION JOINT



SAW JOINT DETAIL (DETAIL A)

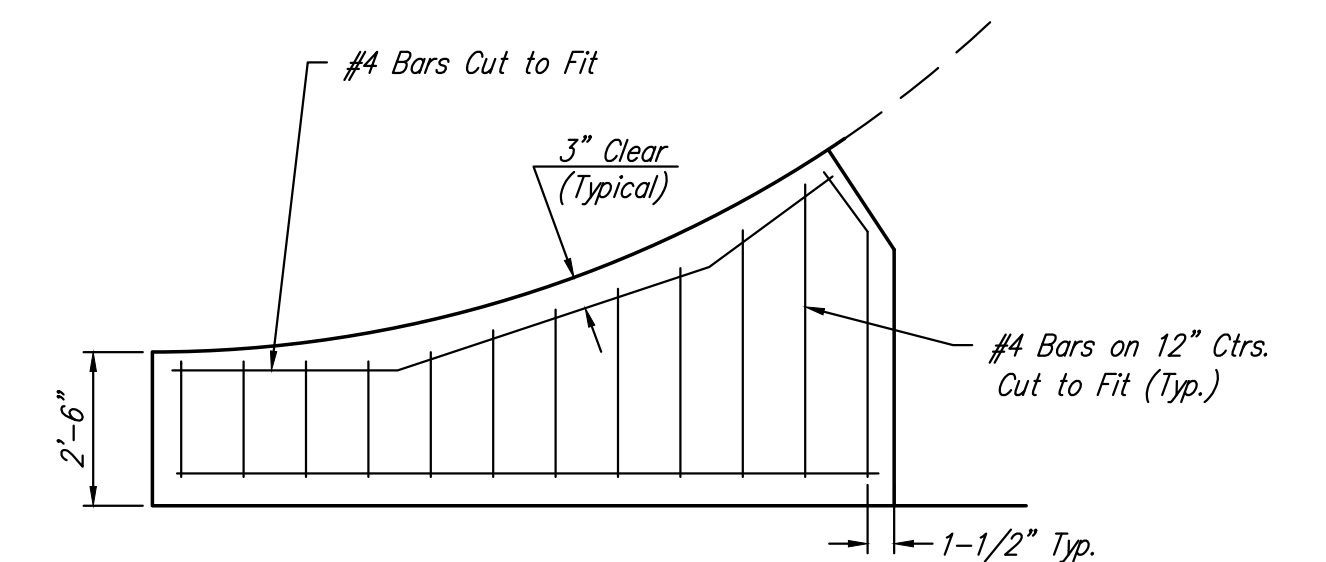


PLAN



SECTION B-B

REINFORCED VALLEY GUTTER DETAIL



WING REINFORCING DETAIL

REVISION MAY 2017	SECTION B-B, ROCK EXTENDED ONE FOOT BEYOND PAVEMENT		
VALLEY GUTTER DETAILS			
CITY ENGINEER GARY JANZEN, P.E.			
PROJECT NUMBER 472-2023-085905	OCA NUMBER ###	DATE APR. 2024	
CITY ENGINEER'S OFFICE CITY HALL - SEVENTH FLOOR 455 NORTH MAIN STREET WICHITA, KANSAS 67202-1620 (316) 268-4501			SHEET 4 OF 23

J:\Projects\2022\2201010892_The Moorings Plaza Fourth Addition\00 22892 CAD\SHTS\05 Civil\Fov\22892-05-5102 PH1.dwg