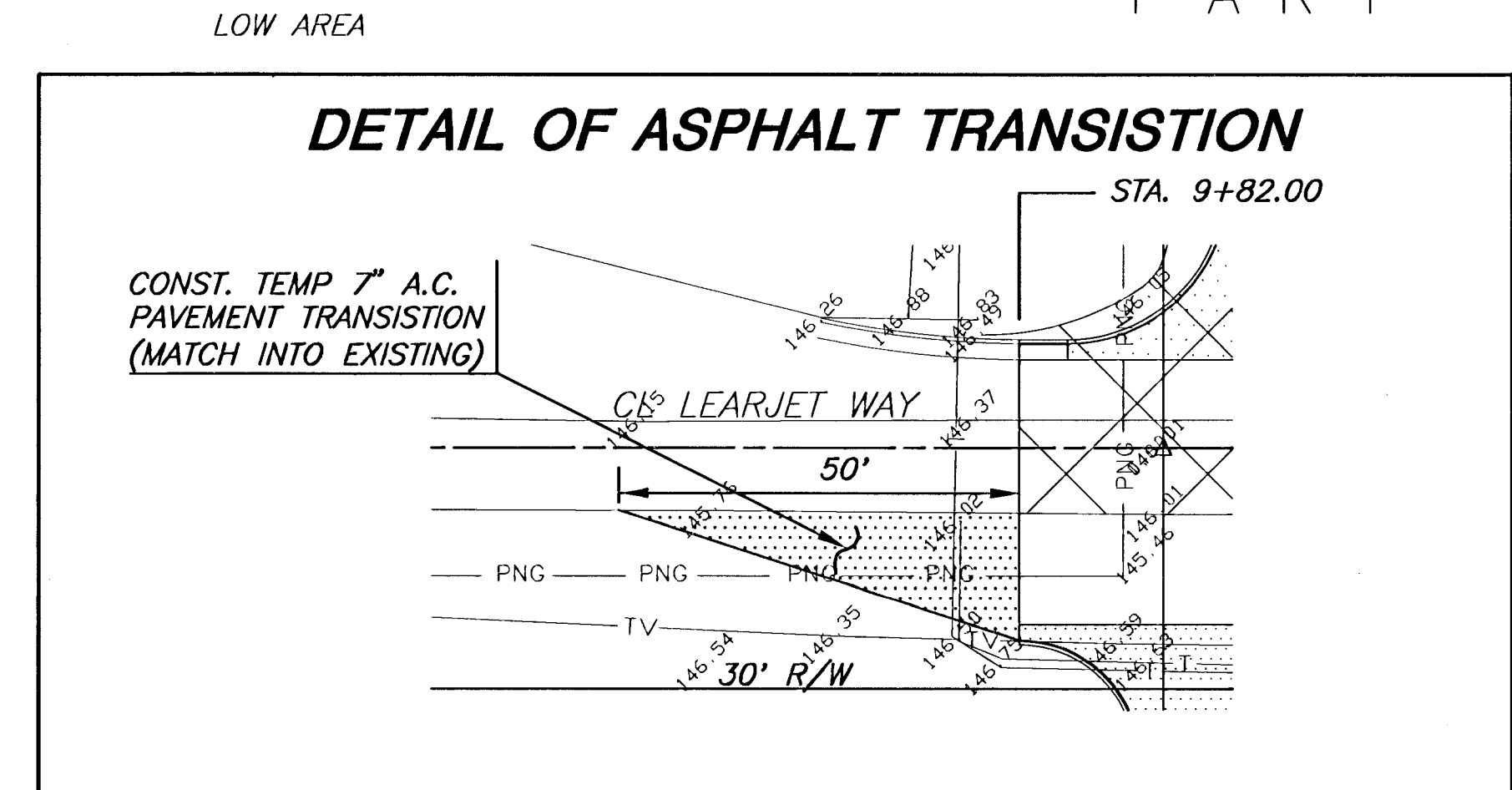
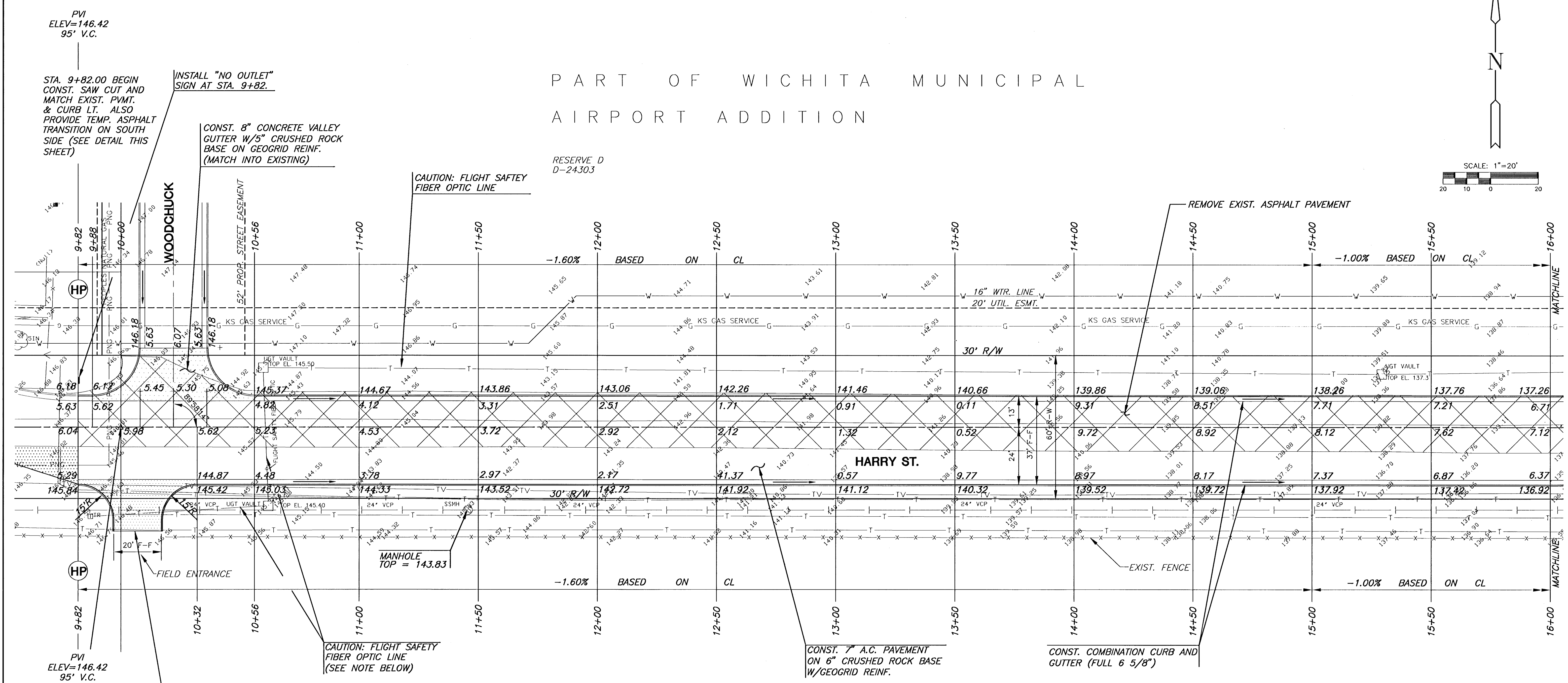




# PART OF WICHITA MUNICIPAL AIRPORT ADDITION

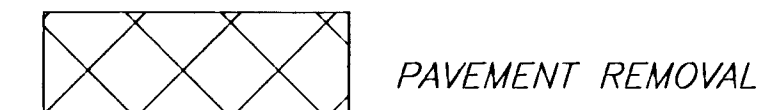
RESERVE D  
D-24303



NOTE: FIBER OPTIC LINE FROM RISER AT STA. 9+84 RT TO VAULT AT STA. 10+57 LT WILL BE RELOCATED DURING CONSTRUCT OF LEARJET. THE LINE WHEN RELOCATED WILL RUN NE FROM RISER AT STA. 9+84 RT TO VAULT AT STA. 10+57 LT ELIMINATING VAULT AT 10+57 RT. CONTRACTOR WILL NEED TO COORDINATE WITH FLIGHT SAFETY AS TO WHEN EXISTING PAVEMENT IN THIS AREA WILL BE REMOVED SO THAT THE LINE CAN BE RELOCATED. EXPECTED TIME TO RELOCATE LINE IS 1 WEEK.

# PART OF WICHITA MUNICIPAL AIRPORT ADDITION

PART OF RESERVE F  
D-24305



**MKEC**  
ENGINEERING CONSULTANTS  
411 N. WEBB ROAD  
WICHITA, KS. 67208  
316-684-9600

**LEARJET WAY IMPROVEMENTS**  
PROJECT NAME

**PAVING PLANS**  
SHEET TITLE

DESIGN BY: **JTC/GJA**      DRAWN BY: **TLT/BSH**      CHECKED BY: **JTC/GJA**

DATE: **OCTOBER 2000**      DRAWING NAME: **99034\_E1**      SHEET OF: **5 / 14**

H:\CIVIL\99034\PAVE\99034\_E1.DWG F1:JUL 13 07:36:15 2001