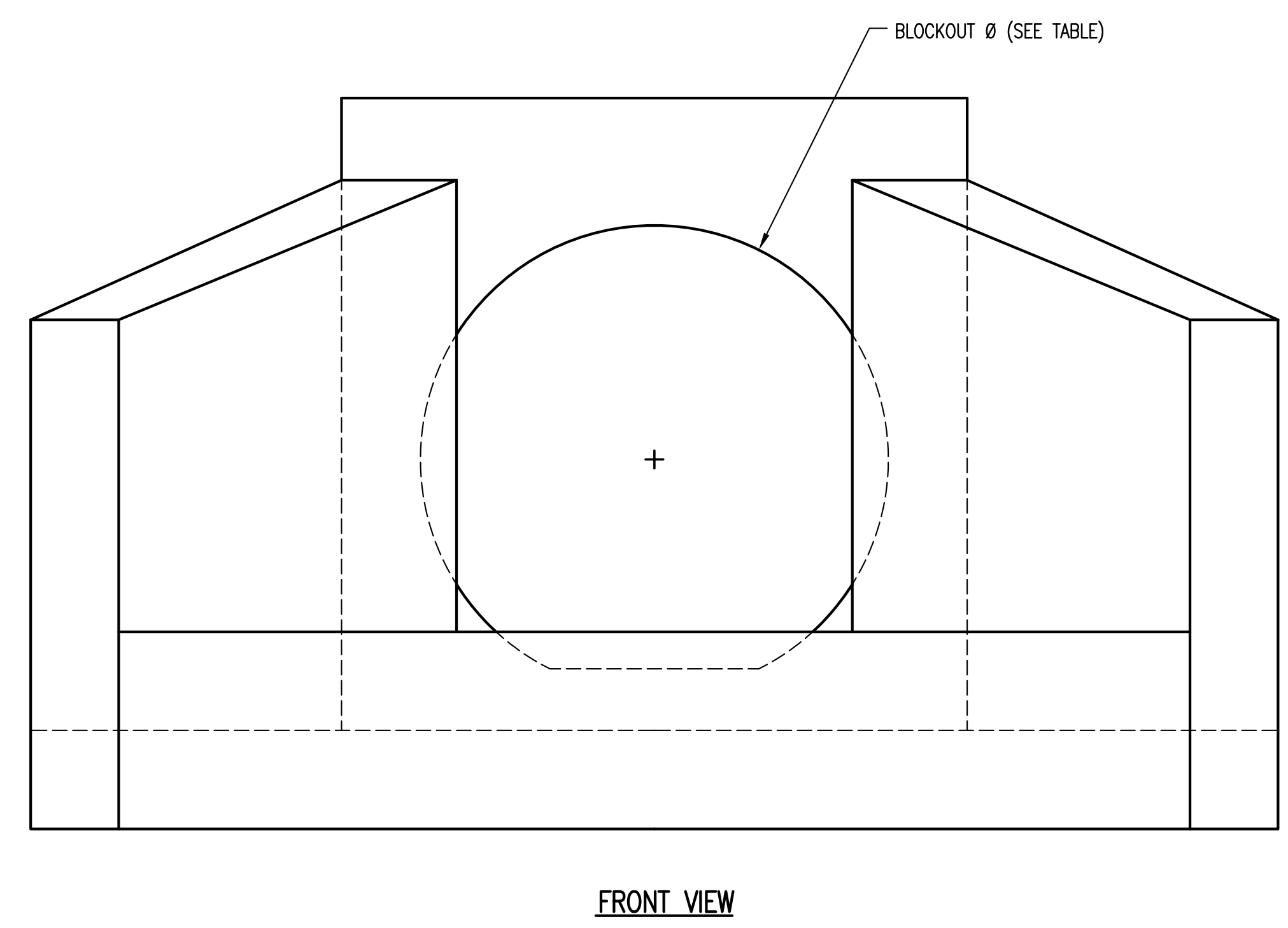
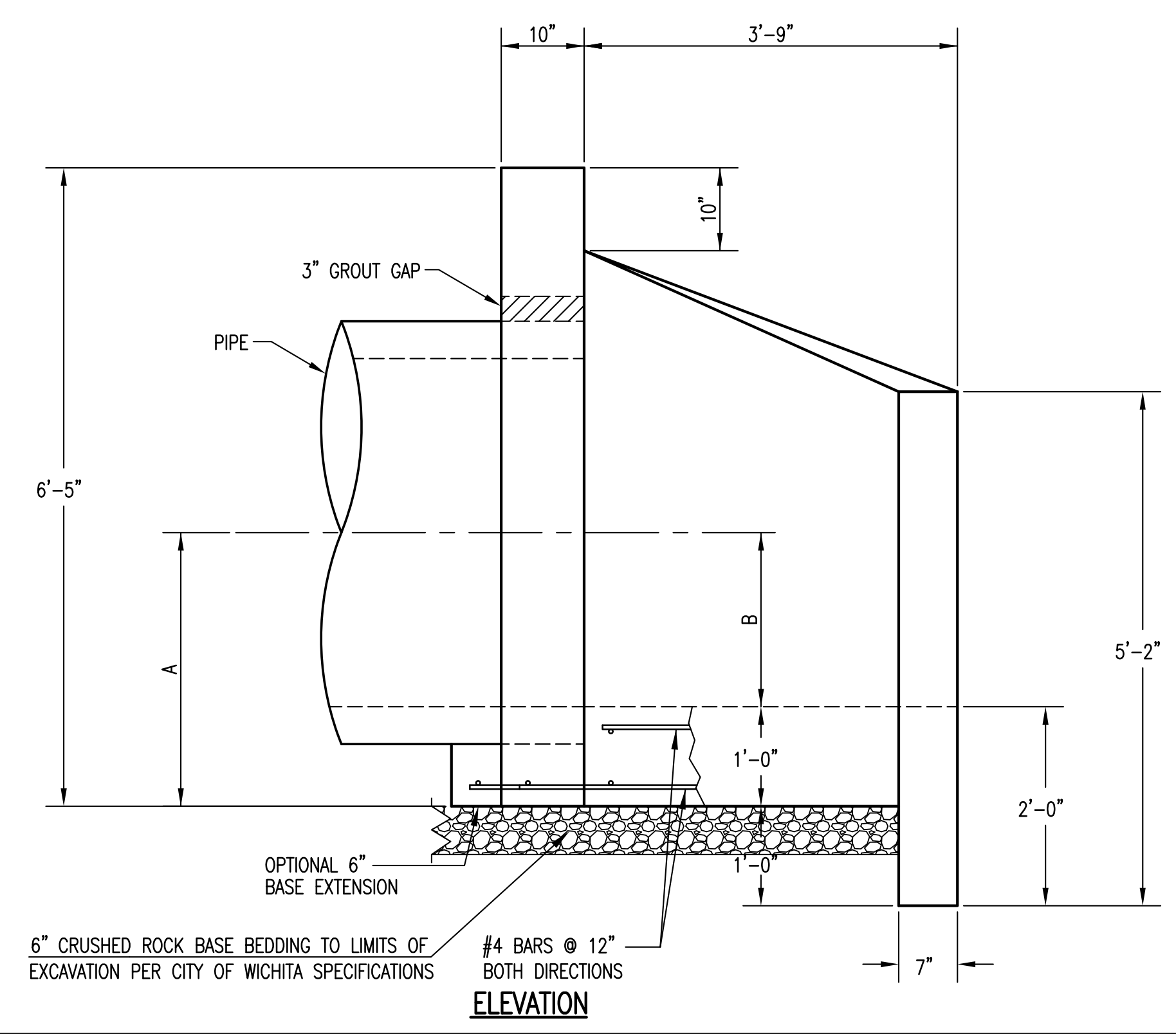


PIPE Ø	A	B	BLOCKOUT Ø
42"	2'-9"	1'-9"	4'-9"
48"	3'-0"	2'-0"	5'-4"



HEADWALLS, AS SHOWN, WILL NOT SUPPORT FLAP GATE.

REVISED: MARCH 2015



**HEADWALL
DETAILS FOR
42" AND 48" PIPE**

CITY ENGINEER
GARY JANZEN, P.E.

PROJECT NUMBER	OCA NUMBER	DATE
----------------	------------	------

CITY ENGINEER'S OFFICE
CITY HALL - SEVENTH FLOOR
455 NORTH MAIN STREET
WICHITA, KANSAS 67202-1620
(316) 268-4501

SHEET
23 of 37