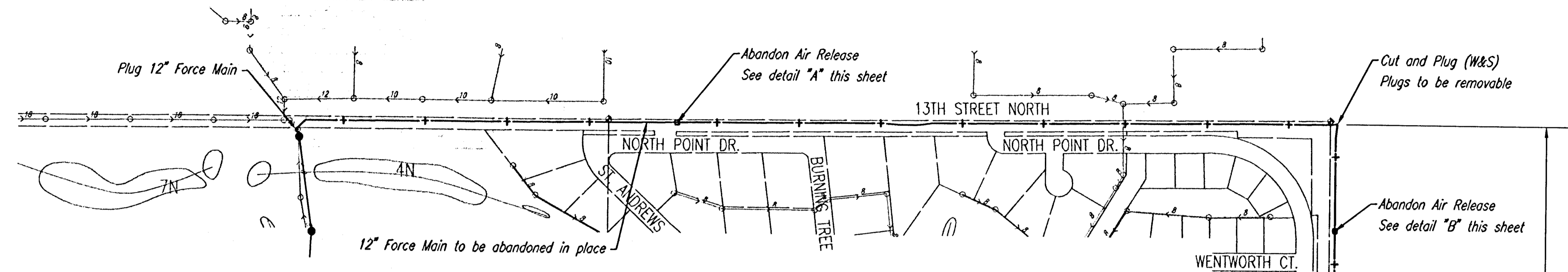


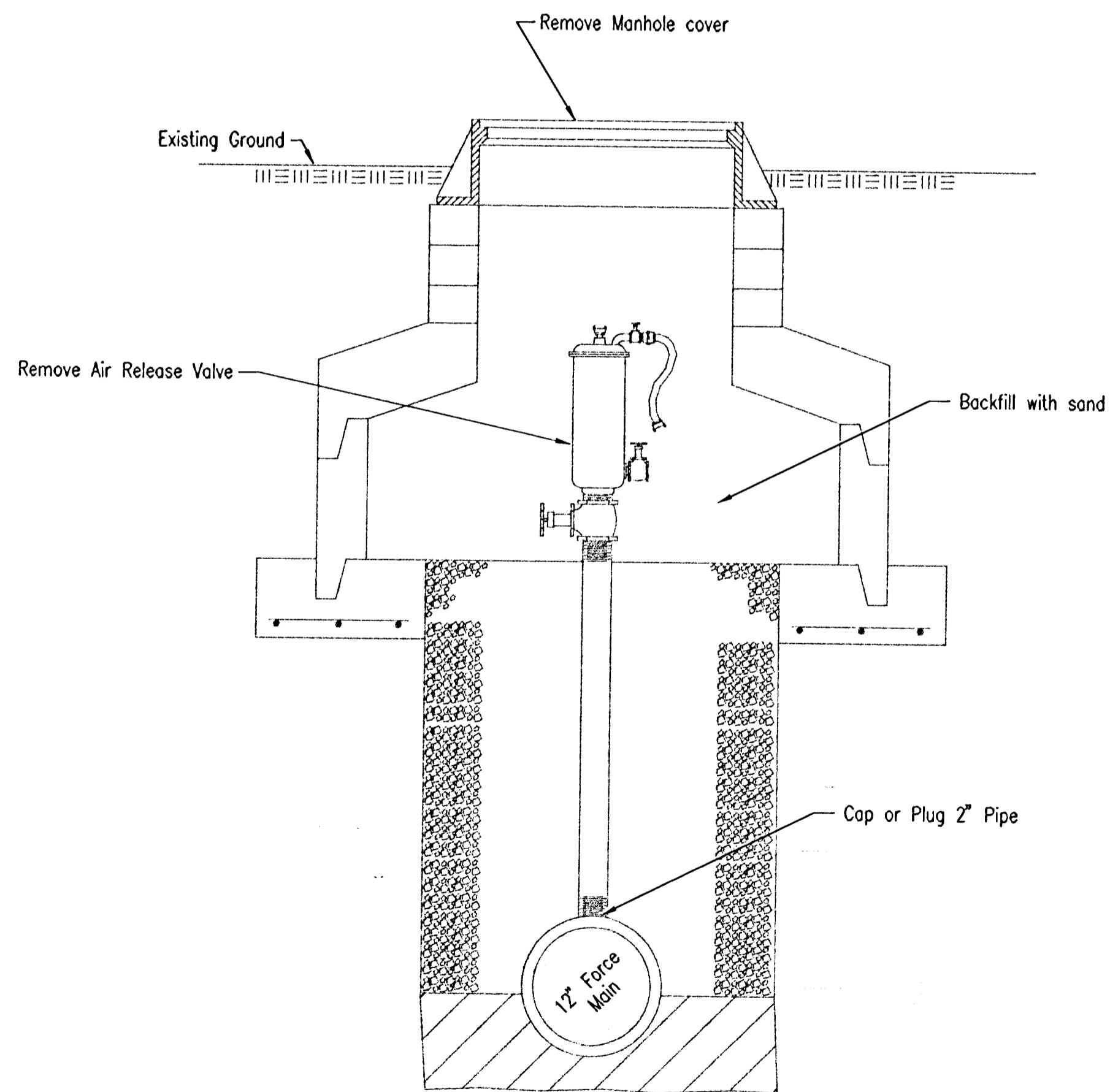
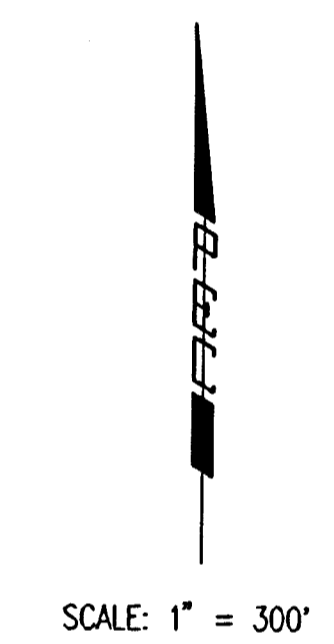
CONCRETE GOLF CART PATH REMOVAL AND REPLACEMENT DETAIL
NO SCALE



12" FORCE MAIN ABANDONMENT

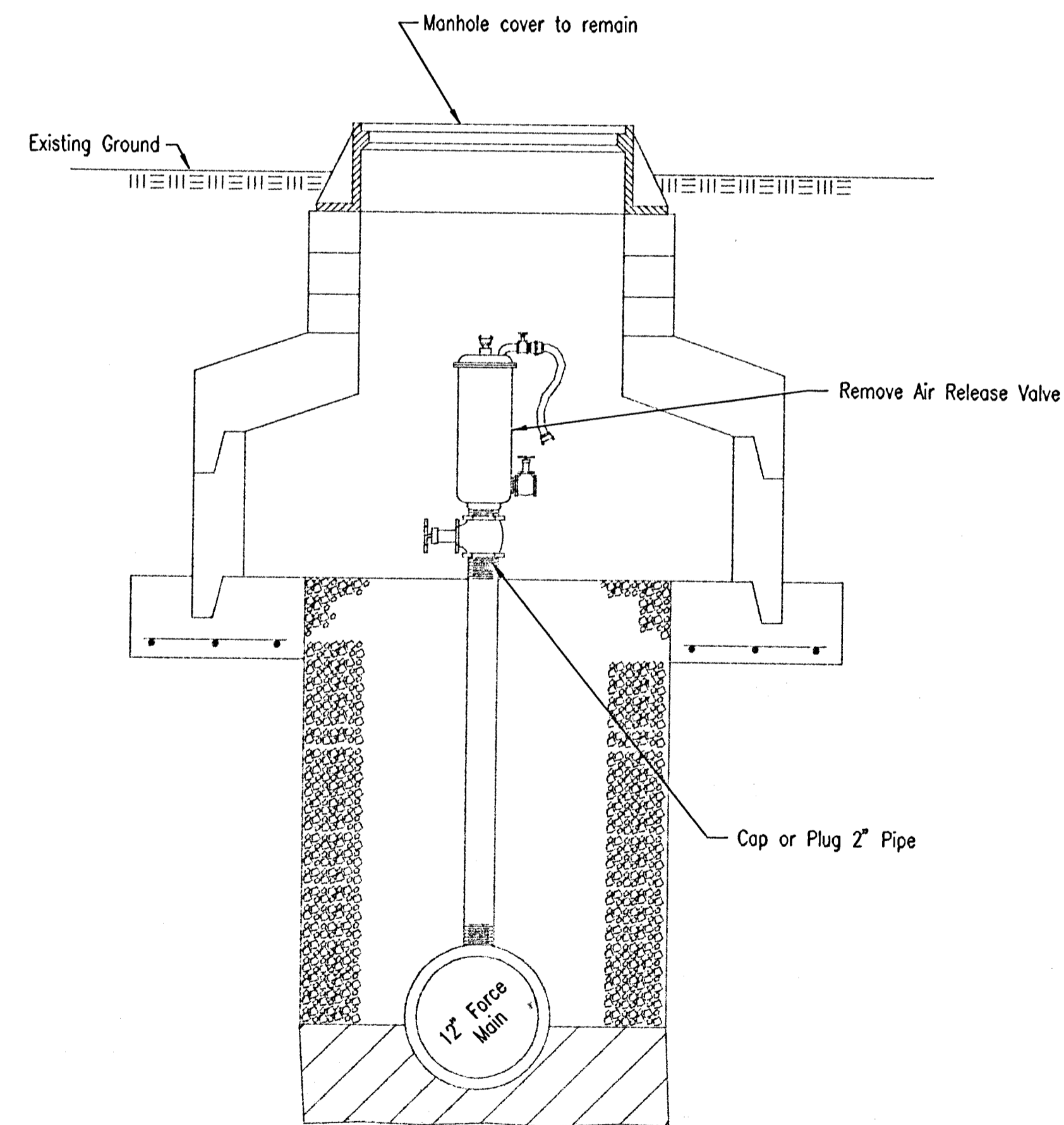
Prior to beginning the pigging, flushing, and disinfection operations of the existing force main, the Contractor shall provide a minimum of 24 hours notice to the following personnel:

Acting Sewage Treatment Operations Supervisor
Mr. Mike Tullis
Cell 648-5382
Office 303-8713
If Mr. Tullis can't be reached, contact Mr. Jode Dundas at 303-8702



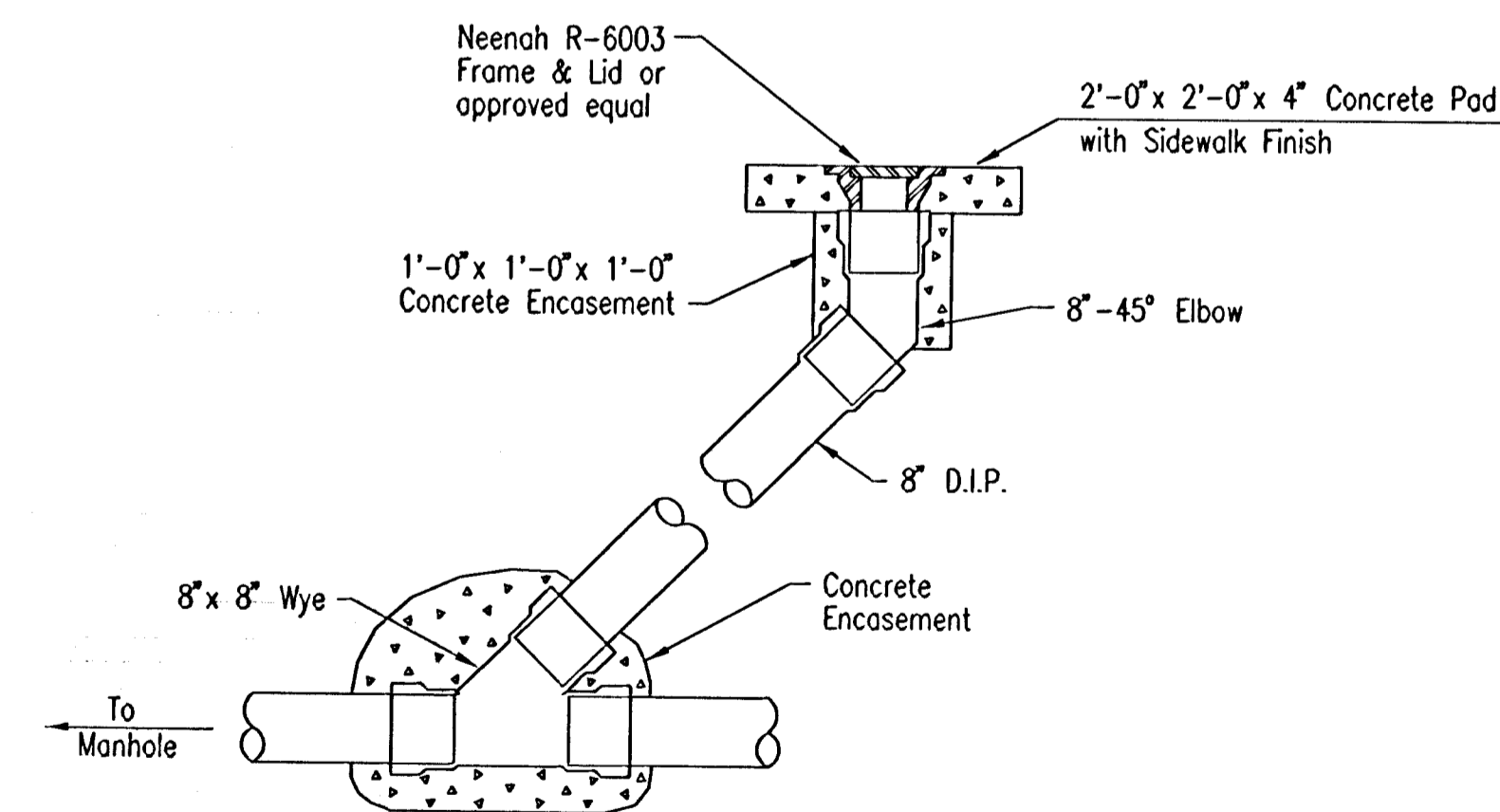
Contractor shall remove the Air Release Valve, miscellaneous piping and the top portion of the Air Release Vault (to be a minimum of 4' below finish grade), including frame and cover and adjusting rings, then backfill Vault with sand to 2' below grade. The remaining 2' shall be backfilled and compacted to 95% of ASTM D-698 with approved soil. All materials to be removed shall be disposed of by the Contractor properly.

FORCE MAIN AIR RELEASE ABANDONMENT - DETAIL "A"
NO SCALE



Contractor shall remove Air Release Valve and miscellaneous piping. Air Release Vault to remain.

FORCE MAIN AIR RELEASE ABANDONMENT - DETAIL "B"
NO SCALE



8" CLEANOUT DETAIL

	Revision		By	Date
	MAIN 17, FOUR MILE CREEK CRESTVIEW SEWER - PHASE 1 FORCE MAIN ABANDONMENT AND MISCELLANEOUS DETAILS			
	JAMES L. ARMOUR, P.E. - ACTING CITY ENGINEER CITY OF WICHITA PROJECT NO. 468-83903			
	Professional Engineering Consultants, P.A. 303 S. TOPEKA • WICHITA, KANSAS 67202 316-262-2691 • FAX 316-262-3003			
Designed by	MDK	Job No.	35-02633-3697	Sht. 13 of 23
Drawn by	JGA	Date	JULY 2004	