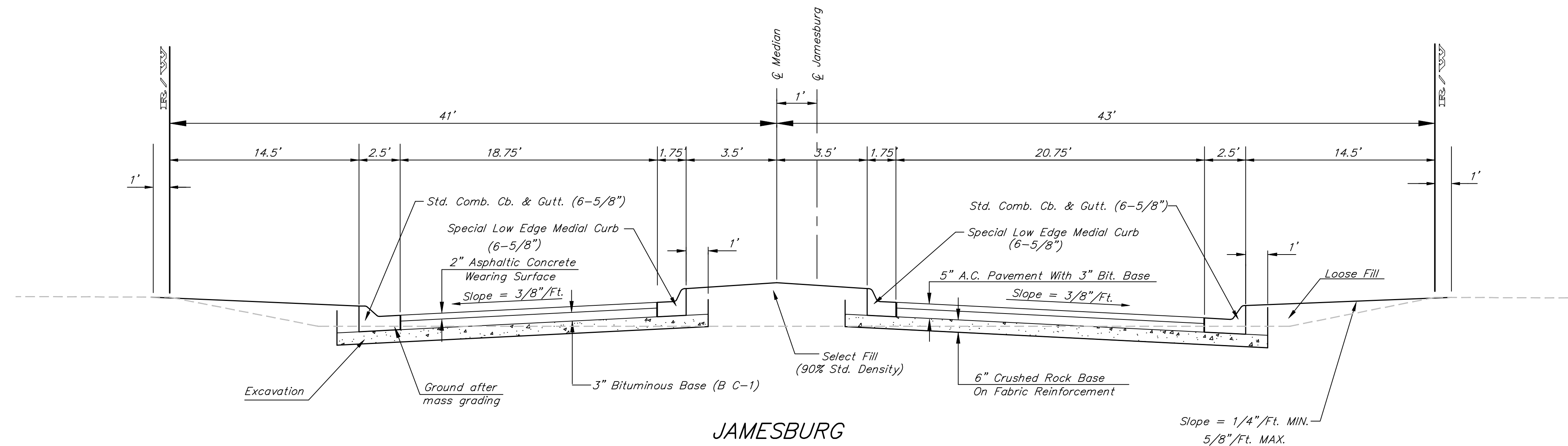
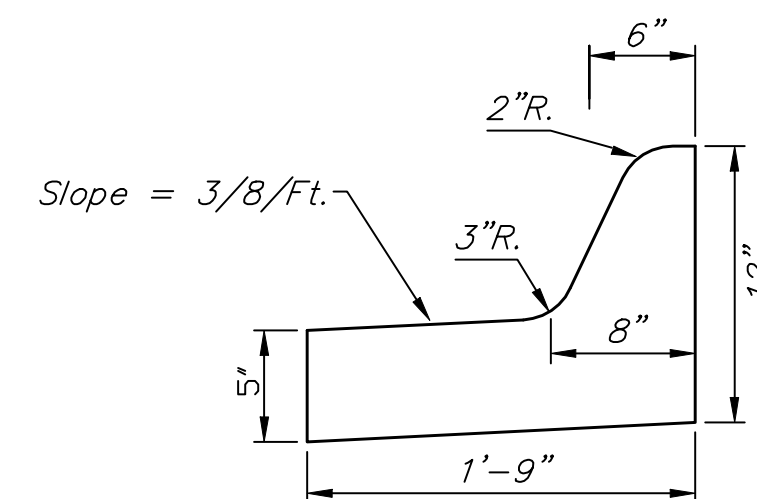


RIDGEPOINT



JAMESBURG



Medial Curb Detail
(Low Edge)
Not to Scale

Note: To be paid as Medial Curb & Gutter (6 5/8")

	Silverton Addition - Phase I ENTRANCE DETAILS Street Improvements	
	<small>Baughman Company, P.A. 315 Ellis St. Wichita, KS 67211 P 316-262-7271 F 316-262-0149 ENGINEERING SURVEYING PLANNING LANDSCAPE ARCHITECTURE</small>	
PROJECT NUMBER 472-84459	DESIGN STAFF APPROVED	DRAWN STAFF DATE 7/18/07
REVISIONS:	SCALE NONE SHEET 6 OF 44	
<small>/Entrdet</small>		