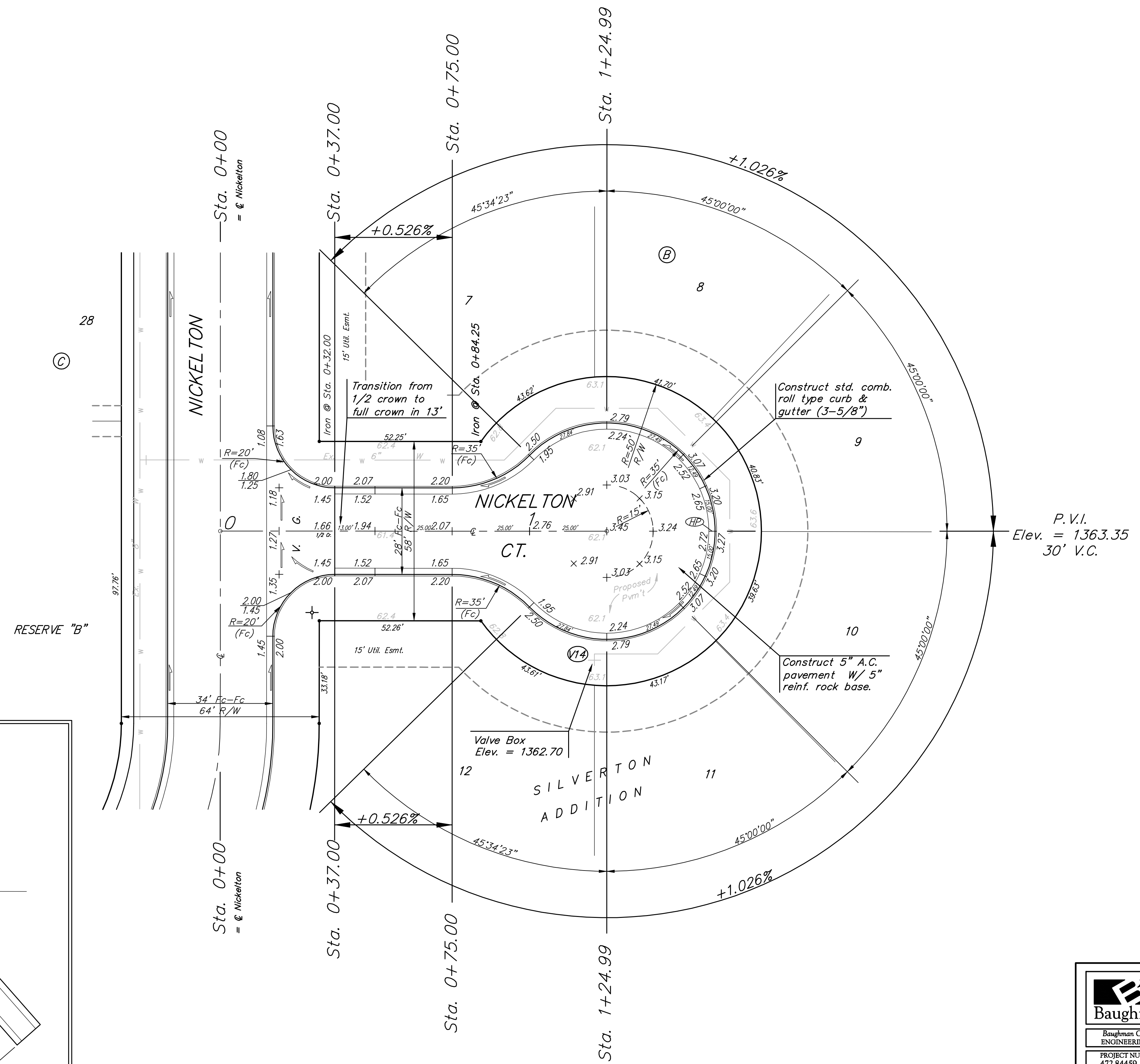
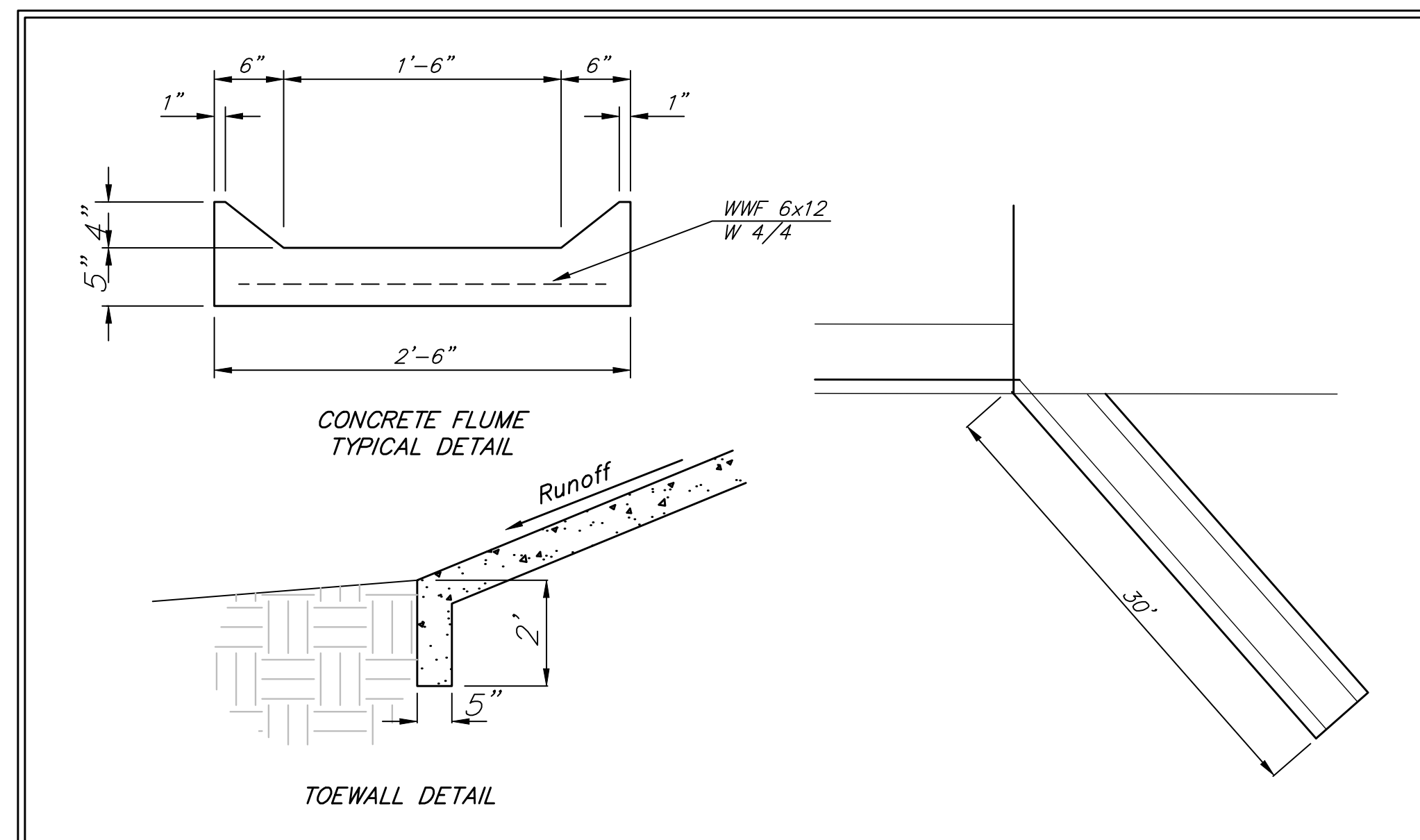
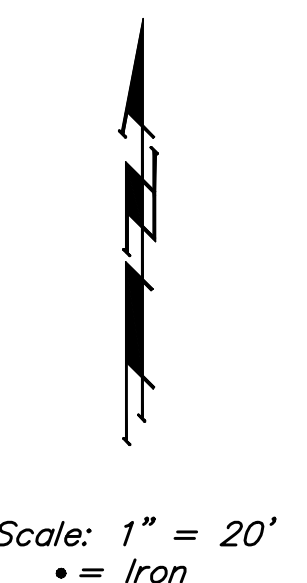


**BENCHMARKS:**  
 135th St. W. & 13th St. N. - City of Wichita Disc at Southwest Corner of Intersection, 30.00'± S. of C of 13th St. N. 35.00'± W. of C of 135th St. W.  
 Elev. = 1355.65 MSL

"□" Cut in Top of Curb 10' South of end of Existing Pavement, East Curb adjacent to Lot 12, Block D, Copper Gate North Addition.  
 Elev. = 1362.13 MSL

BM Disc in top Curb Adjacent to Fire Hydrant at E. End of N. Curb Return of Kiwi & Decker, adjacent to Lot 16, Block D, Copper Gate North Addition.  
 Elev. = 1361.04 MSL



**NOTE:** ROLL TYPE CURB & GUTTER TO BE CONSTRUCTED ON THE PAVEMENT SHOWN ON THIS SHEET. TOP OF CURB ELEVATIONS ARE GIVEN FOR FULL HEIGHT CURB.

<b>Baughman</b>		Silverton Addition - Phase I	
<b>NICKELTON CT</b>		Lots 7-12, Block B	
Baughman Company, P.A. 315 Ellis St. Wichita, KS 67211 P 316-262-7271 F 316-262-0149 ENGINEERING   SURVEYING   PLANNING   LANDSCAPE ARCHITECTURE			
PROJECT NUMBER 472-84459	DESIGN JAK	DRAWN TMS	
APPROVED NBW	DATE 7/18/07		
REVISIONS:	SCALE Noted		
	SHEET		
	<b>13</b> OF <b>44</b>		
Silverton\Phase1\Sr7		06-08-E621	