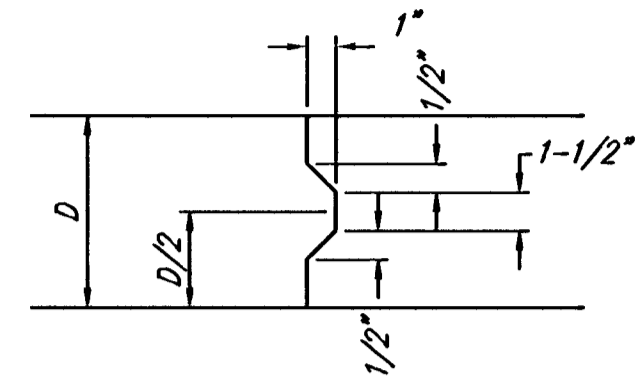
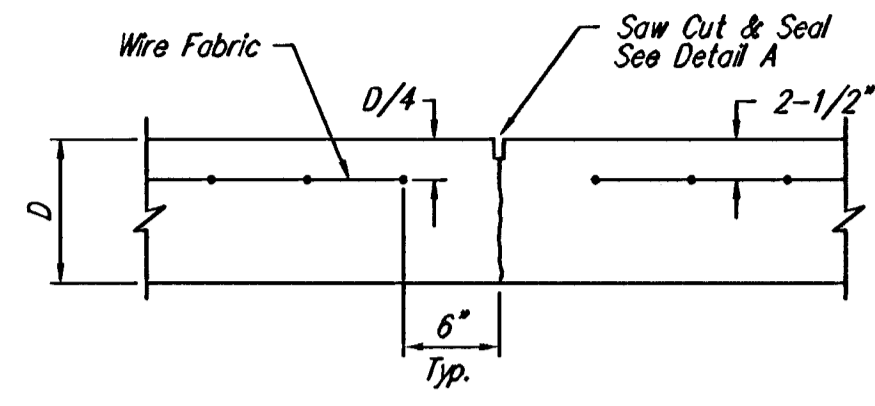


EXPANSION JOINT

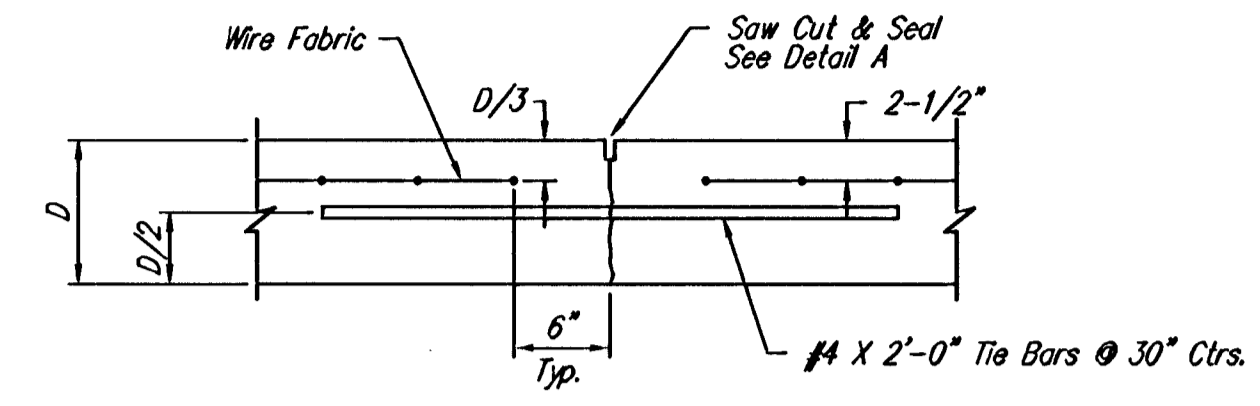
NOTE: Extra Thickness to be Subsidiary to Price of Square Yards Pavement



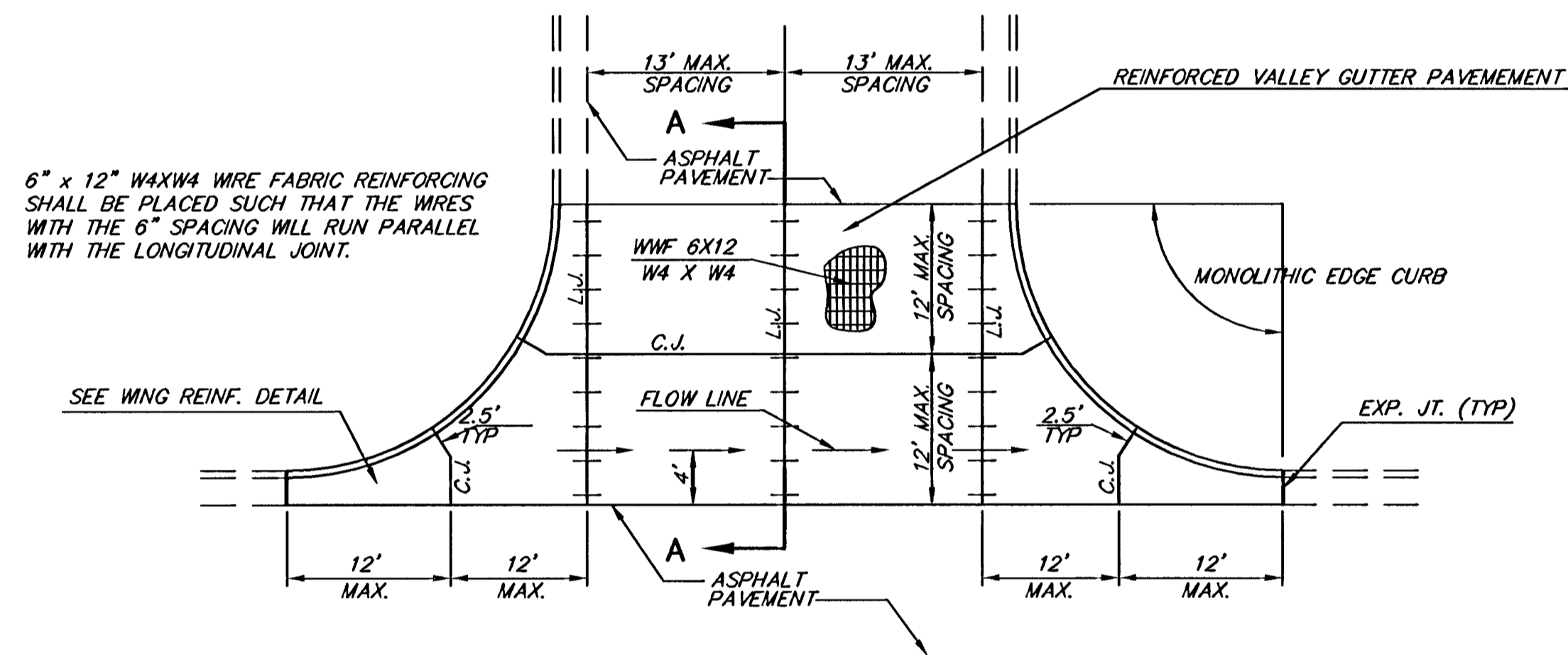
KEYWAY DETAIL



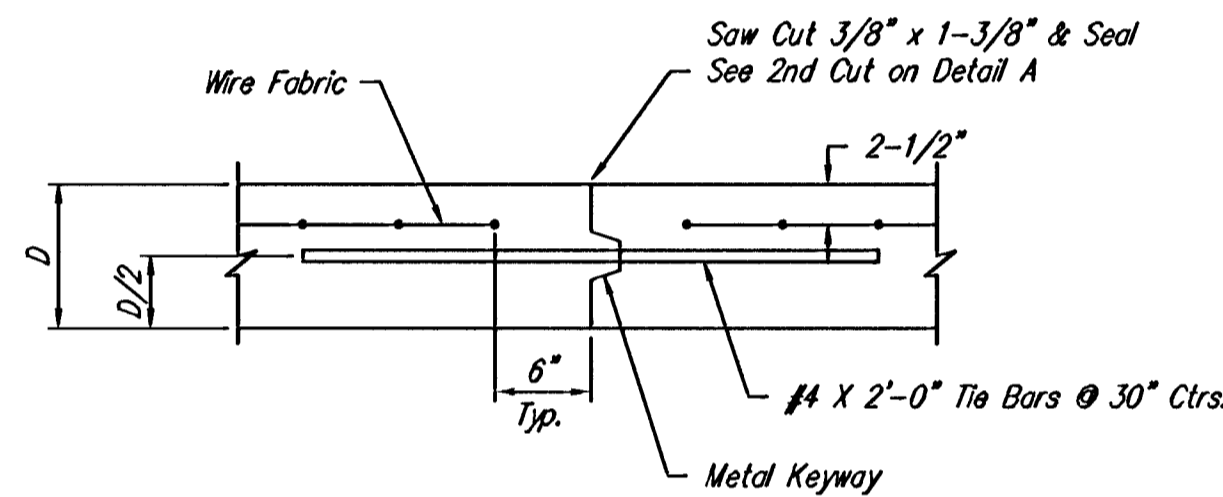
CONTRACTION JOINT DETAIL (C.J.)



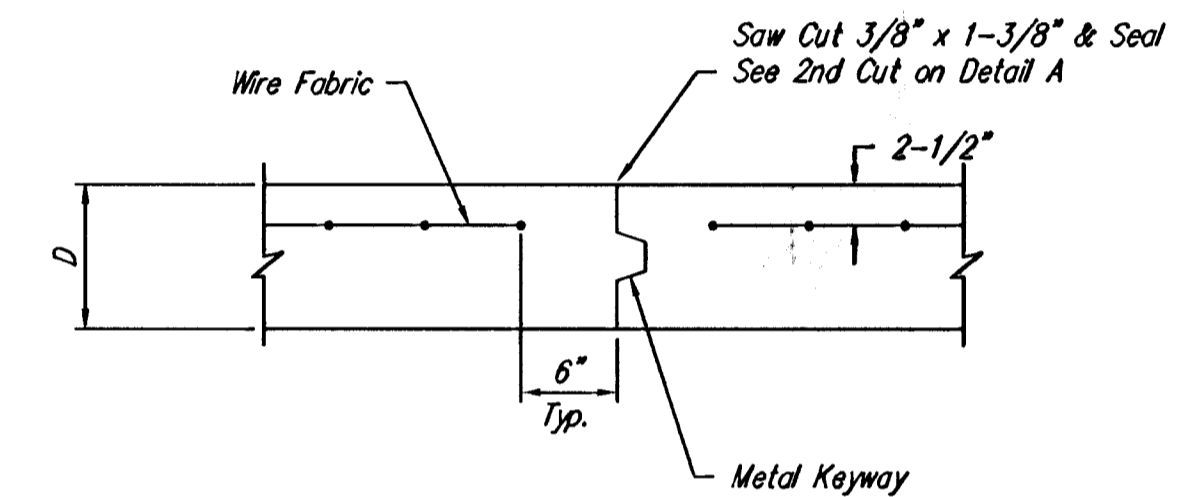
LONGITUDINAL JOINT DETAIL (L.J.)



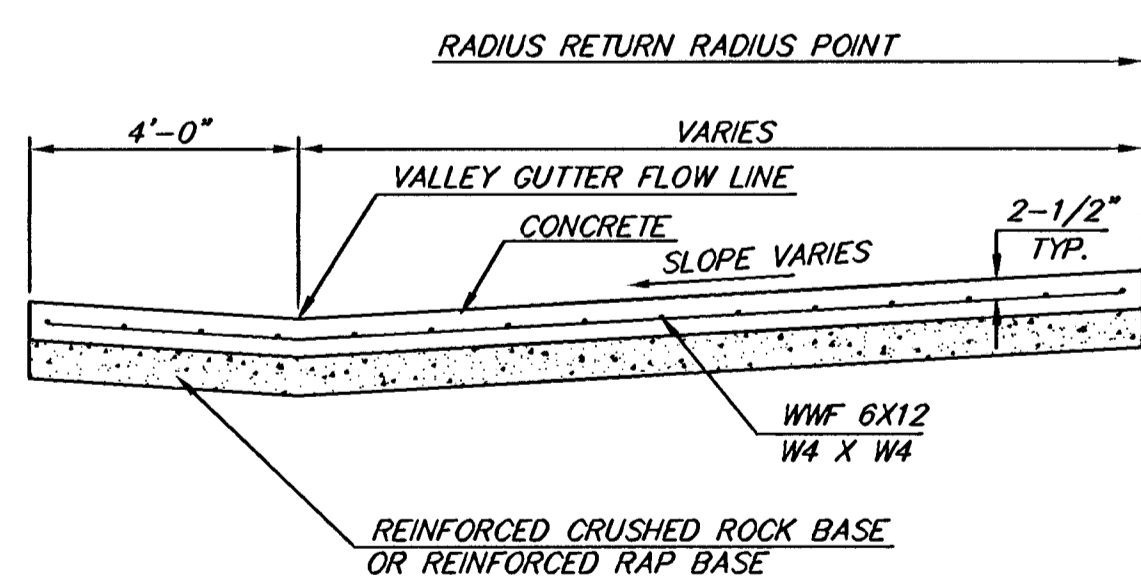
PLAN



OPTIONAL LONGITUDINAL JOINT DETAIL (L.J.)

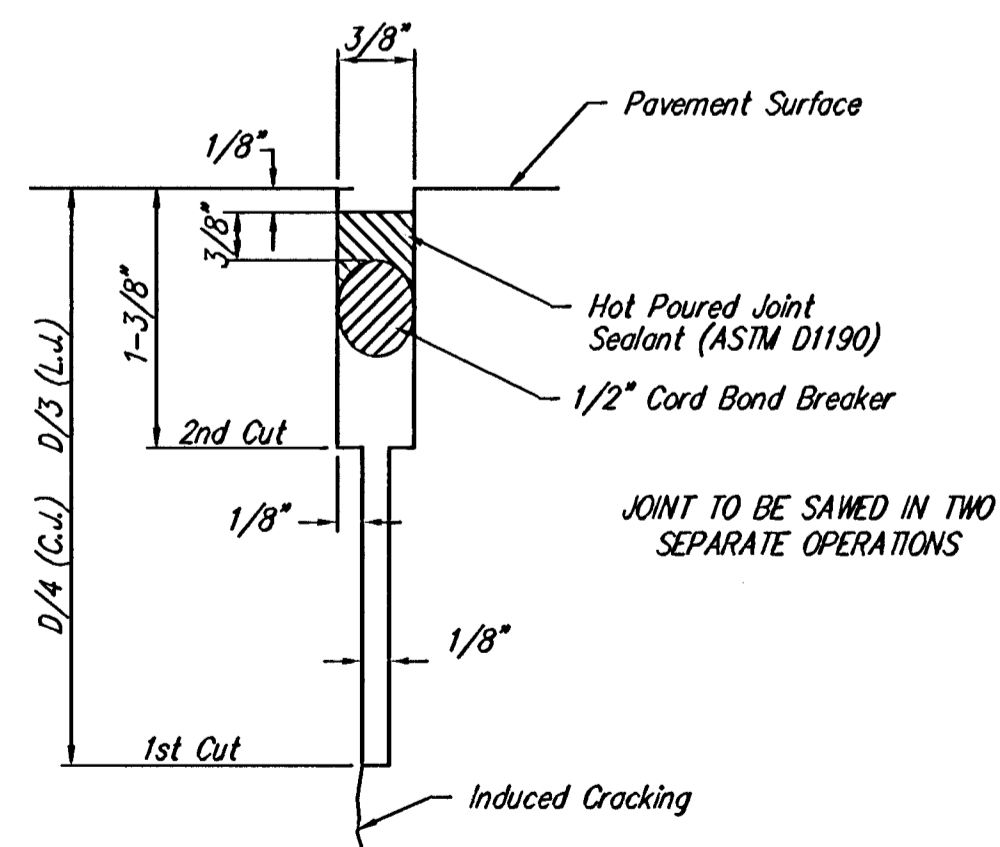


OPTIONAL CONTRACTION JOINT

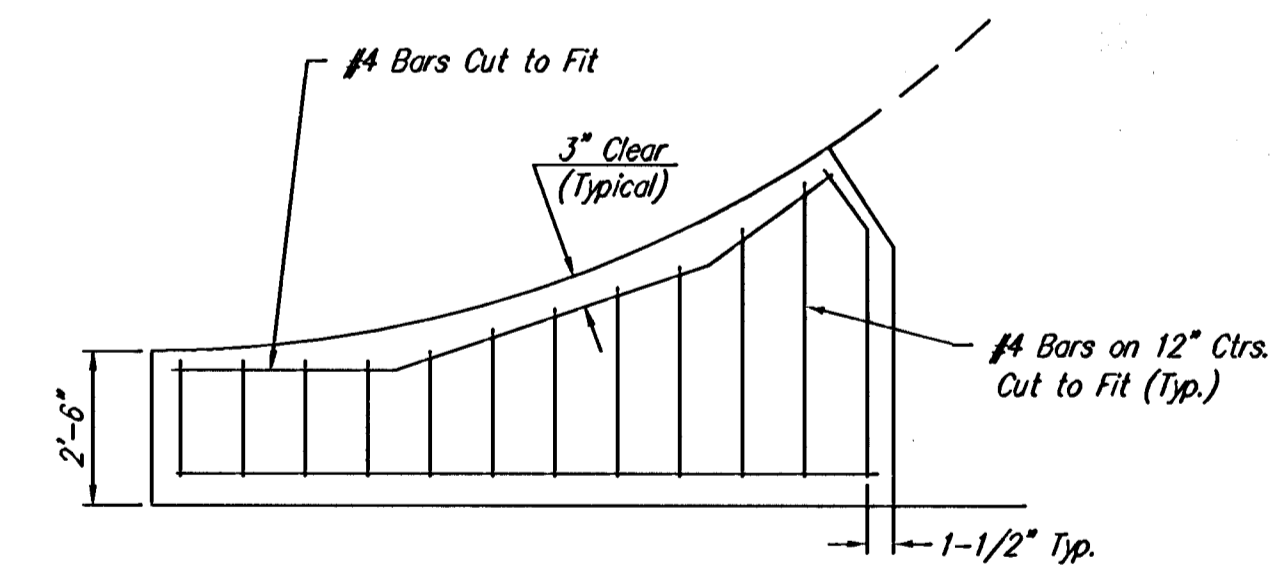


SECTION A-A

REINFORCED VALLEY GUTTER DETAIL



SAW JOINT DETAIL



WING REINFORCING DETAIL

JSNR_DEP_OPER: DEP SCALE: 1=1.00
 X:\STANDARD\Standards Wichita\SEBMP_PEC.DTL.S3 06-05-2001 02:03:06 pm

J:\City\04-25\Wing\Plan\Gilbert Phase 1\04-25\SEB.DWG

<p>THE CITY OF WICHITA</p> <p>CITY ENGINEER'S OFFICE CITY HALL - SEVENTH FLOOR 400 NORTH MAIN STREET WICHITA, KANSAS 67202 (316) 268-6901 (316) 268-1114 FAX</p>	VALLEY GUTTER DETAILS	
	JAMES L. ARMOUR, P.E. - CITY ENGINEER	
	PROJECT NUMBER 472-84350	OGA NO. 765977
	DATE DEC 2005	Sheet 4 of 19