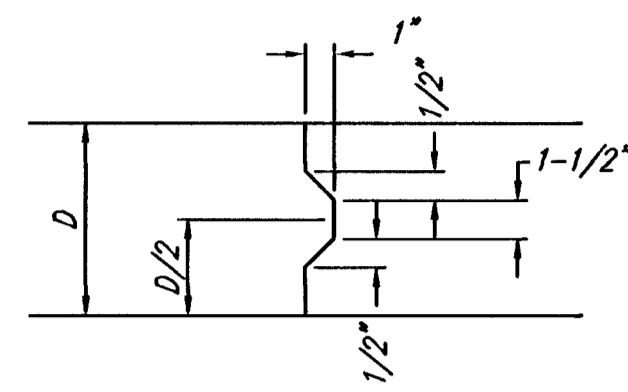
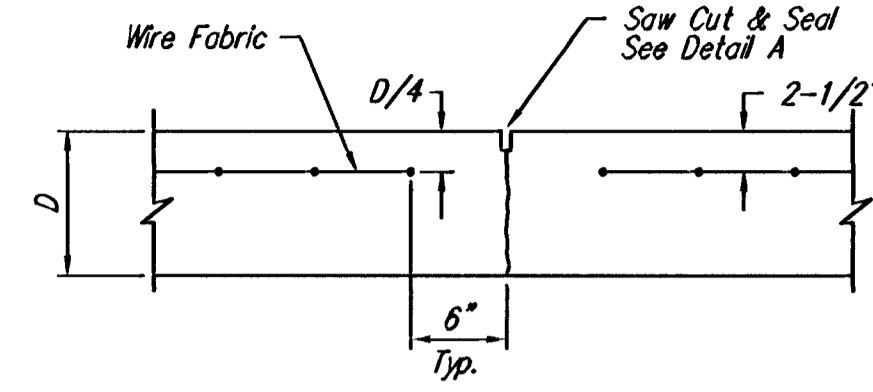


EXPANSION JOINT

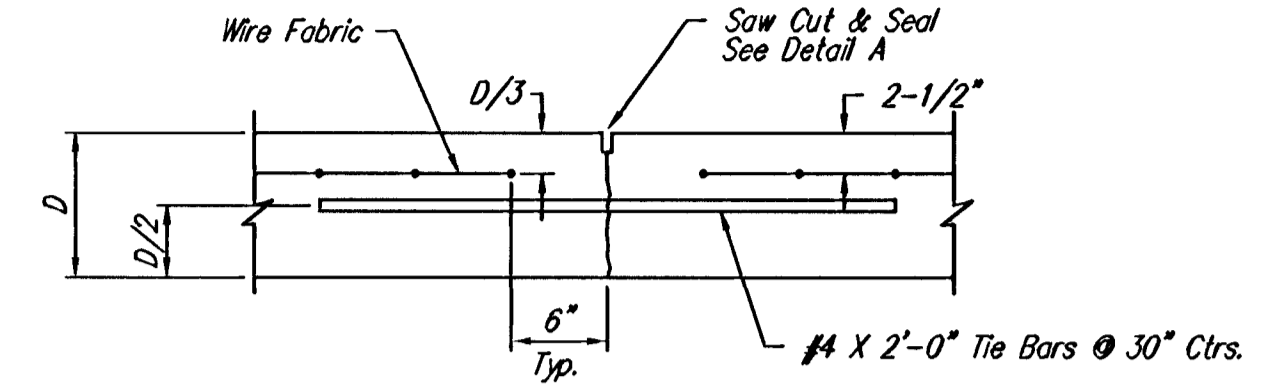
NOTE: Extra Thickness to be Subsidiary to Price of Square Yards Pavement



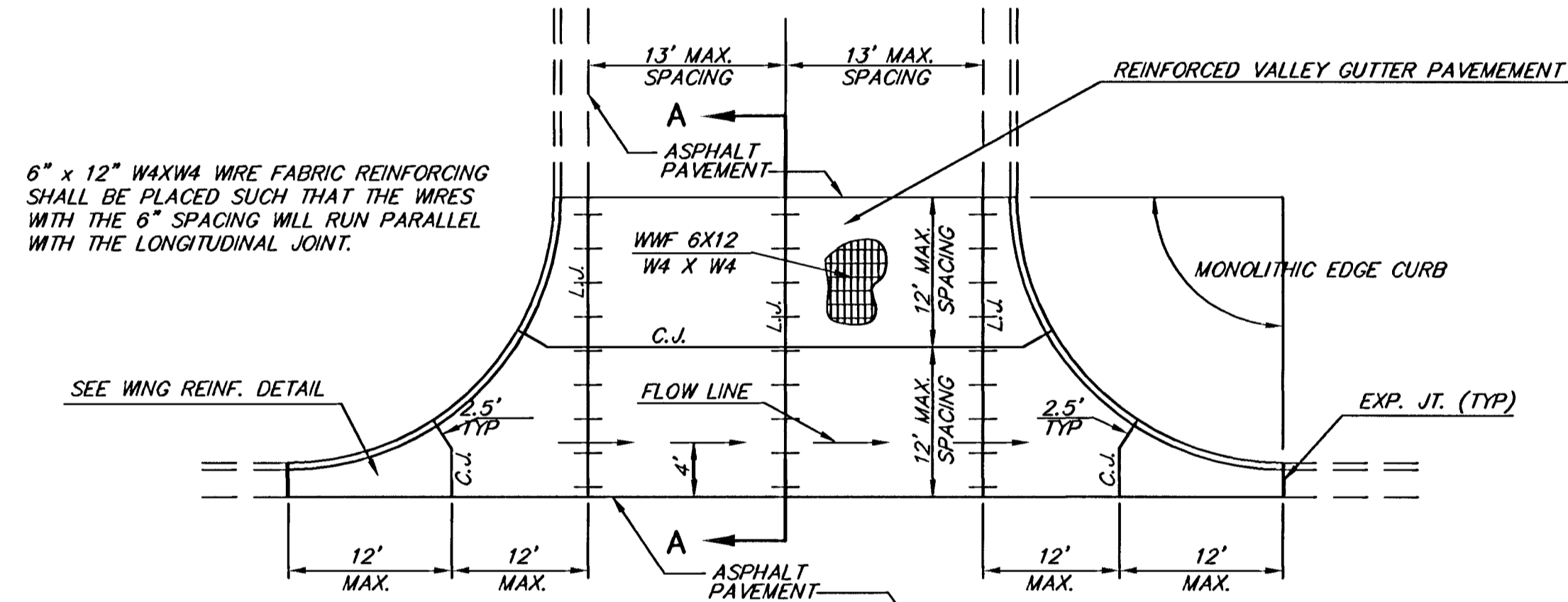
KEYWAY DETAIL



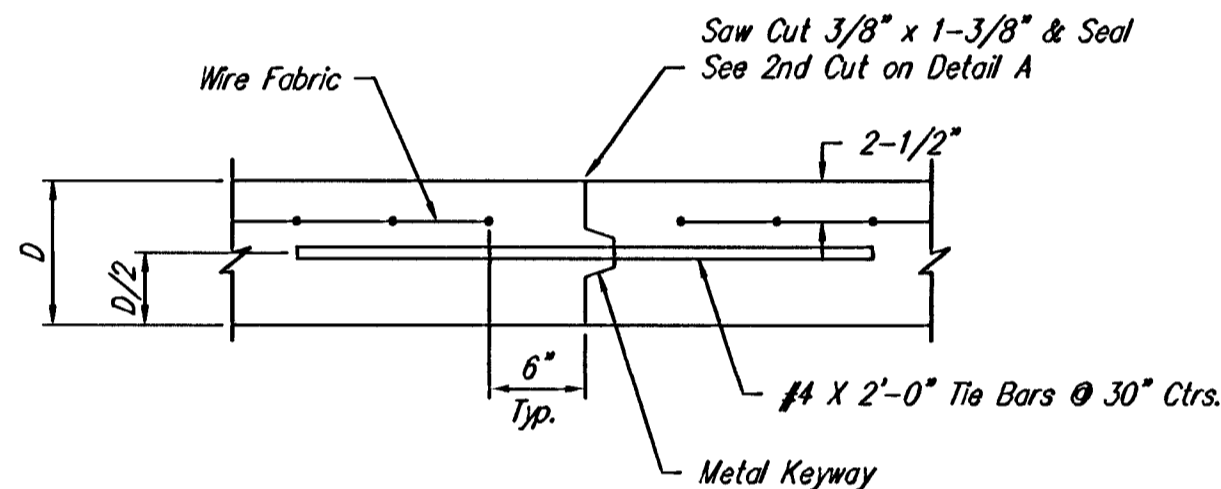
CONTRACTION JOINT DETAIL (C.J.)



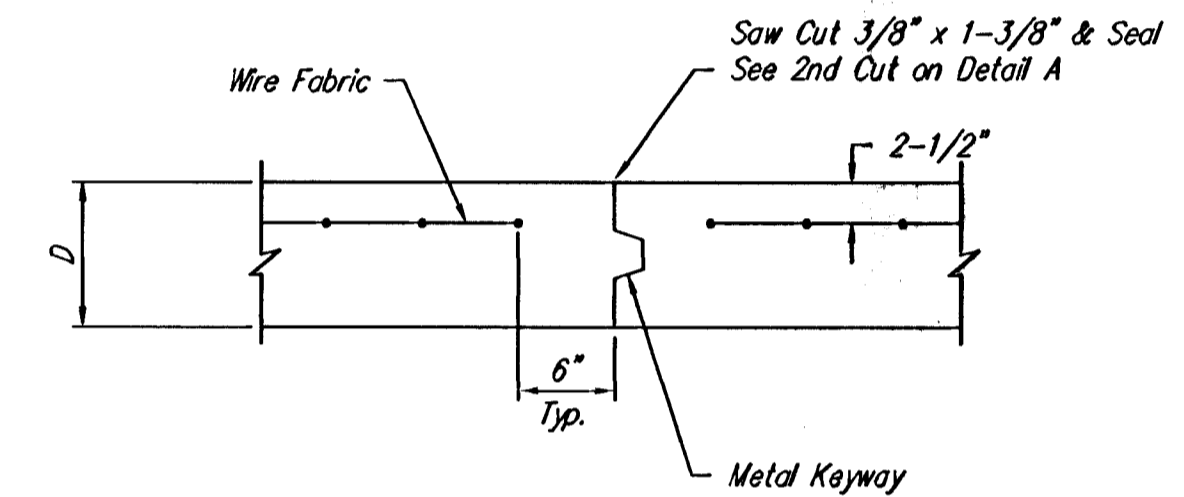
LONGITUDINAL JOINT DETAIL (L.J.)



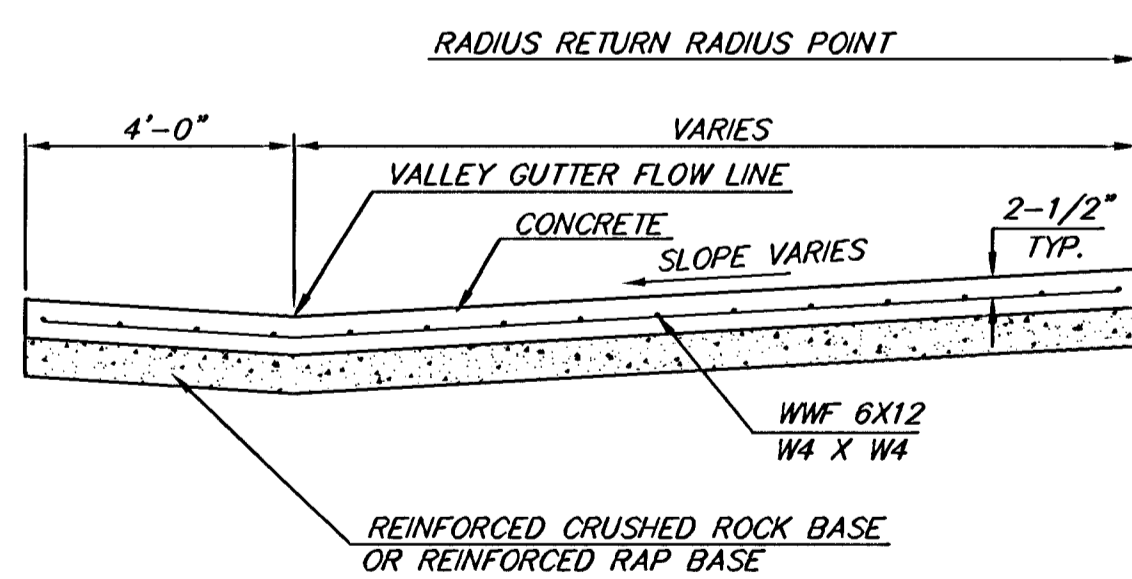
PLAN



OPTIONAL LONGITUDINAL JOINT DETAIL (L.J.)

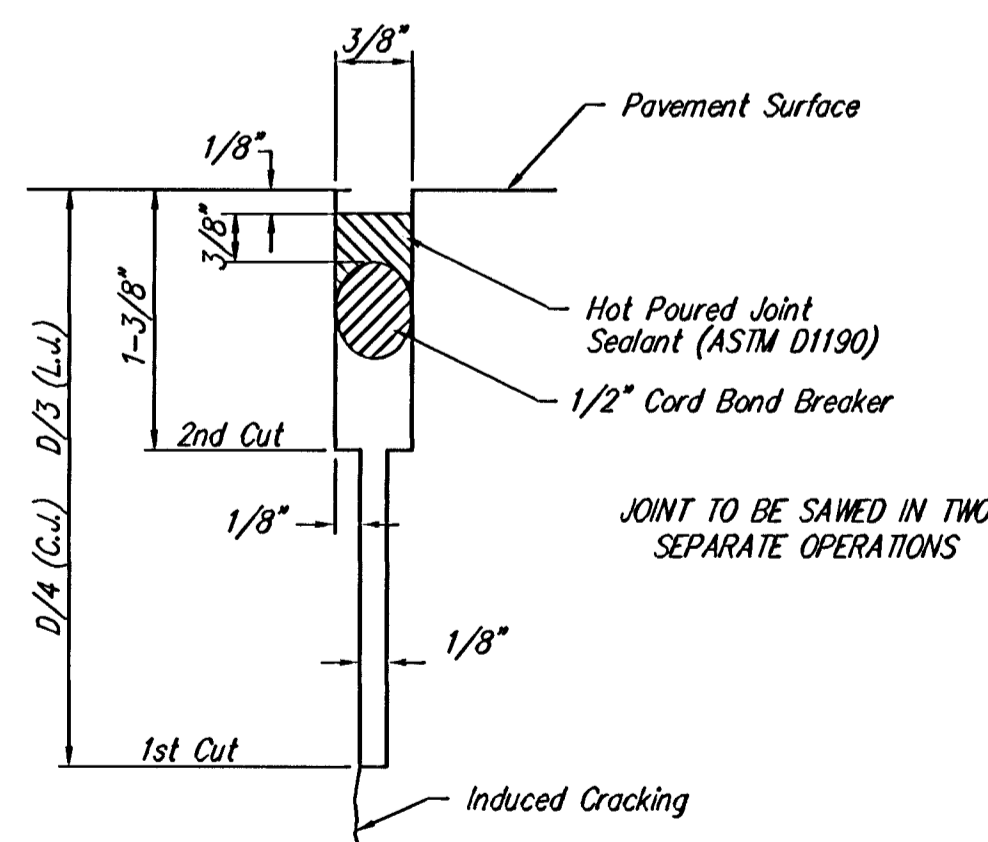


OPTIONAL CONTRACTION JOINT

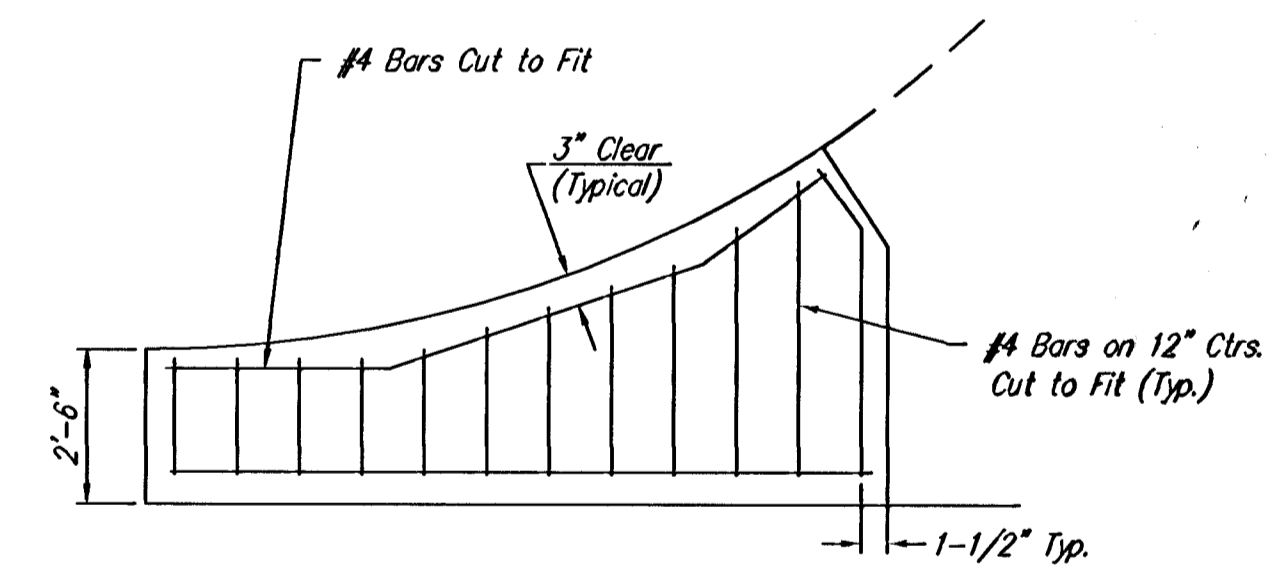


SECTION A-A

REINFORCED VALLEY GUTTER DETAIL



SAW JOINT DETAIL



WING REINFORCING DETAIL

JSNR: DEP. OPER: DEP. SCALE: 1=1.00  
 2: STANDARD \Standard Wichita \SEBMP\_PEC\_DTL53 06-05-2001 02:03:06 pm

U:\DWG\04429\Wing\Par\PHASE 1\04429B03.DWG

<p>THE CITY OF WICHITA</p> <p>CITY ENGINEER'S OFFICE          CITY HALL - SEVENTH FLOOR          455 NORTH MAIN STREET          WICHITA, KANSAS 67202          (316) 268-4114 FAX</p>	<b>VALLEY GUTTER DETAILS</b>	
	JAMES L. ARMOUR, P.E. - CITY ENGINEER	
	PROJECT NUMBER 472-84328	OCA NO. 765974
	DATE MAR 2003	<b>Sheet 4 of 29</b>