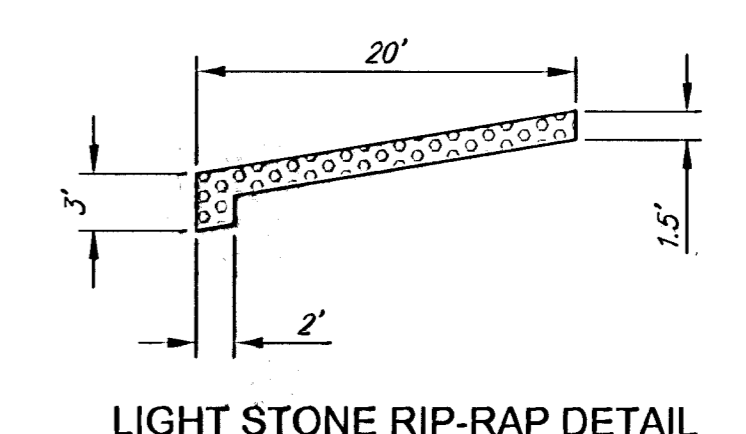
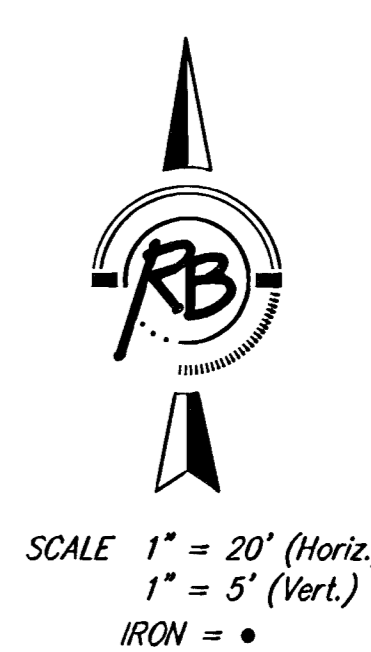
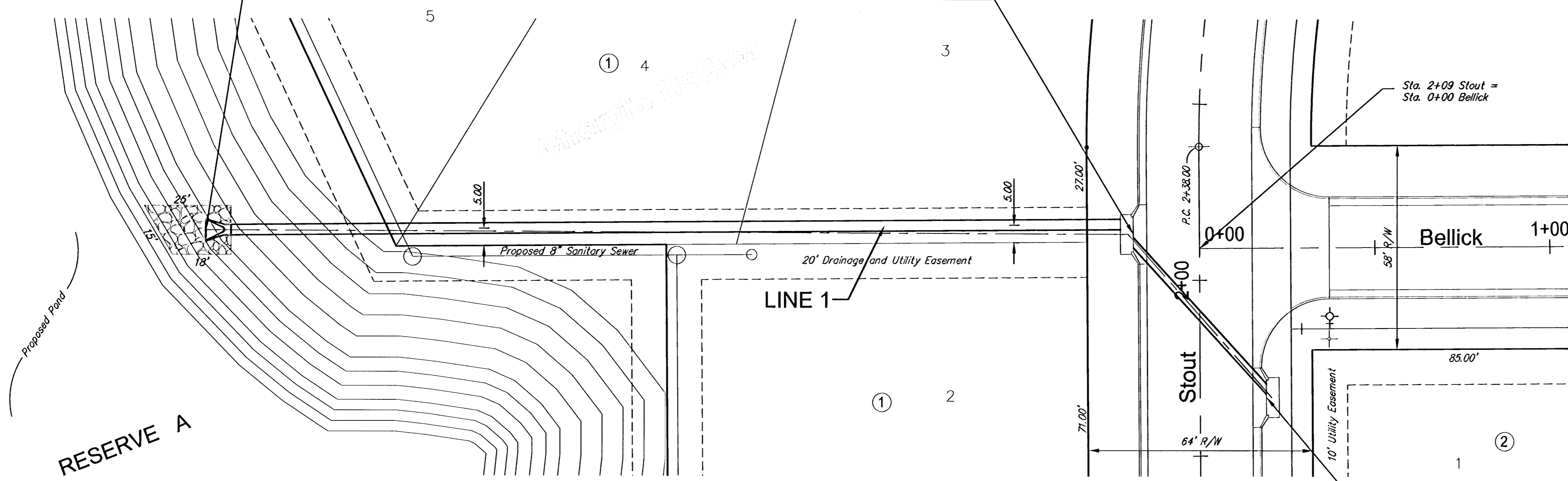


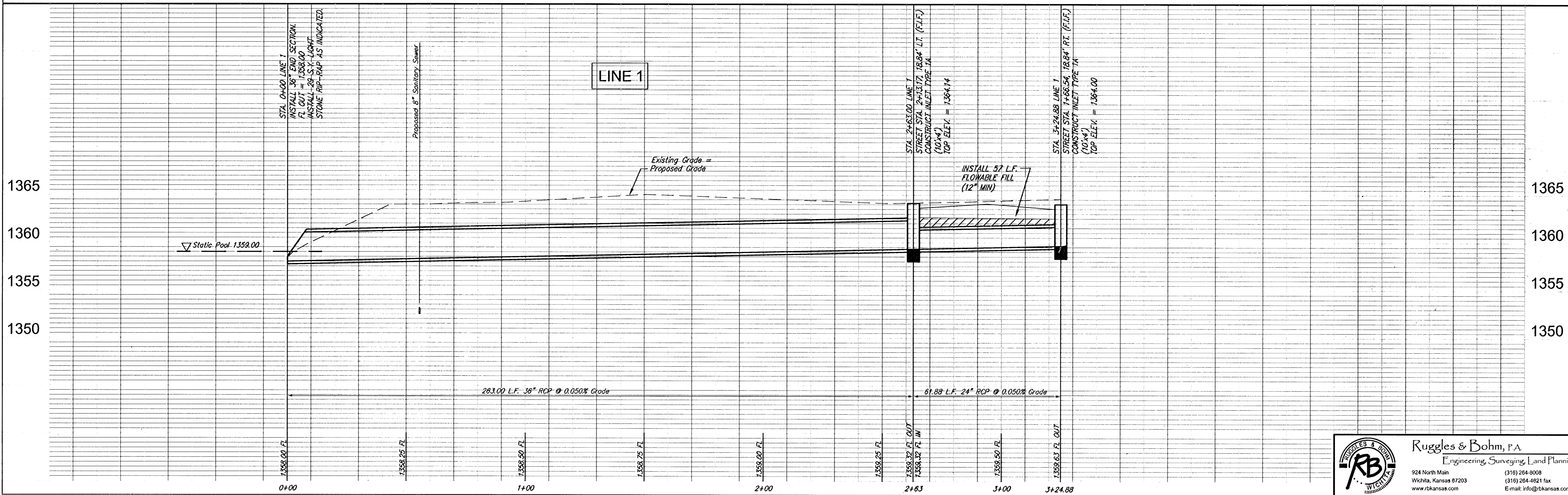
STA. 0+00 LINE 1
 INSTALL 36" END SECTION.
 FL OUT = 1358.00
 INSTALL 29 S.Y. LIGHT
 STONE RIP-RAP AS INDICATED.

STA. 2+63.00 LINE 1
 STREET STA. 2+13.17, 18.84' LT. (F.I.F.)
 CONSTRUCT INLET TYPE 1A
 (10'x4')
 TOP ELEV. = 1364.14

STA. 3+24.88 LINE 1
 STREET STA. 1+66.54, 18.84' RT. (F.I.F.)
 CONSTRUCT INLET TYPE 1A
 (10'x4')
 TOP ELEV. = 1364.00



LIGHT STONE RIP-RAP DETAIL



DESIGN KWL	DRAWN RA	REVISION DATE
PROJECT NUMBER DRAWING FILE	UTILITY	Aug. 2, 2005
Cheryl's Hollow Addition Storm Water Sewer Line 1 WICHITA, KANSAS		
RB JOB 2668E	SHEET 15	OF 43

Ruggles & Bohm, P.A.
 Engineering, Surveying, Land Planning
 924 North Main
 Wichita, Kansas 67203
 www.rbkansas.com
 (316) 264-8008
 (316) 264-6211 fax
 E-mail: info@rbkansas.com