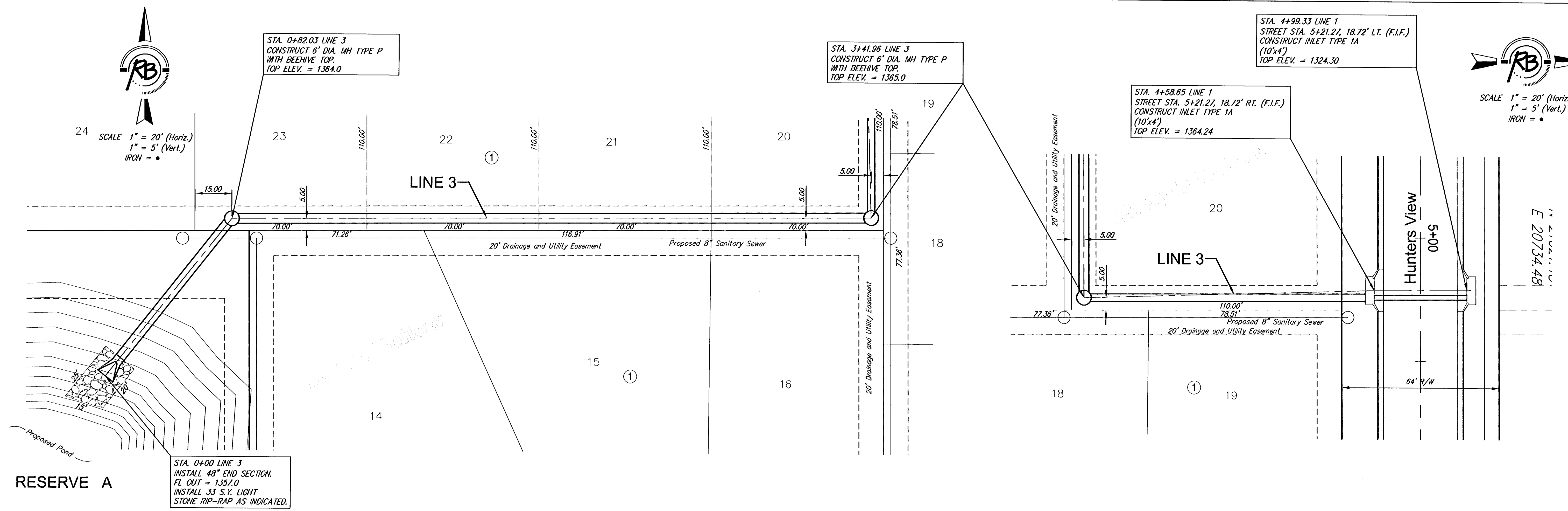




SCALE 1" = 20' (Horiz.)
1" = 5' (Vert.)
IRON = •

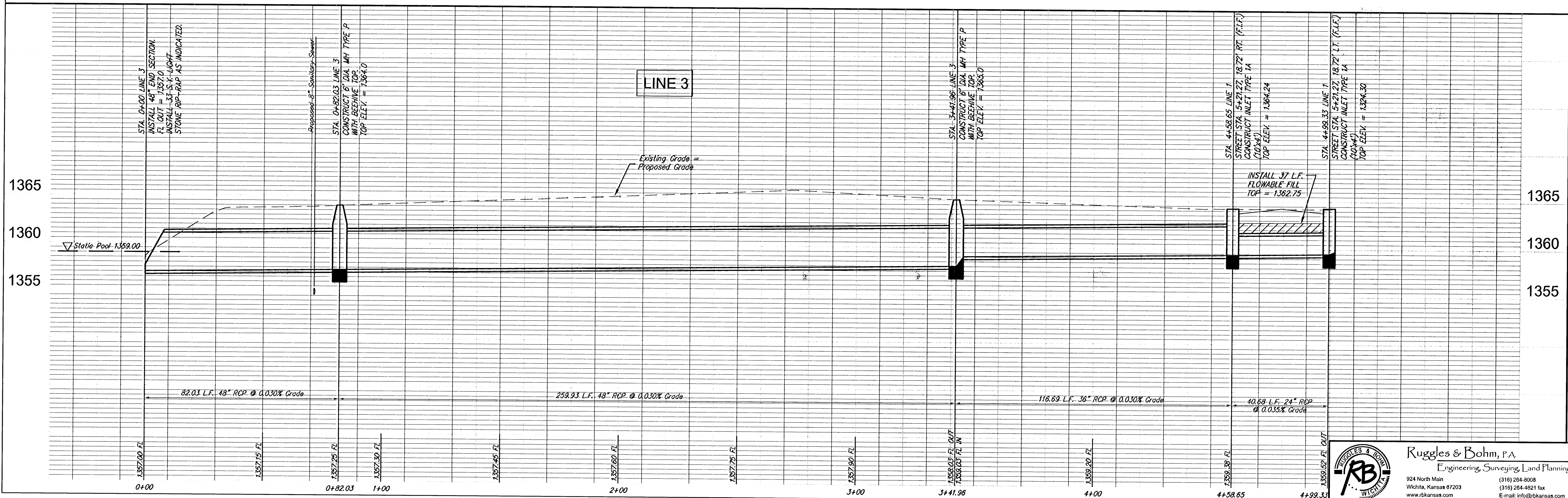


SCALE 1" = 20' (Horiz.)
1" = 5' (Vert.)
IRON = •

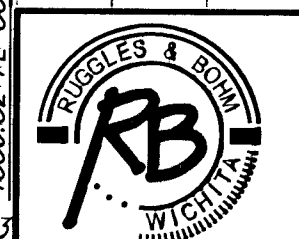


RESERVE A

E 20734.48



DESIGN KWL UTILITY	DATE Aug. 2, 2005	REVIEW
PROJECT NUMBER DRAWING FILE	Storm Sewer Line 3	
Cheryl's Hollow Addition Storm Water Sewer Line 3 WICHITA, KANSAS		
NO. JOB 2666E	SHEET 18	OF 43



Ruggles & Bohm, P.A.
Engineering, Surveying, Land Planning
924 North Main
Wichita, Kansas 67203
www.rbkansas.com
(316) 264-8008
(316) 264-4821 fax
E-mail: info@rbkansas.com