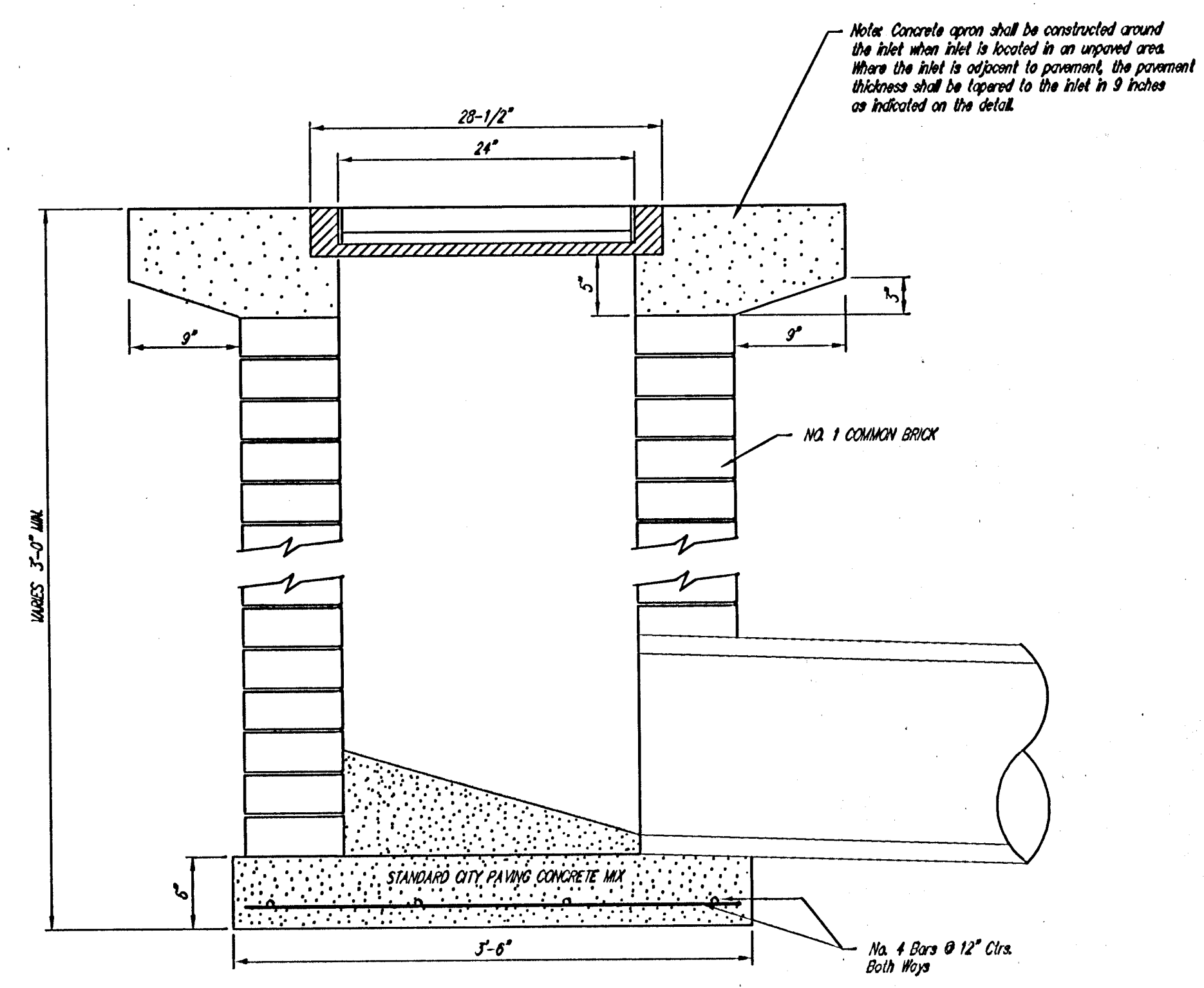
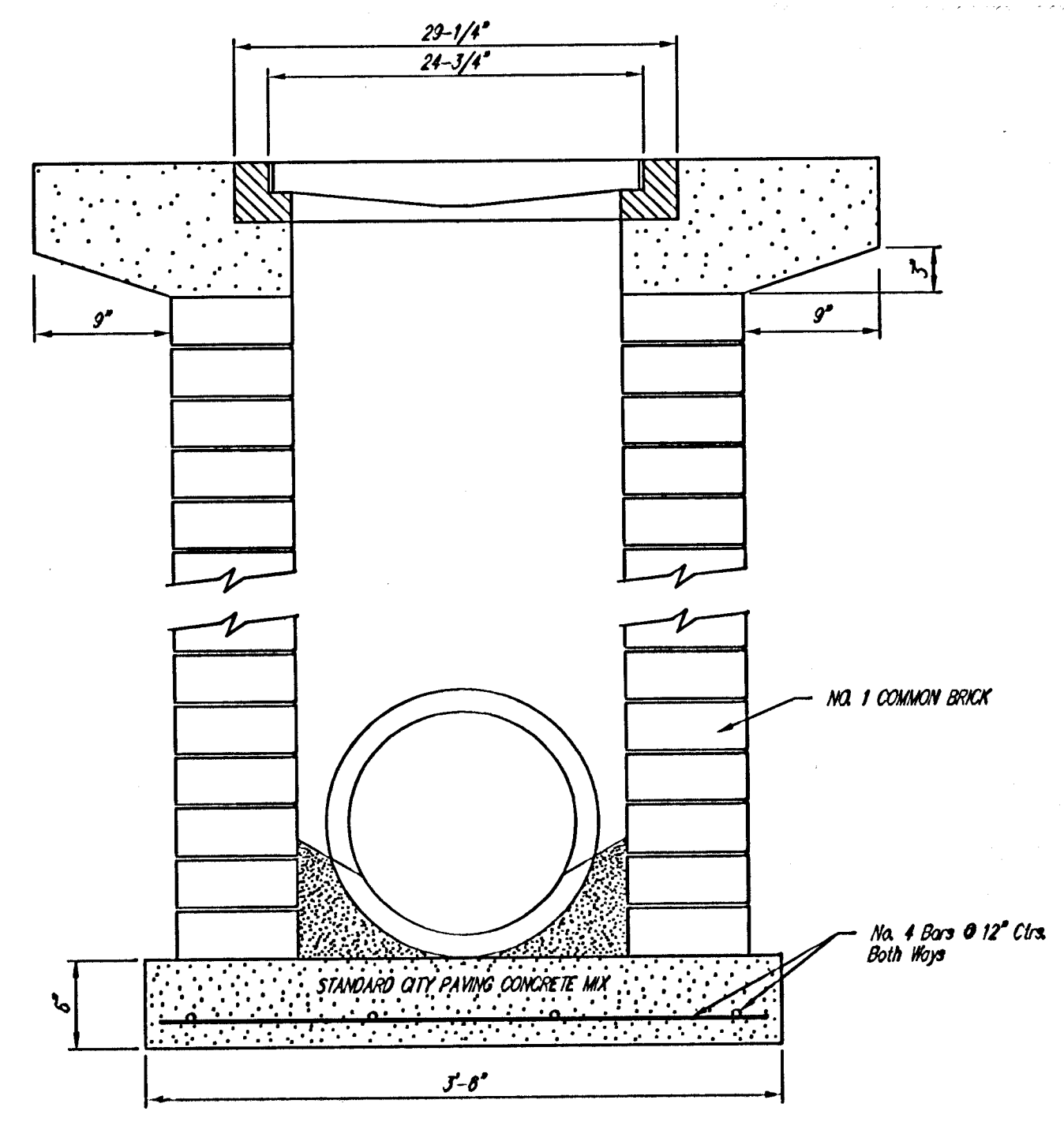


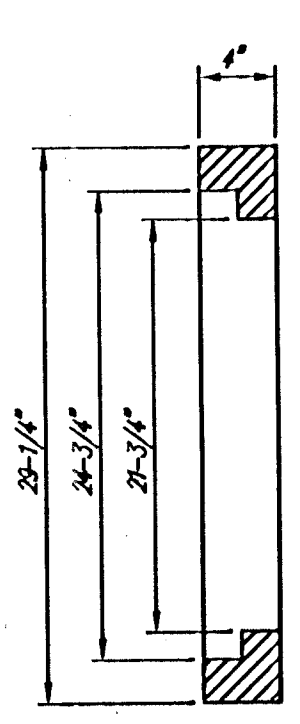
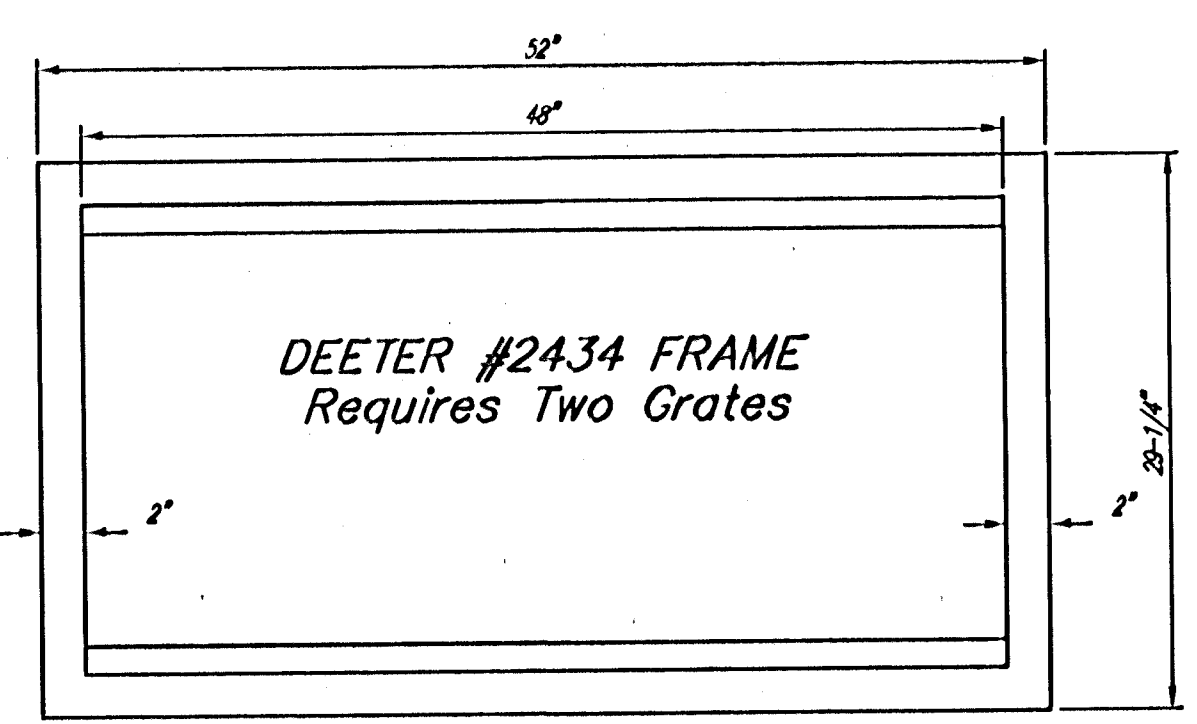
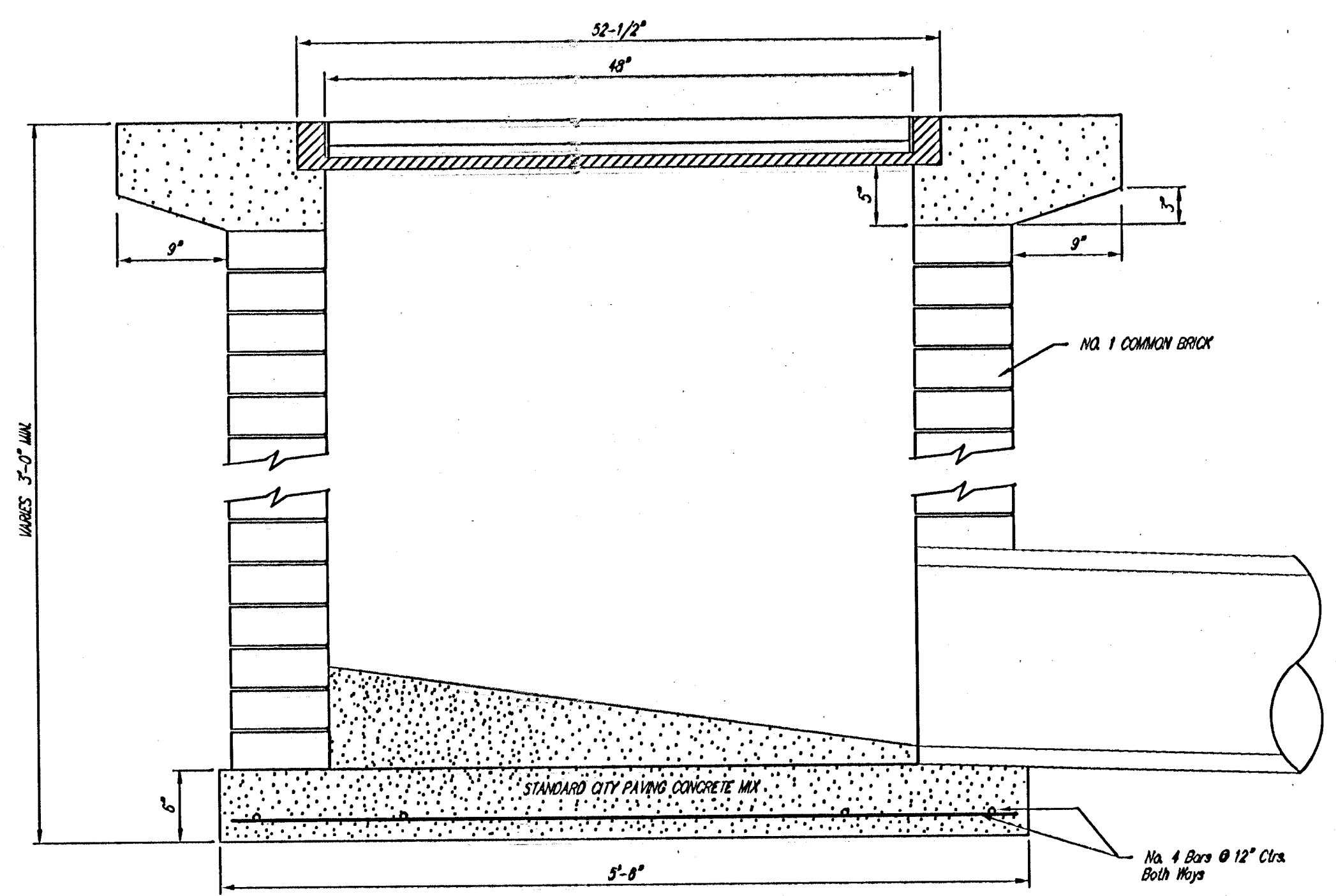
NOTE: Grates shall be imprinted on the top surface with "CITY OF WICHITA" using letters at least 1" in height. Other marking methods may be approved by the engineer.

DEETER #2433 GRATE

24" x 24" Frame and Grate Detail



Note: Concrete apron shall be constructed around the inlet when inlet is located in an unopened area. Where the inlet is adjacent to pavement, the pavement thickness shall be tapered to the inlet in 9 inches as indicated on the detail.



Double 24" x 24" Frame Detail

	City of Wichita Standard	
	Drop Inlet Detail	
<small>Baughman Company, P.A. 313 Ellis & Welch, KS 67211 P 316.267.7771 F 316.267.0149 ENGINEERING SURVEYING PLANNING LANDSCAPE ARCHITECTURE</small>		
PROJECT NUMBER 472-84038	DESIGN C.O.W.	DRAWN Staff
REVISIONS	APPROVED	DATE
SCALE None		SHEET 28 OF 48
<small>F:\Eng\Details\Screen\DR0PINT2.dwg</small>		