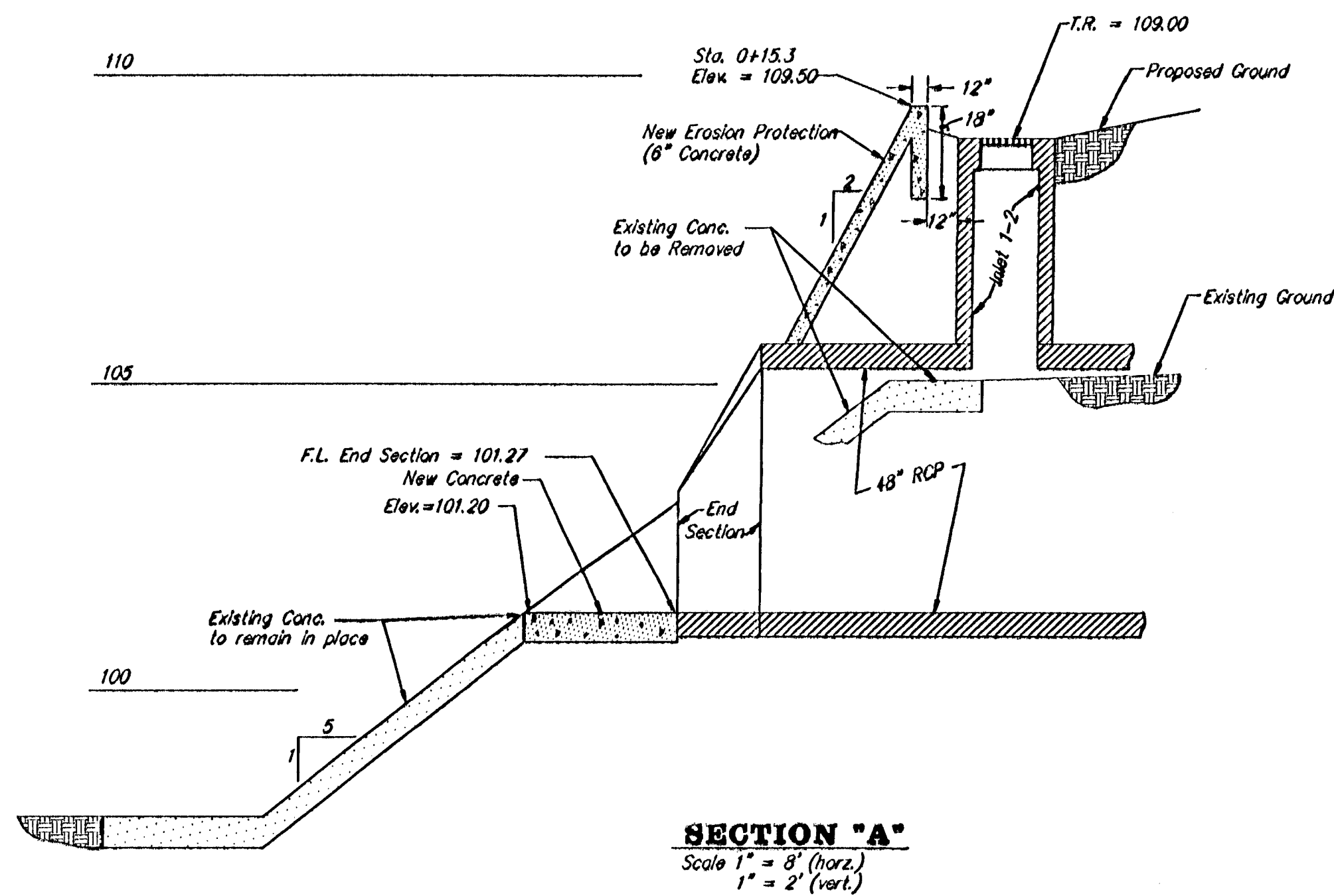


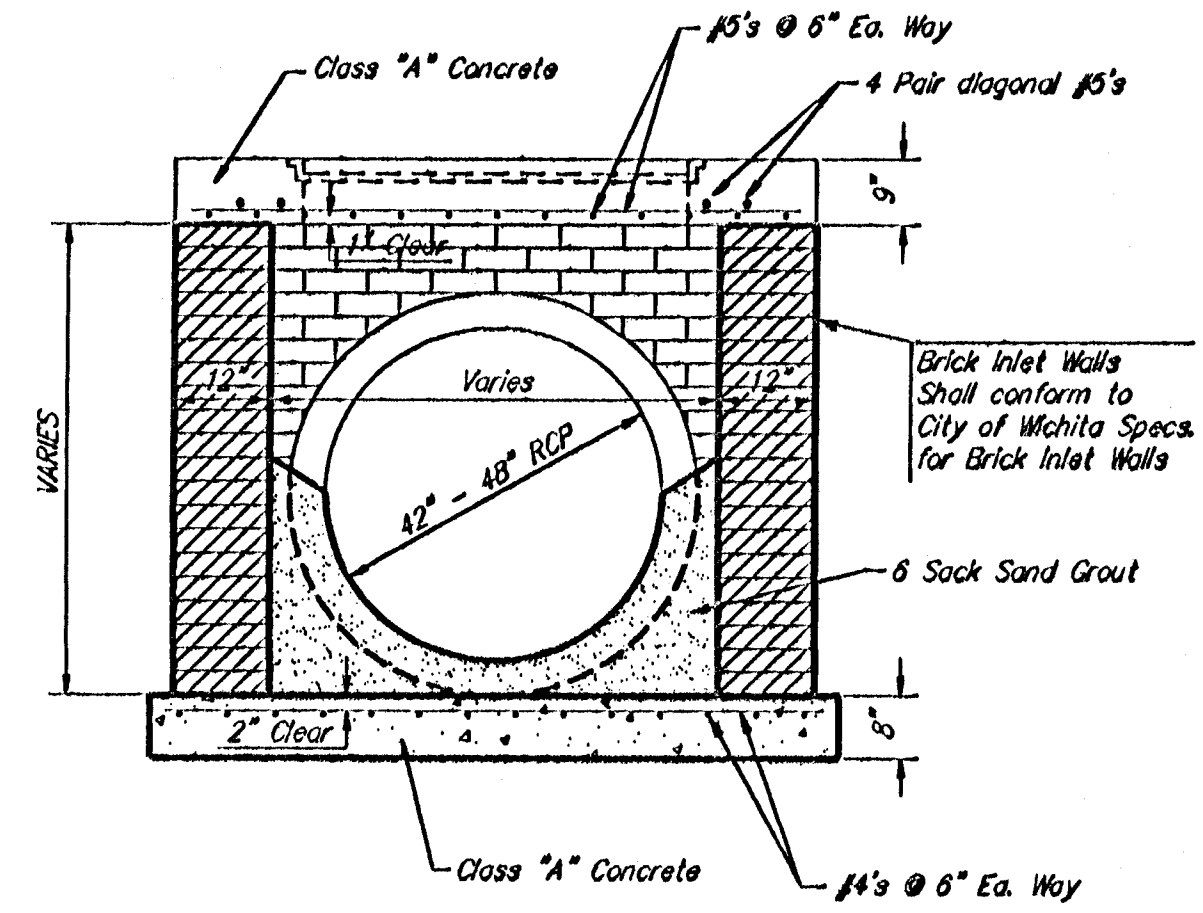
PLAN VIEW
Scale 1" = 8'



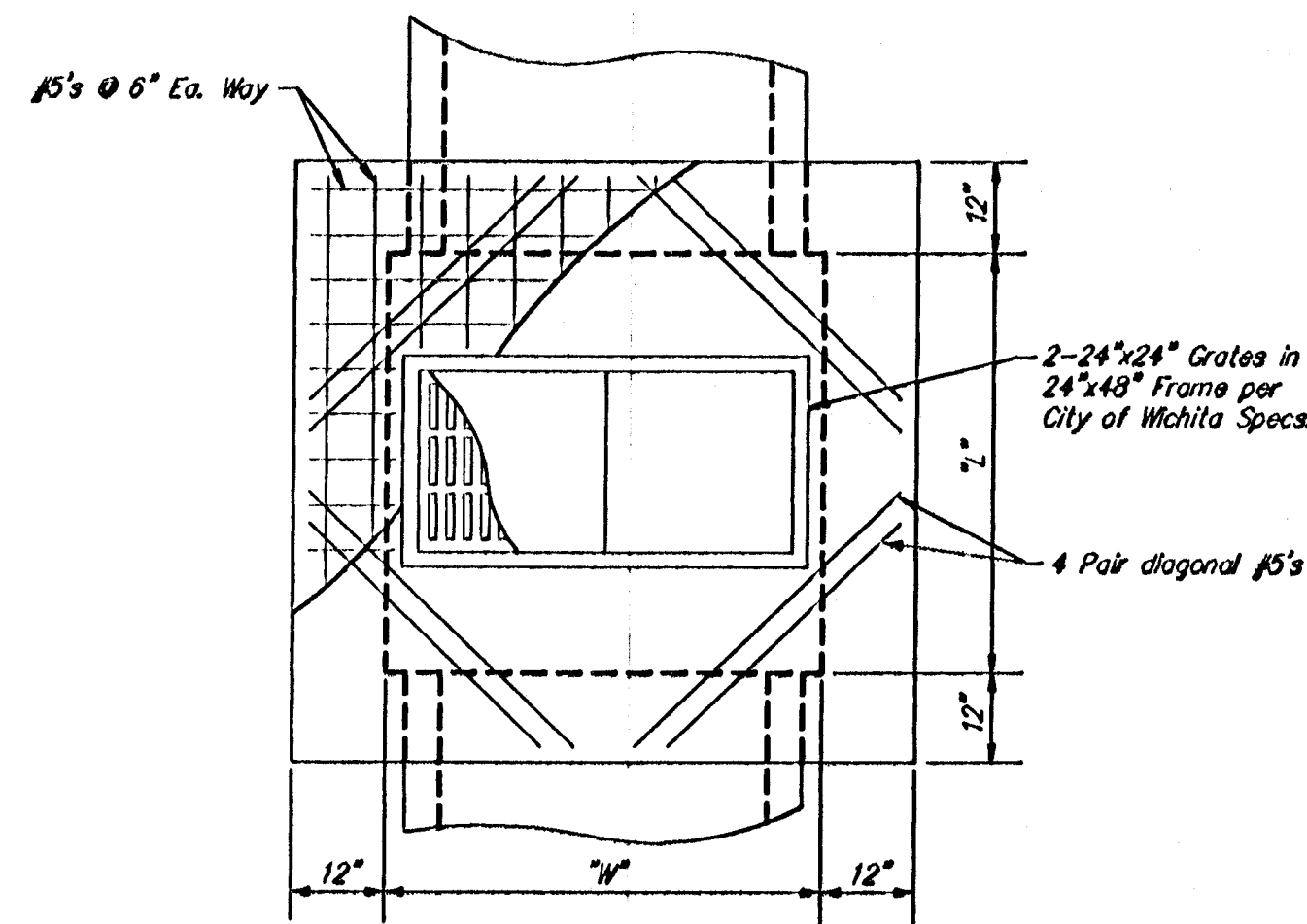
END SECTION #1-1 DETAIL

INLET SCHEDULE

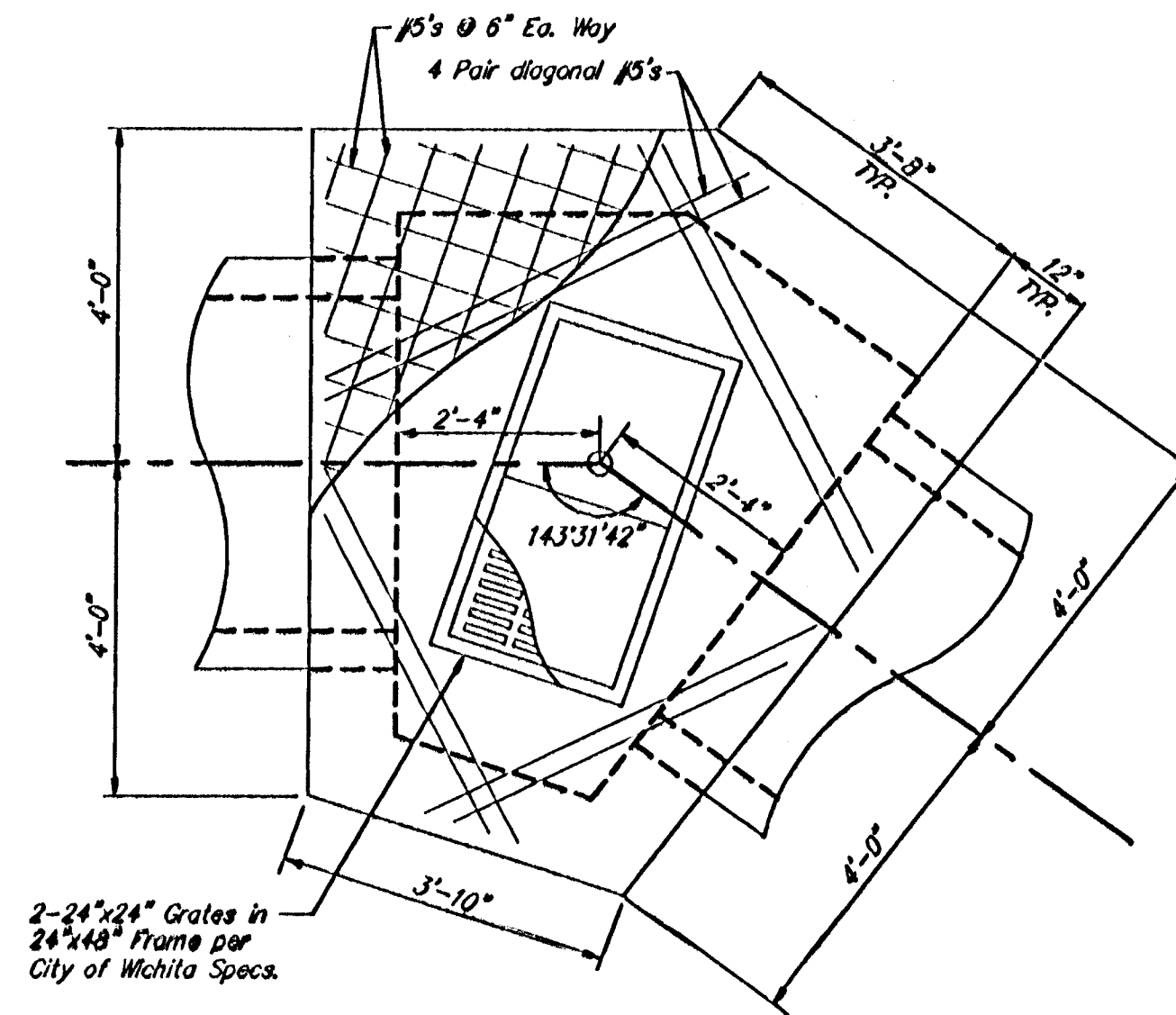
INLET NUMBER	LENGTH	WIDTH
1-3	3.0'	6.0'
1-4	3.0'	6.0'
1-5	5.0'	6.0'



TYPICAL SECTION
SCALE: 1/2"=1'-0"



PLAN VIEW
TYPE "A" INLET
SCALE: 1/2"=1'-0"



PLAN VIEW
TYPE "B" INLET
SCALE: 1/2"=1'-0"

INLET DETAILS

PRIVATE STORM WATER SEWER
EXTENSION TO SERVE
GOEBEL 4th ADDITION
DETAIL SHEET

NO. _____
DATE _____
BY _____
REVISION _____

BAUGHMAN COMPANY
SURVEYING & ENGINEERING
316/262-7271 • 315 ELLIS • WICHITA, KANSAS 67211
Date: December 16, 1992

City Engineer
City of Wichita Project No.

Drawn by 1
3 of 3