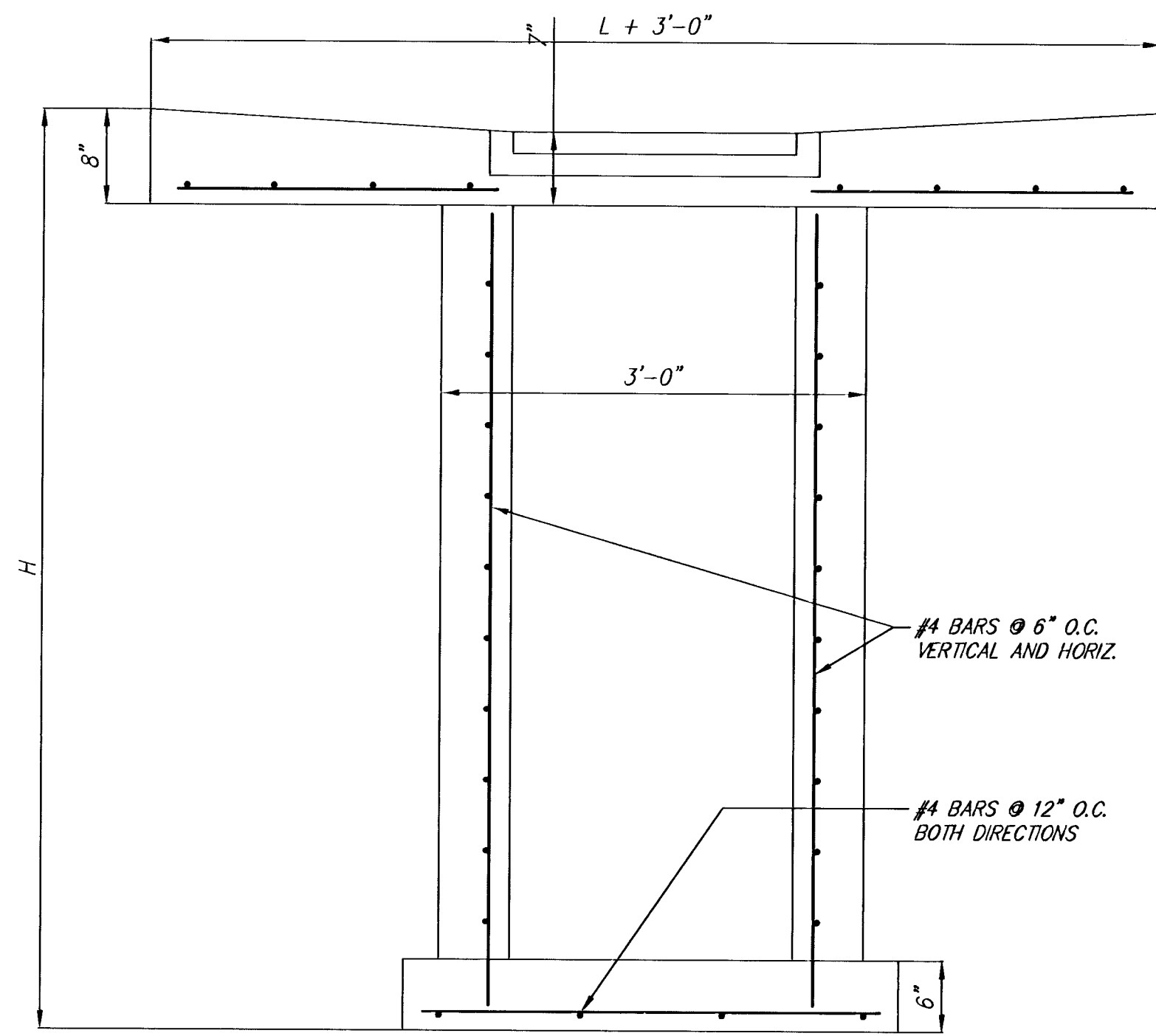
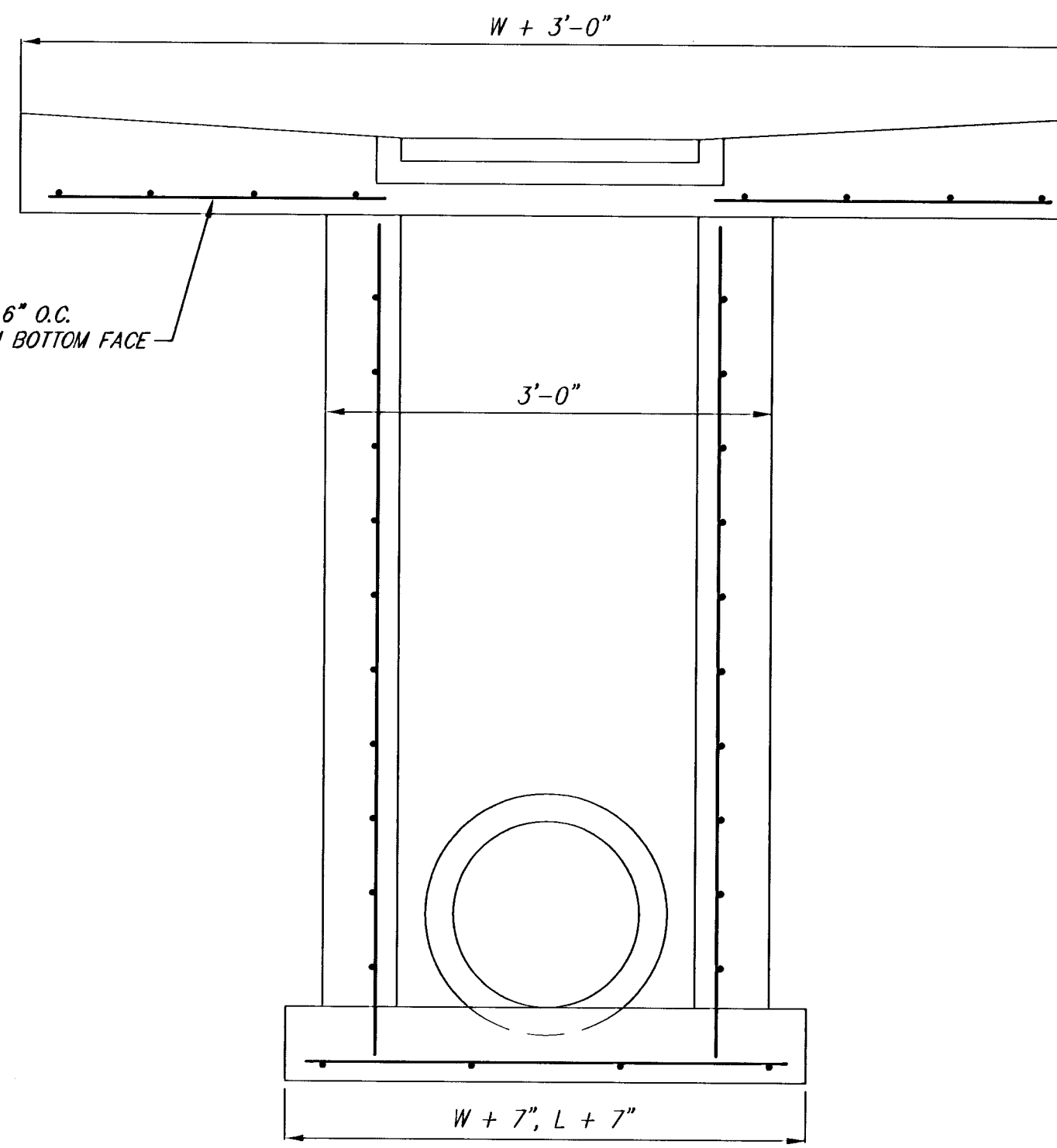


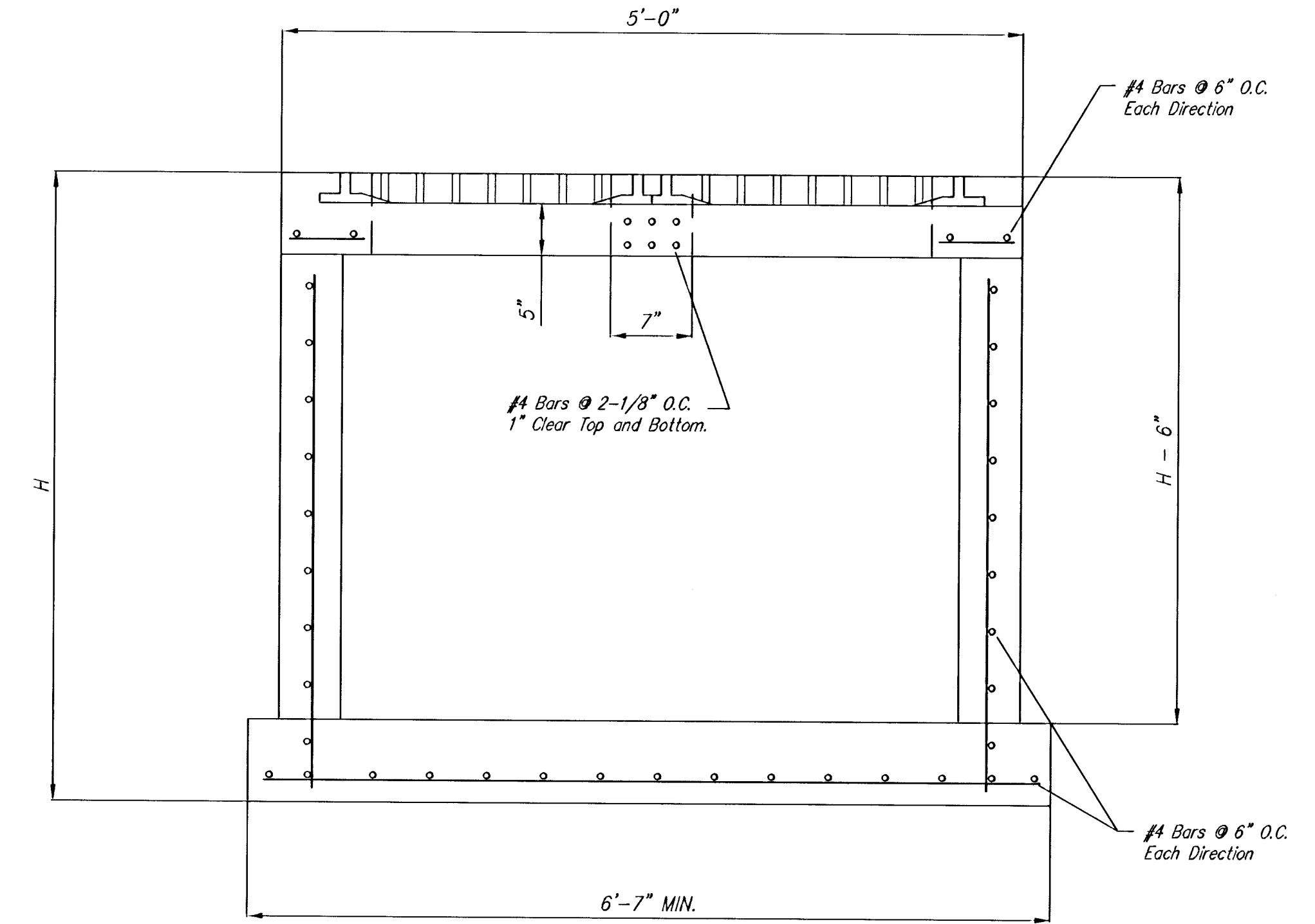
99151  
20



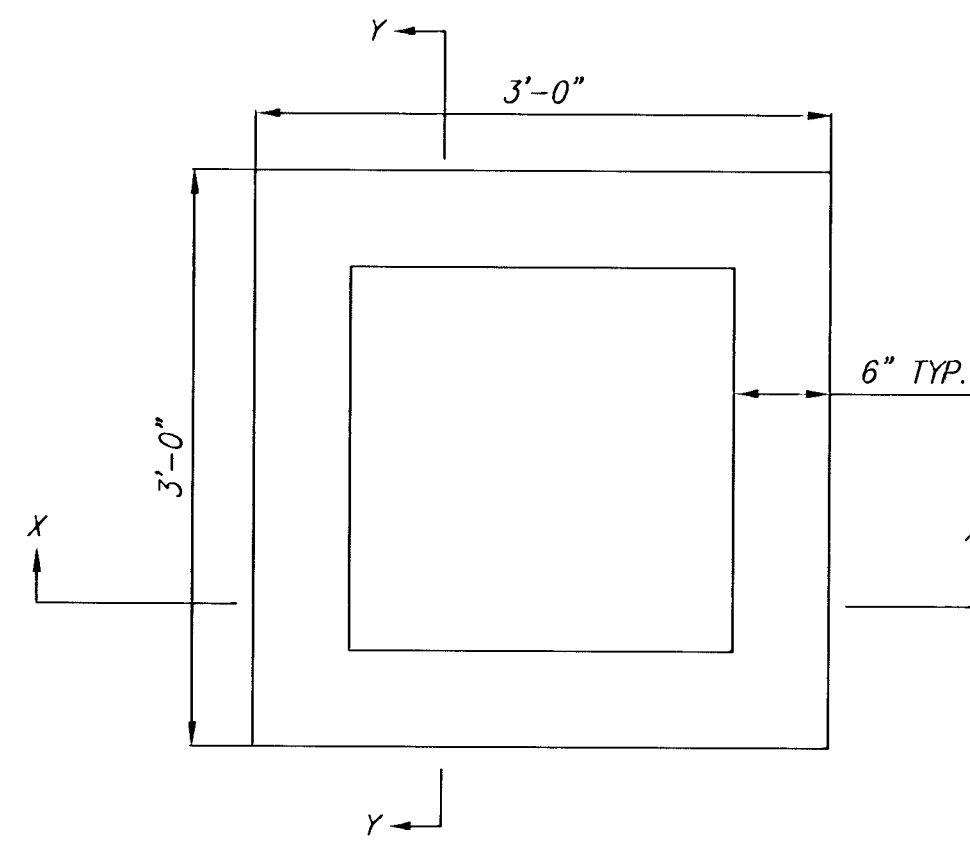
SECTION X-X



SECTION Y-Y



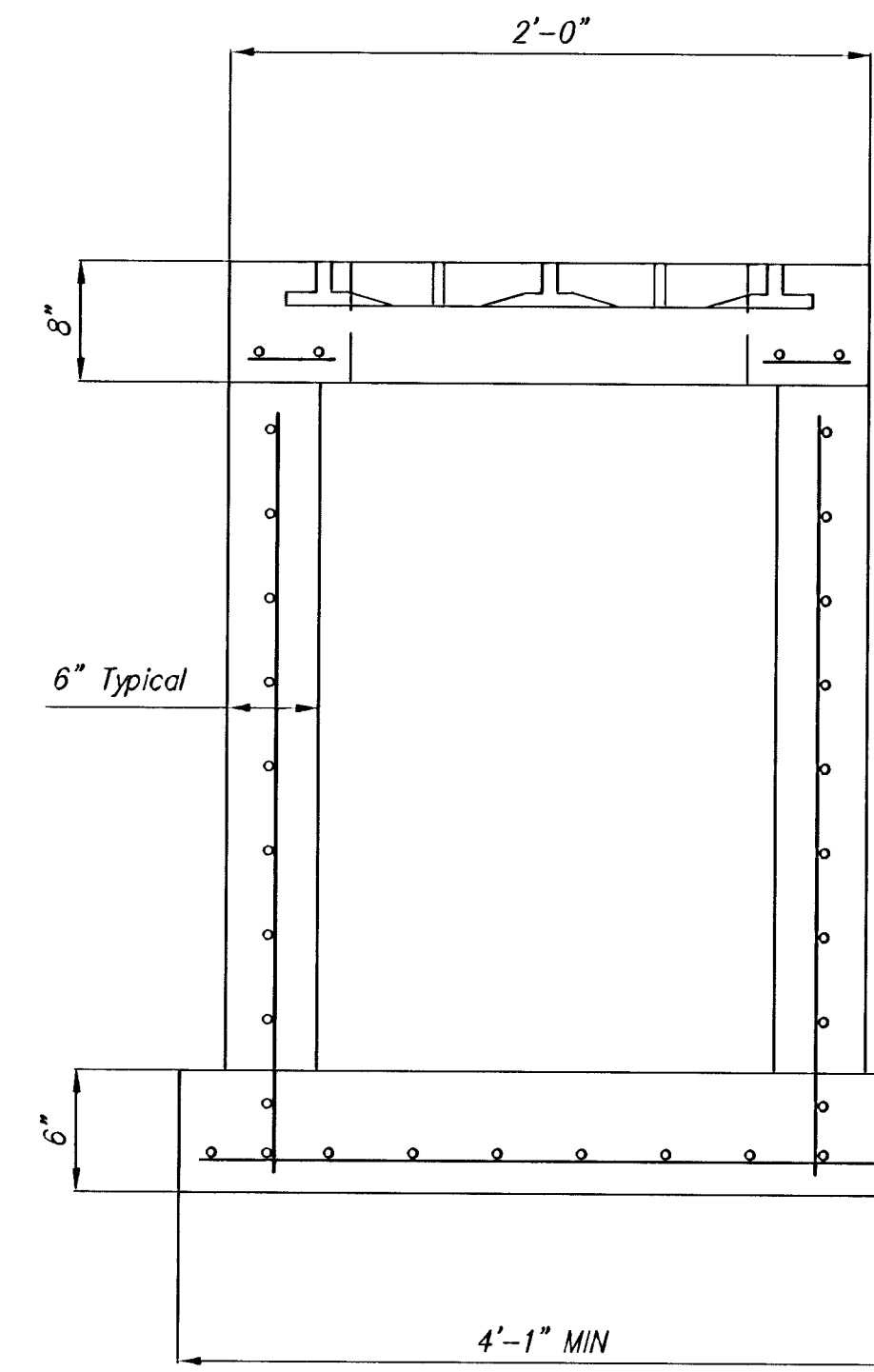
SECTION X-X



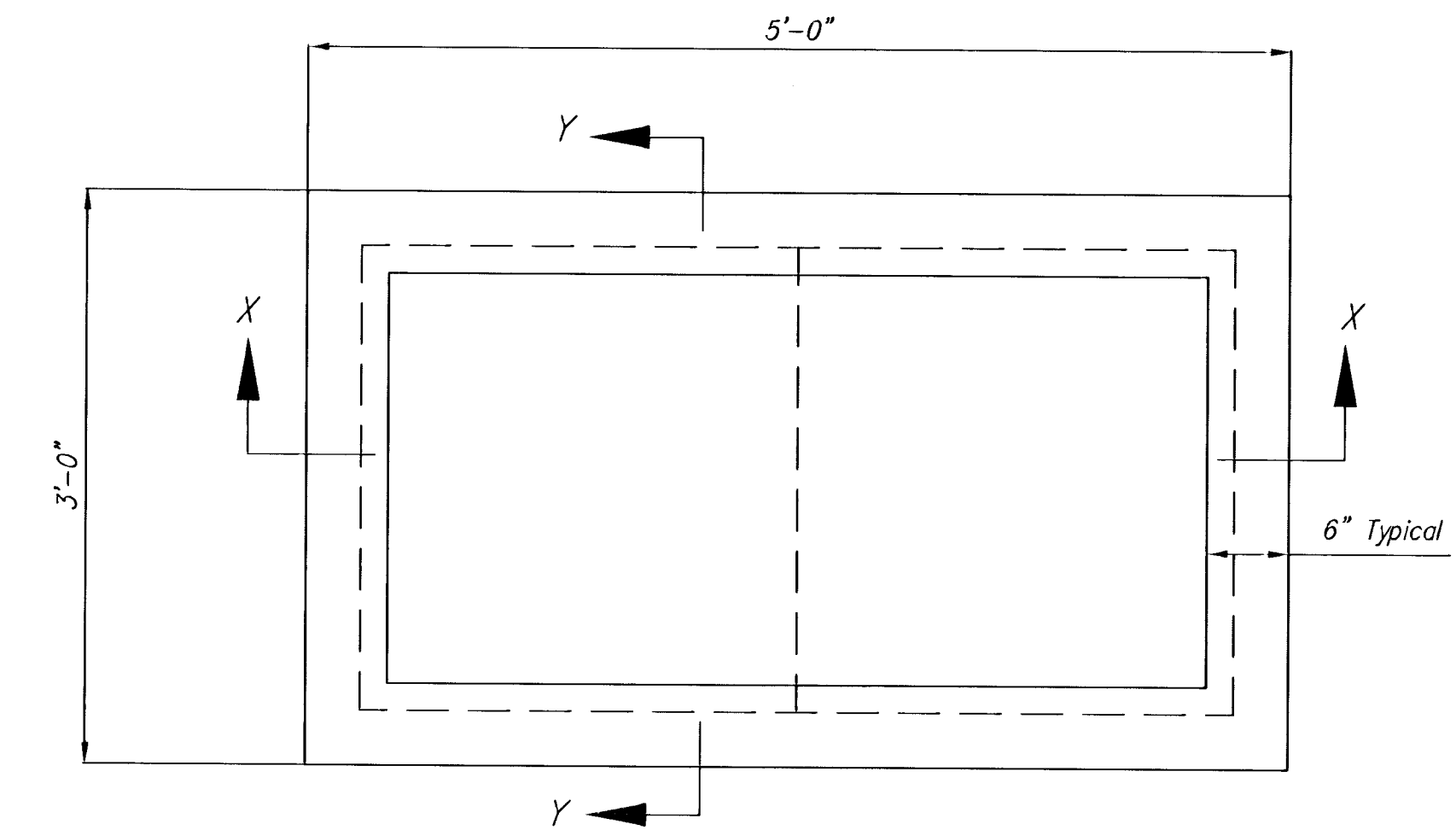
PLAN

**NOTES:**

FRAME AND GRATE TO BE GCI CASTINGS, INC. GR 2361,  
DEETER FOUNDRY 2433, OR EQUIVALENT.



SECTION Y-Y



PLAN

**NOTE:**

- FRAME AND GRATE TO BE  
2 EA. GCI CASTINGS, INC. GR 3027,  
2 EA. DEETER FOUNDRY 2512,  
OR EQUIVALENT
- CONCRETE USED IN INLET CONSTRUCTION  
TO BE CLASS A OR CLASS A (AE).
- FLOOR OF INLET TO BE SHAPED TO DRAIN,  
USING UNREINFORCED CLASS A CONCRETE.
- INLET MAY BE PRE-CAST WITH ENGINEER'S  
APPROVAL.

<b>R.D. WOOD STORAGE INLET DETAILS WICHITA, KANSAS</b>			
	<b>Ruggles &amp; Bohm, P.A.</b> Engineering, Surveying, Land Planning		DESIGN TCR
	924 North Main Wichita, Kansas 67203 www.rbkansas.com		(316) 264-8008 (316) 264-4621 fax E-mail: info@rbkansas.com
DRAWING FILE ENG. BASE {Inlet Details}		PROJECT NUMBER 1734	SHEET 5 OF 5
DATE Jan. 10, 2007			REV. FOR 2032E

14 OS 1 J 24