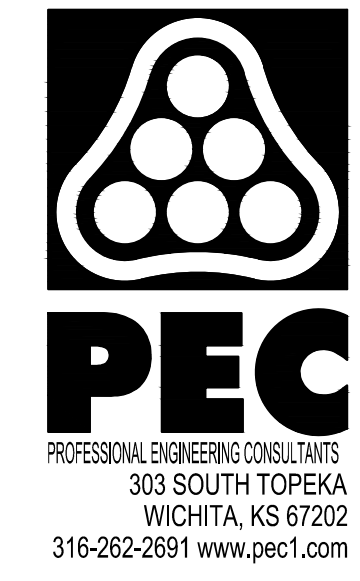
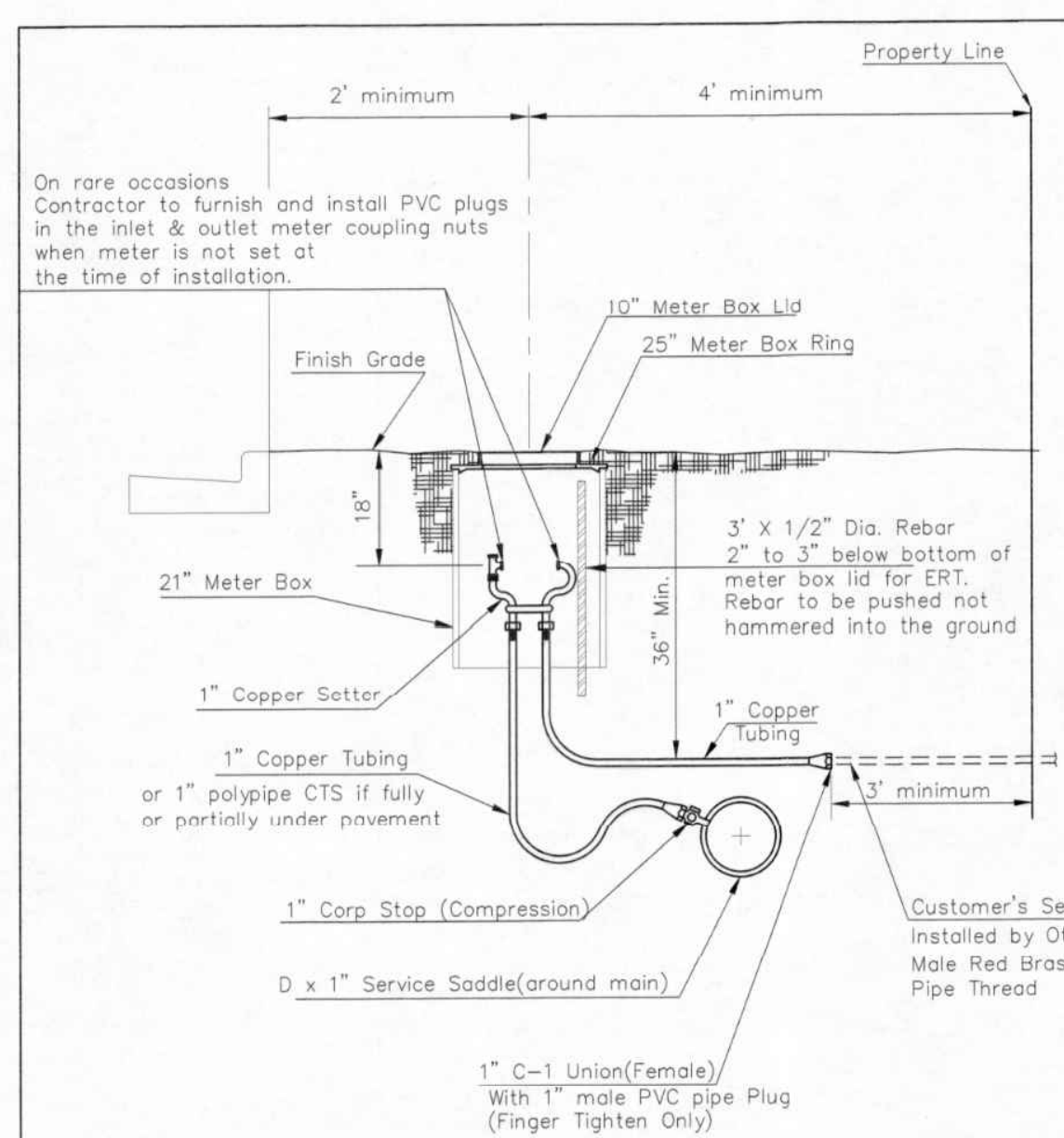


SAVED 7/18/2024 2:12:57 PM BY KURTIS DEKAT  
 PLOTTED 8/28/2024 12:12:01 PM BY KEVIN GRAHAM  
 U:\WICHITA-CIVIL\2022\221170\001\PEC\DRAWINGS\OFFSITE WATER\221170-006-CU503.DWG



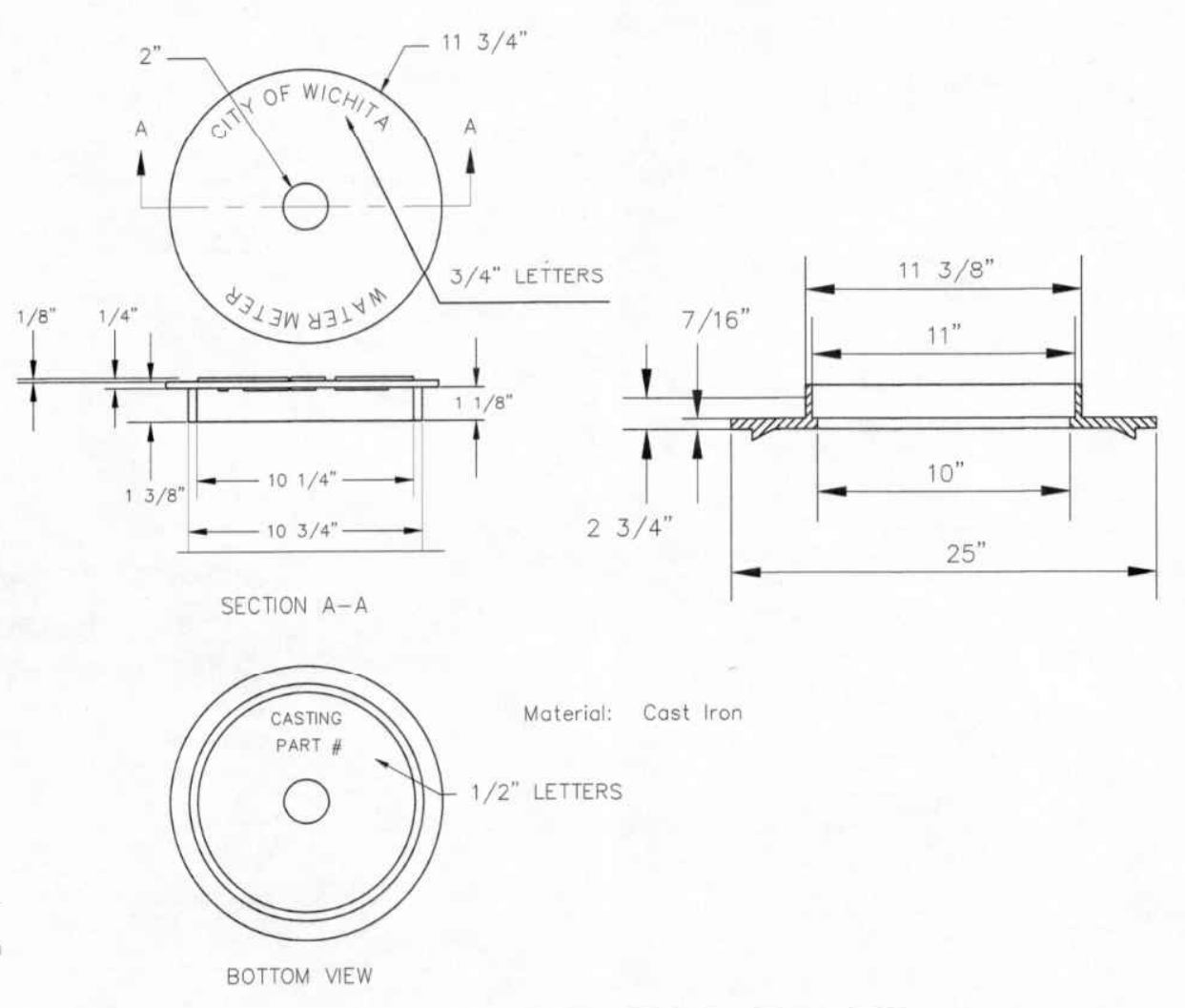
WATER DISTRIBUTION IMPROVEMENTS  
 12" WATER MAIN ALONG N WEST ST.  
 NORTH OF E 29TH ST N  
 PAUL GUNZELMAN CITY ENGINEER  
 CITY OF WICHITA PROJECT NO. 448-2024-011704

Issue:	
JOB NO.	221170-006
DATE	AUGUST 2024
PM	KPG
DESIGNED BY	KPG
DRAWN BY	HJW
CHECKED BY	TBK
STANDARD WATER SERVICE DETAIL	
CU503	



TYPICAL 1" METER SETTING

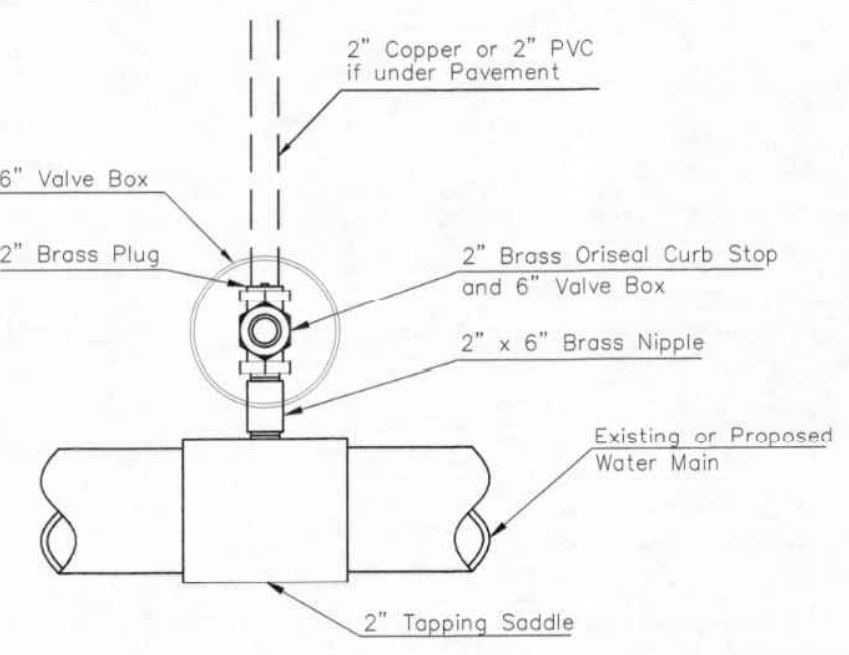
Minimum length of pigtail on consumer side is 36" of copper tubing from meter set.  
 Bore hole under paving shall be a maximum of 2" in diameter and a minimum of 36" below top of pavement.  
 Service Saddles are required on all mains.  
 Meter boxes will be located on each lot to be served, as indicated in the SPECIAL PROVISIONS



NOT TRAFFIC RATED RING & LID FOR 1" METER BOX

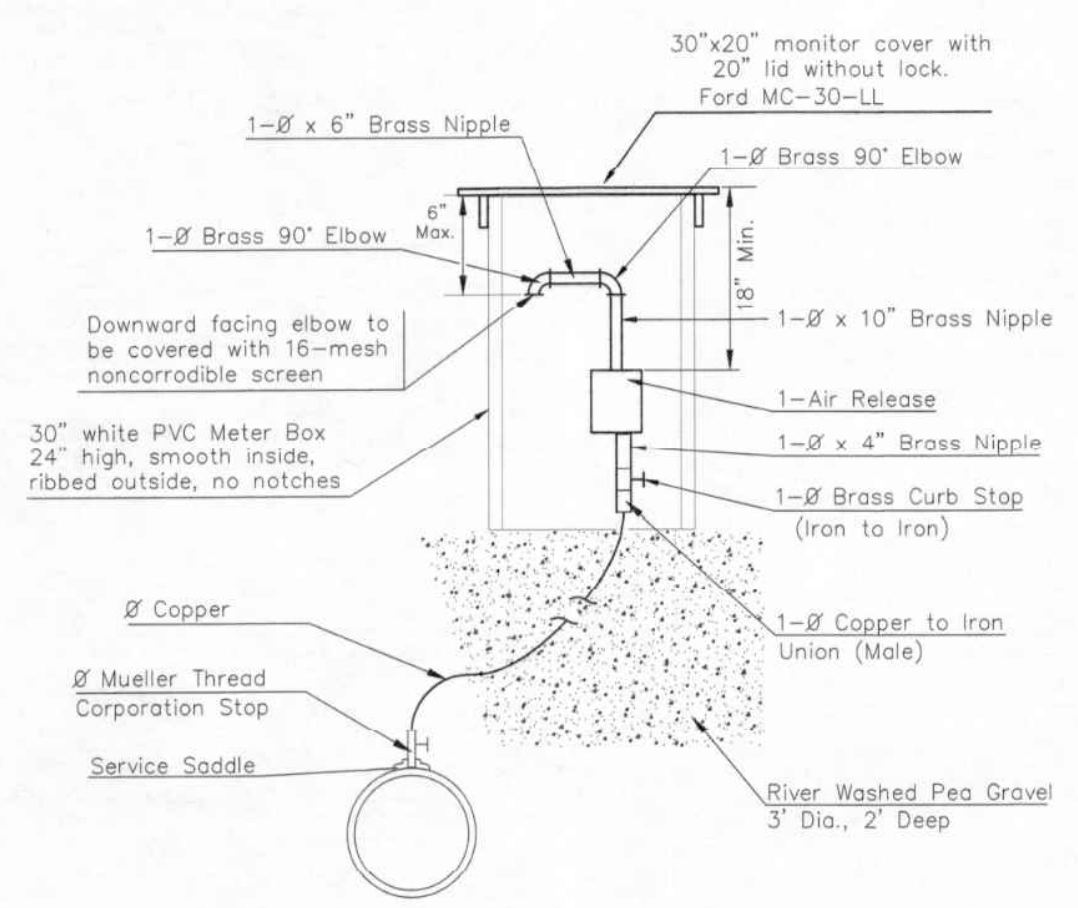
- 1 -  $\emptyset$  Mueller Thread Corporation Stop
- 1 -  $\emptyset$  Type "K" Copper Tubing
- 1 -  $\emptyset$  Copper to Iron Union (Male)
- 1 -  $\emptyset$  Brass Curb Stop (Iron to Iron)
- 2 -  $\emptyset$ x4" Brass Nipple
- Air Release
- 2 -  $\emptyset$  Brass Elbows (90°)
- 1 - 1"  $\emptyset$  Brass Nipple
- 1 - 30" Monitor Cover
- 1 - 20" Meter Lid

NOTE: THE 1"  $\emptyset$  AIR RELEASE ASSEMBLY WILL TYPICALLY BE USED ON WATER MAINS 24" AND SMALLER, AS SPECIFICALLY DESIGNATED IN THE PLANS. COMBINATION AIR RELEASE ASSEMBLIES WILL BE SPECIFICALLY DESIGNED FOR PROJECTS WITH LARGER MAINS, AND WILL BE INCLUDED IN THE PLANS.

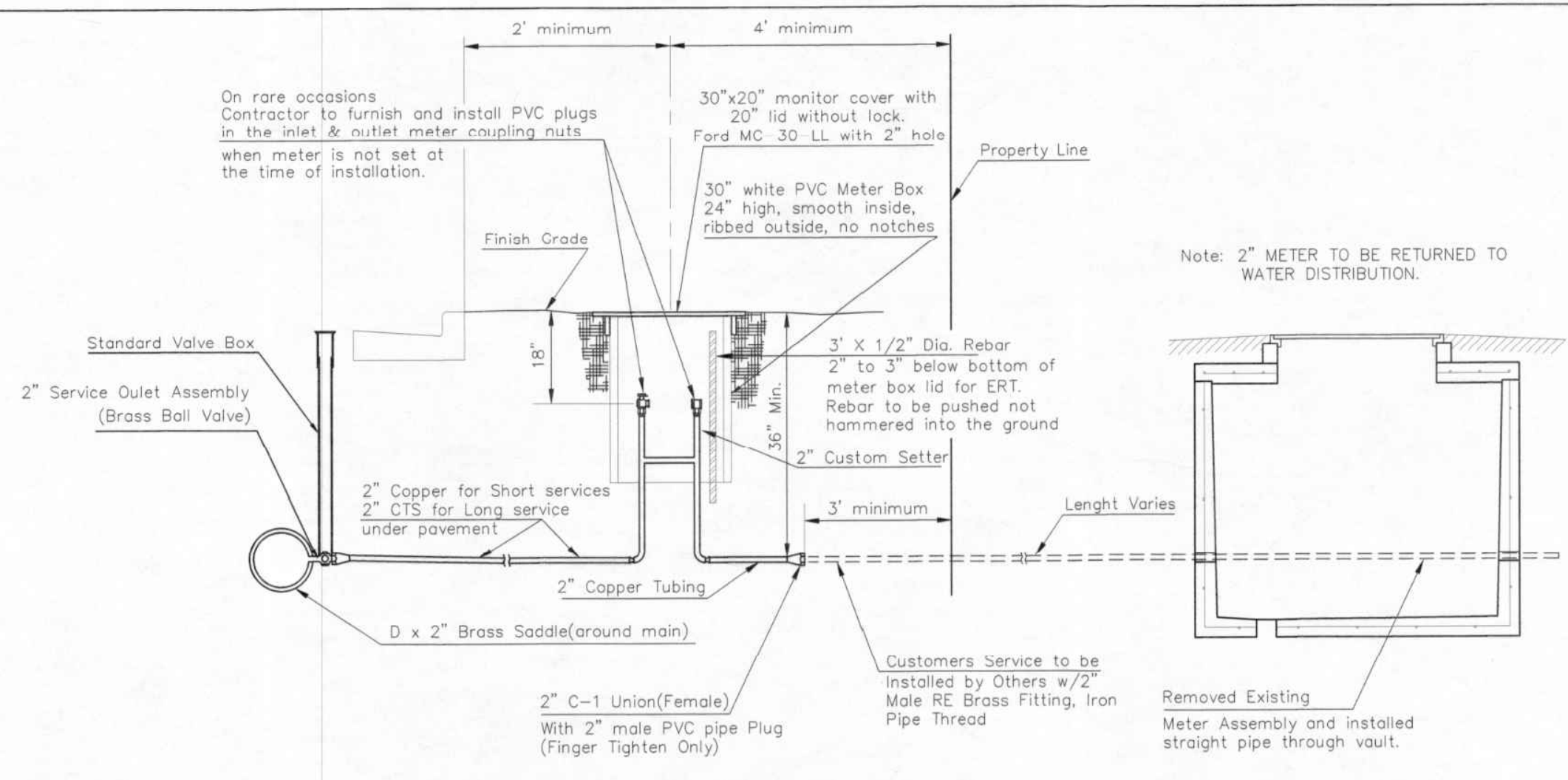


Note: Where the 2" Service Outlet Assembly is to be used to connect a 2" main to another main, the 2" valve shall be a 2" IPT Gate Valve. 2" ball or globe valves shall not be approved for this use.

2" SERVICE OUTLET ASSEMBLY TOP VIEW



MATERIALS FOR 1" or 2" AIR RELEASE ASSEMBLY  $\emptyset = 1" \text{ or } 2"$

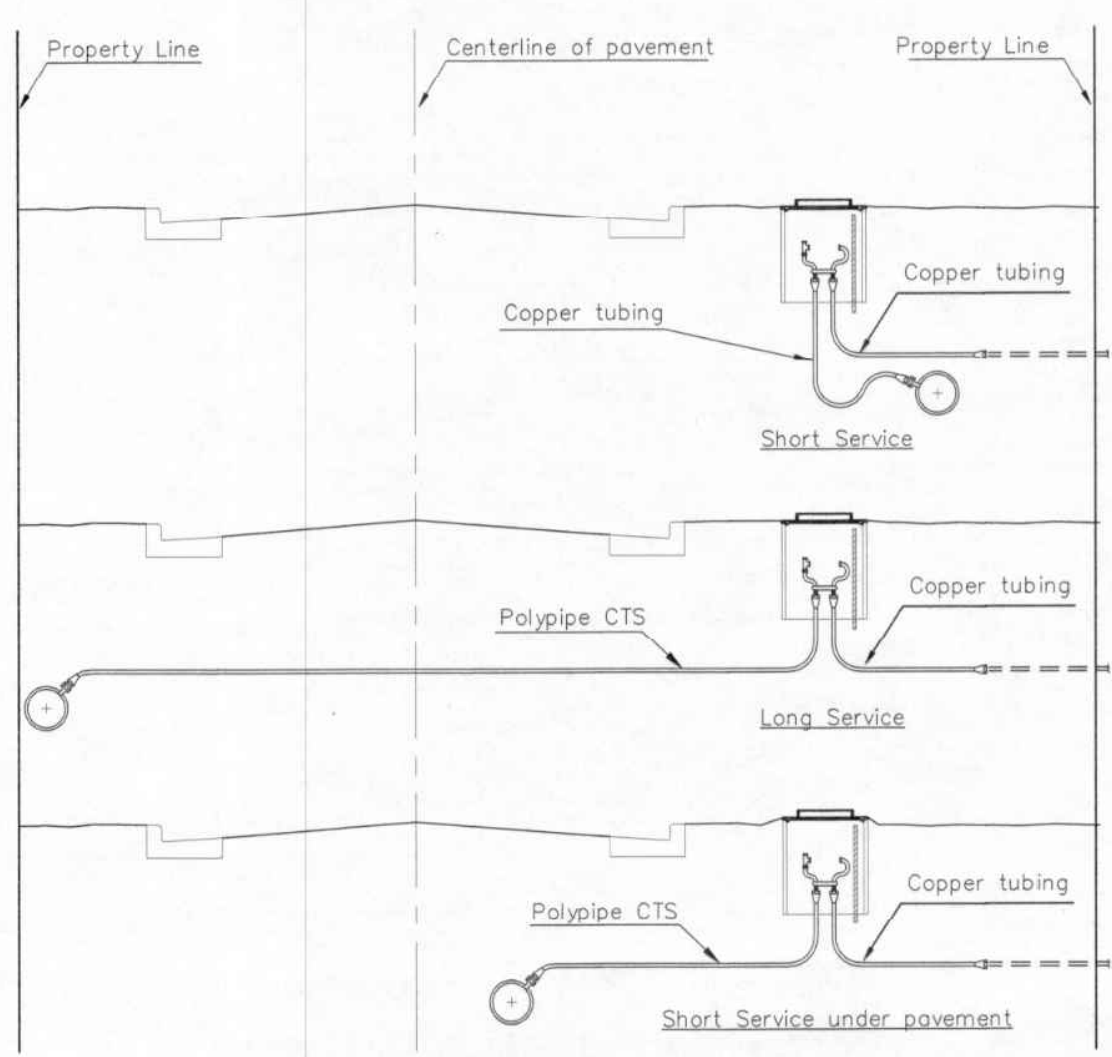


TYPICAL 2" METER SETTING

Note: ONE VALVE STEM EXTENSION FOR EACH VALVE BURIED GREATER THAN 5'.

TYPICAL 2" METER SETTING INVOLVING EXISTING 2" METER VAULT

Note: ONE VALVE STEM EXTENSION FOR EACH VALVE BURIED GREATER THAN 5'.



SERVICE TYPES

REVISED: NOVEMBER 2019 TM 3"x1/2" REBAR IN 1" & 2" METER SETTINGS FOR ERT.

**STANDARD WATER SERVICE DETAIL**  
 CITY ENGINEER  
**GARY JANZEN, P.E.**

PROJECT NUMBER: OCA NUMBER: DATE:

CITY ENGINEER'S OFFICE  
 CITY HALL - SEVENTH FLOOR  
 455 NORTH MAIN STREET  
 WICHITA, KANSAS 67202-1620  
 (316) 268-4501

SHEET    of   

WL-102

