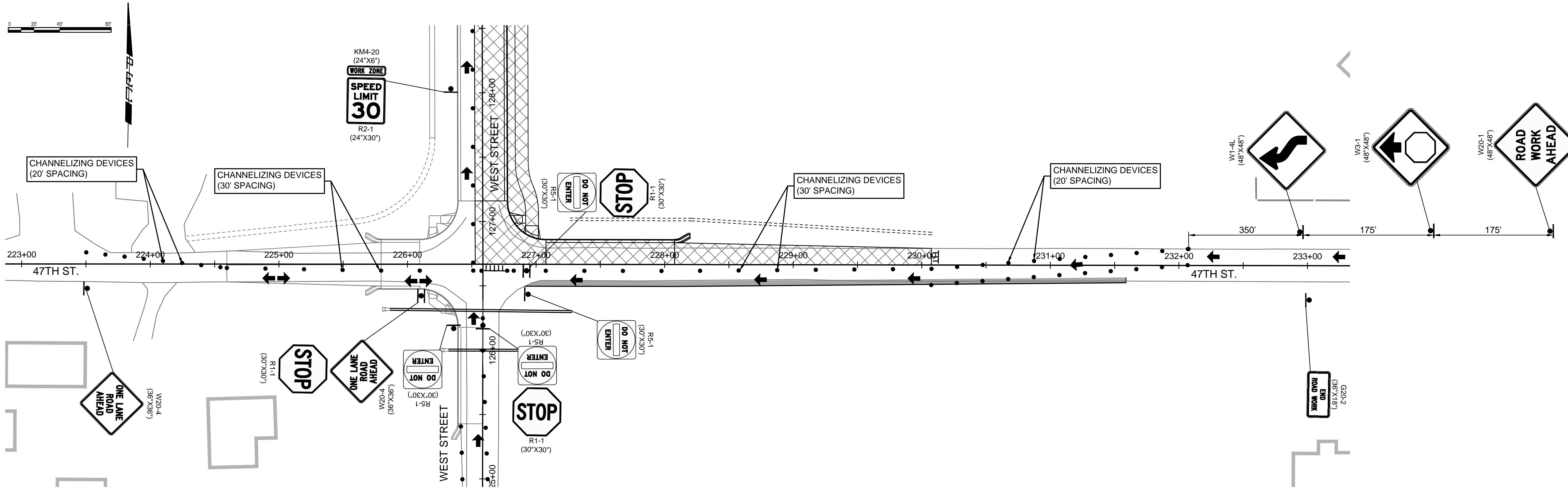
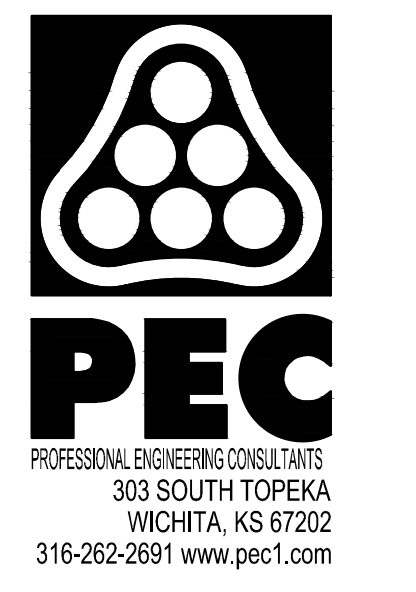
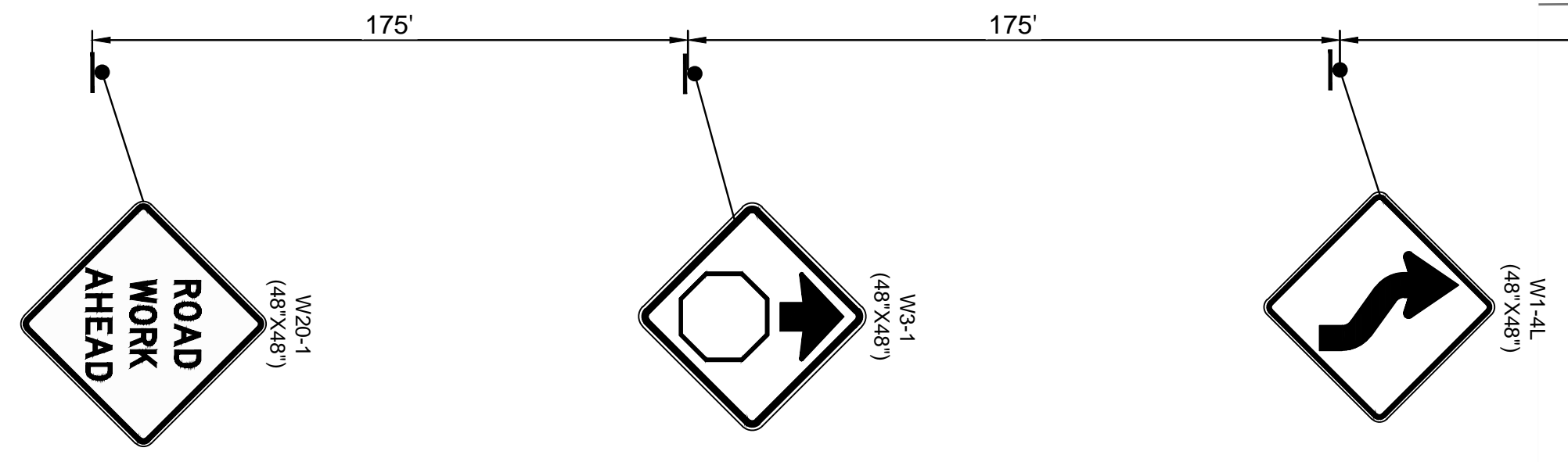
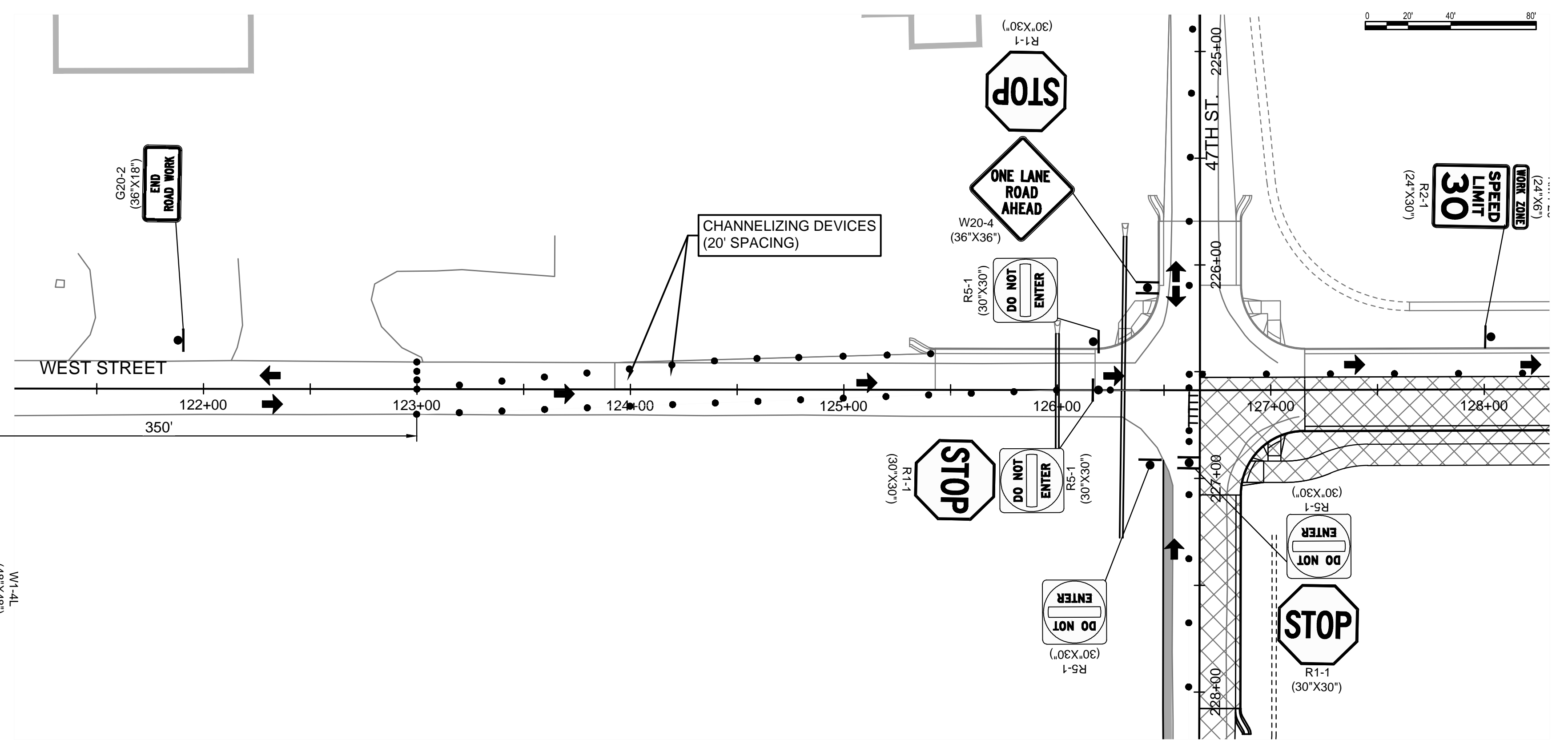


SAVED 10/10/2024 7:56:27 AM BY LUKE.PETER
 PLOTTED 10/10/2024 1:54:45 PM BY LUKE.PETER
 U:\WICHITA-CIVIL\2024\1210254\001\PECDRAWINGS\210254-001 TRAFFIC CONTROL PHASE 4.DWG



- LEGEND**
- WORK AREA
 - CHANNELIZING DEVICES (SPACING AS NOTED)
 - TRAFFIC CONTROL SIGN
 - YELLOW TYPE "A" LOW INTENSITY WARNING LIGHT
 - 18"x18" FLUORESCENT RED-ORANGE FLAGS
 - TYPE III BARRICADE WITH TYPE A LOW INTENSITY FLASHING WARNING LIGHTS
 - ARROW DISPLAY
 - DIRECTION OF TRAFFIC
 - TEMP. AC PAVEMENT 6" W/ 6" CRUSHED ROCK BASE



WEST STREET IMPROVEMENTS
 FROM MACARTHUR ROAD TO
 47TH ST. SOUTH
 CITY OF WICHITA

| | |
|-------------|--------------|
| Issue: | |
| | |
| | |
| | |
| | |
| JOB NO. | 210254-001 |
| DATE | OCTOBER 2024 |
| PM | TPA |
| DESIGNED BY | LGP |
| DRAWN BY | CP |
| CHECKED BY | KMS |

TRAFFIC CONTROL PHASE 4