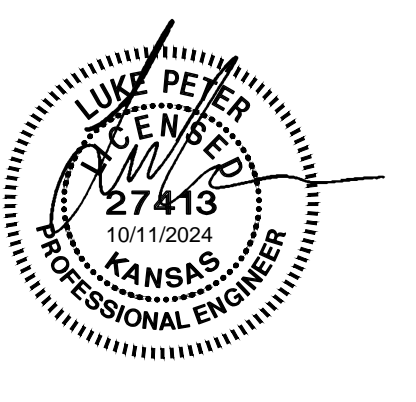
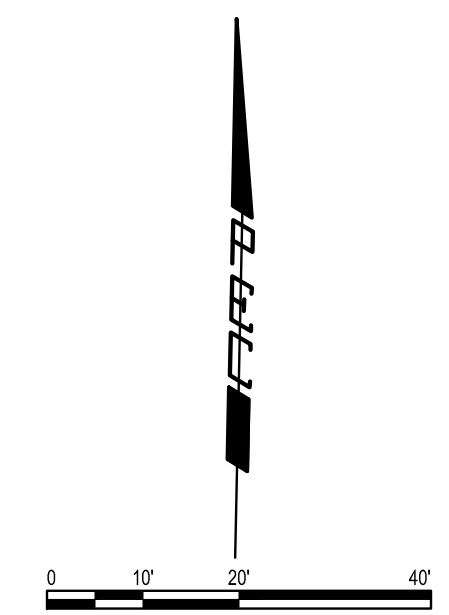
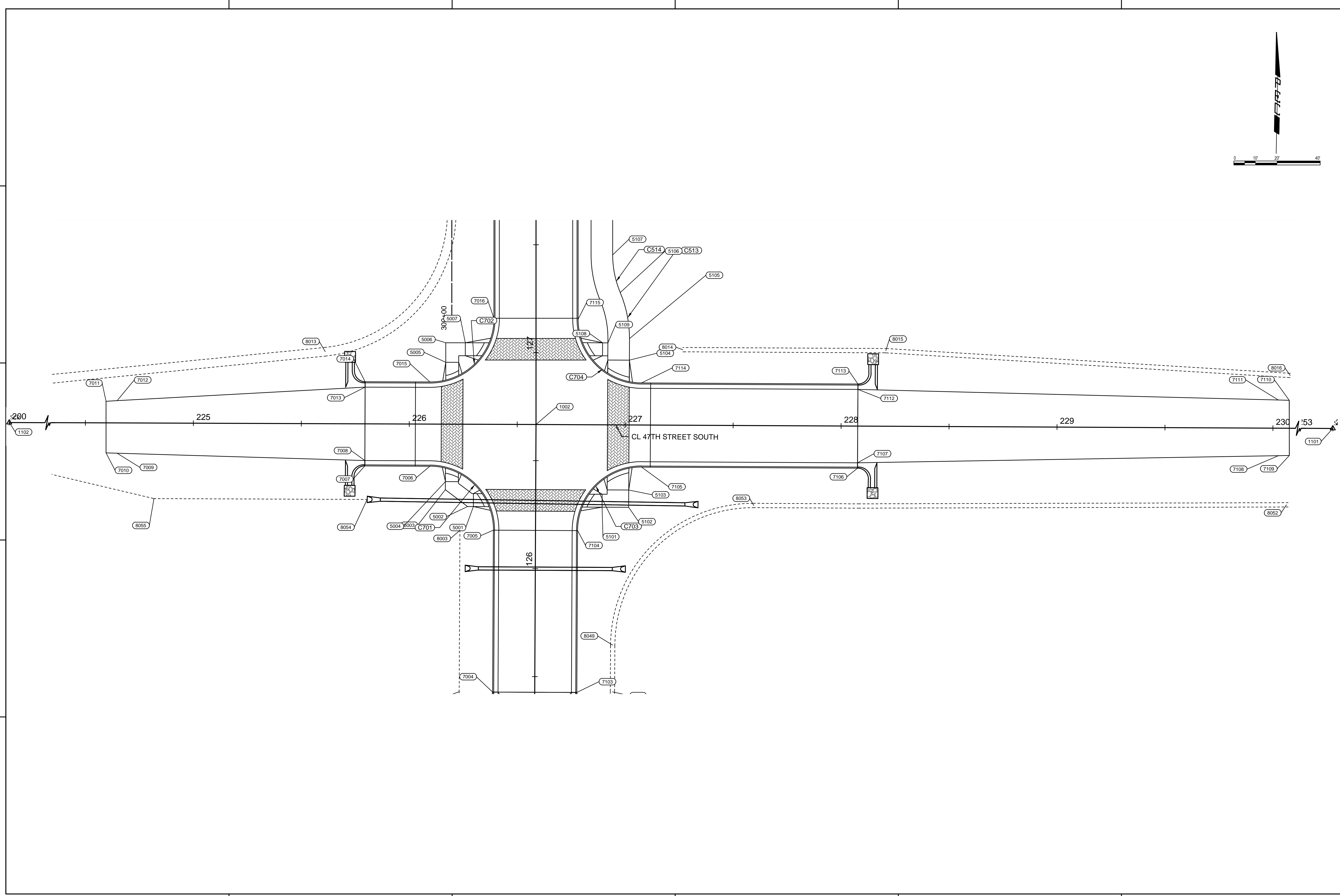


SAVED 10/8/2024 1:08:56 PM BY LUKE PETER
 PLOTTED 10/10/2024 1:36:19 PM BY LUKE PETER
 U:\WICHITA-CIVIL\2024\210254\001\PECDRAWINGS\XX-210254-001-CP301-COGO PLAN.DWG



WEST STREET IMPROVEMENTS
 FROM MACARTHUR ROAD TO
 47TH ST. SOUTH
 CITY OF WICHITA

Issue:	
JOB NO.	210254-001
DATE	OCTOBER 2024
PM	TPA
DESIGNED BY	LGP
DRAWN BY	CP
CHECKED BY	KMS
COORDINATE GEOMETRY PLAN (7)	