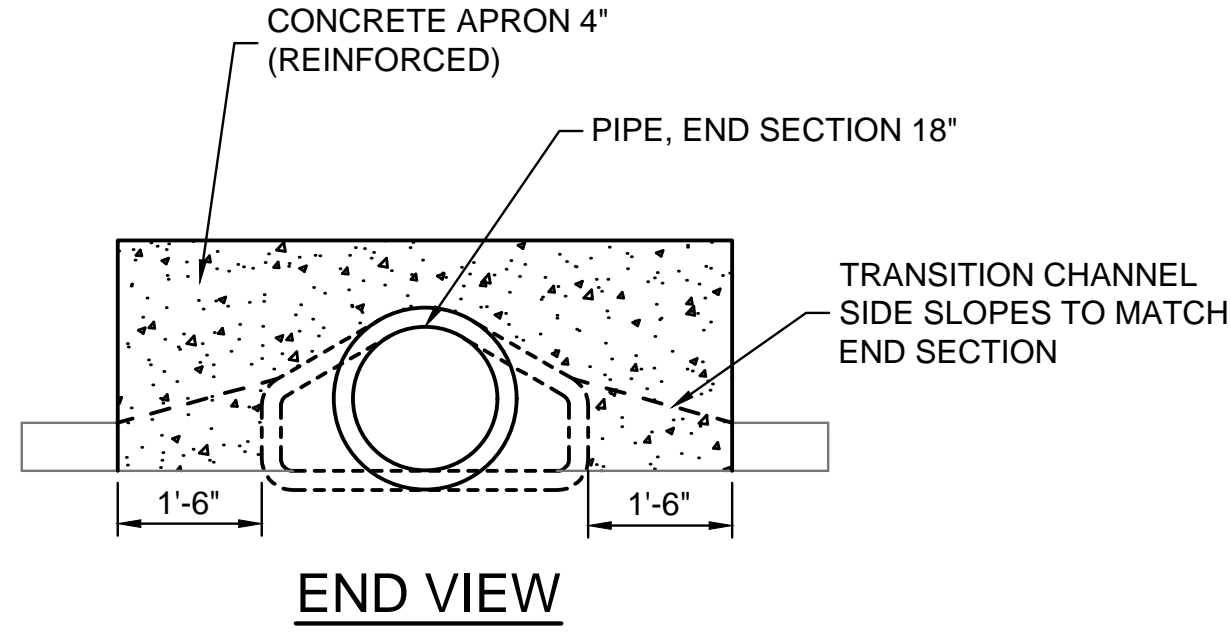
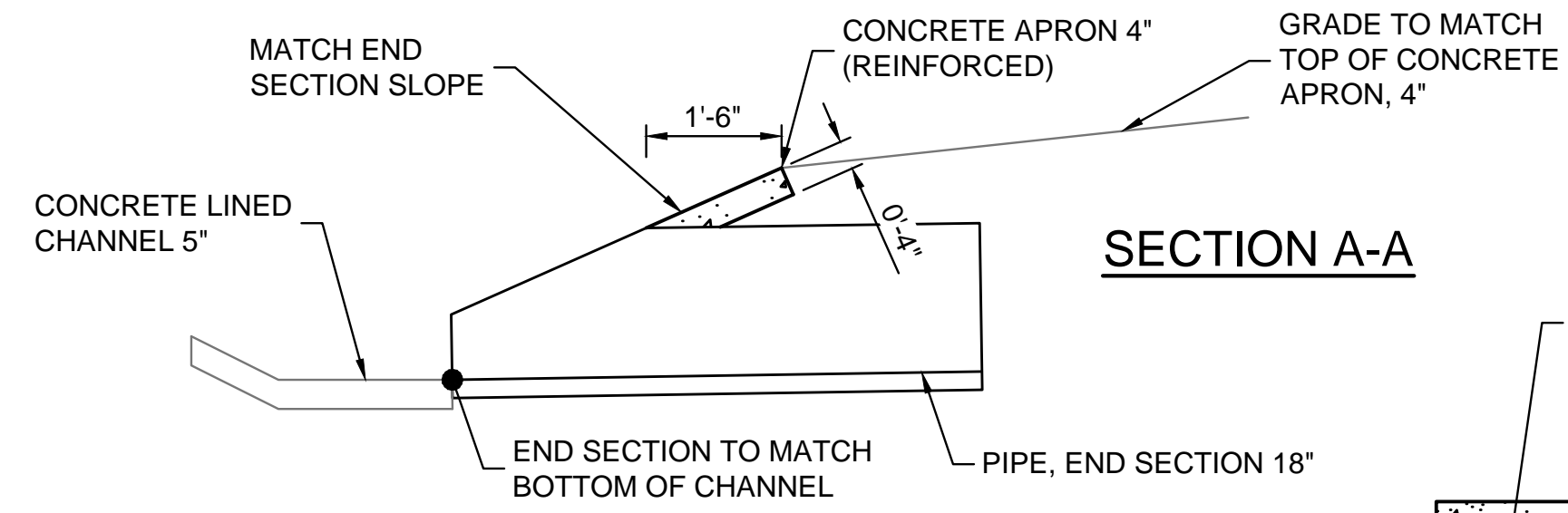


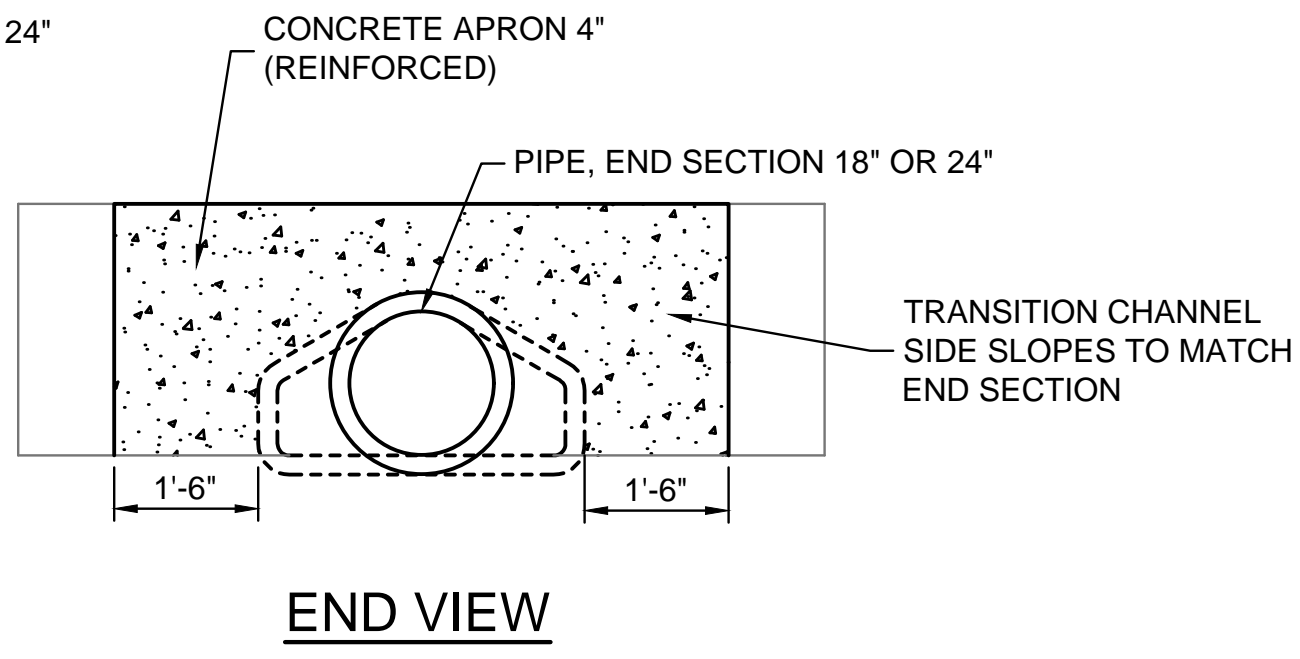
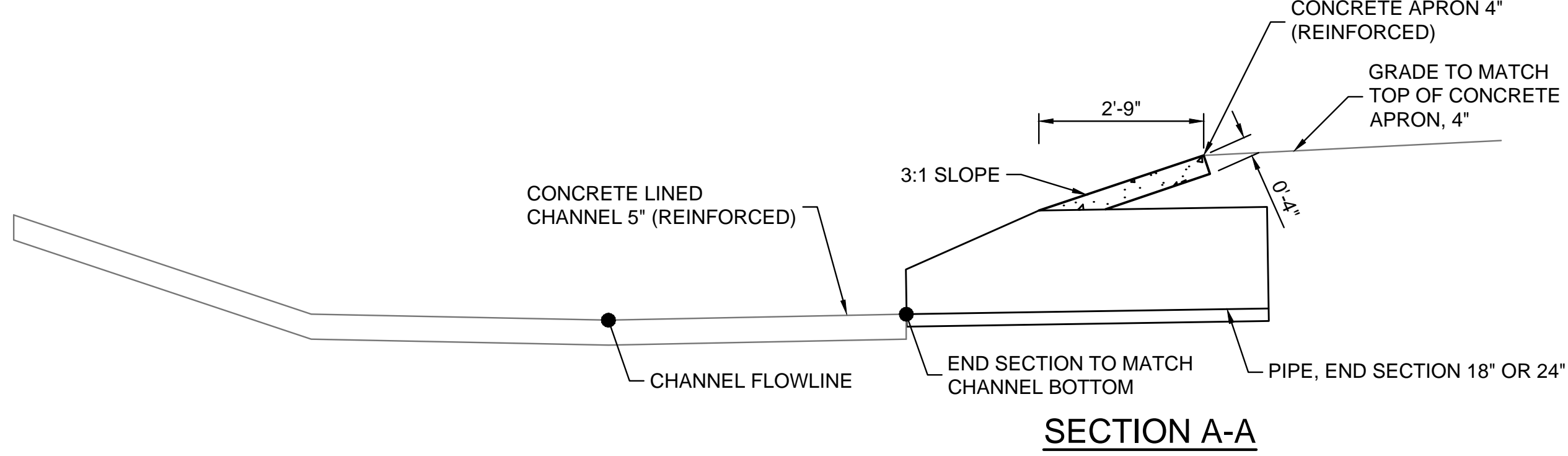
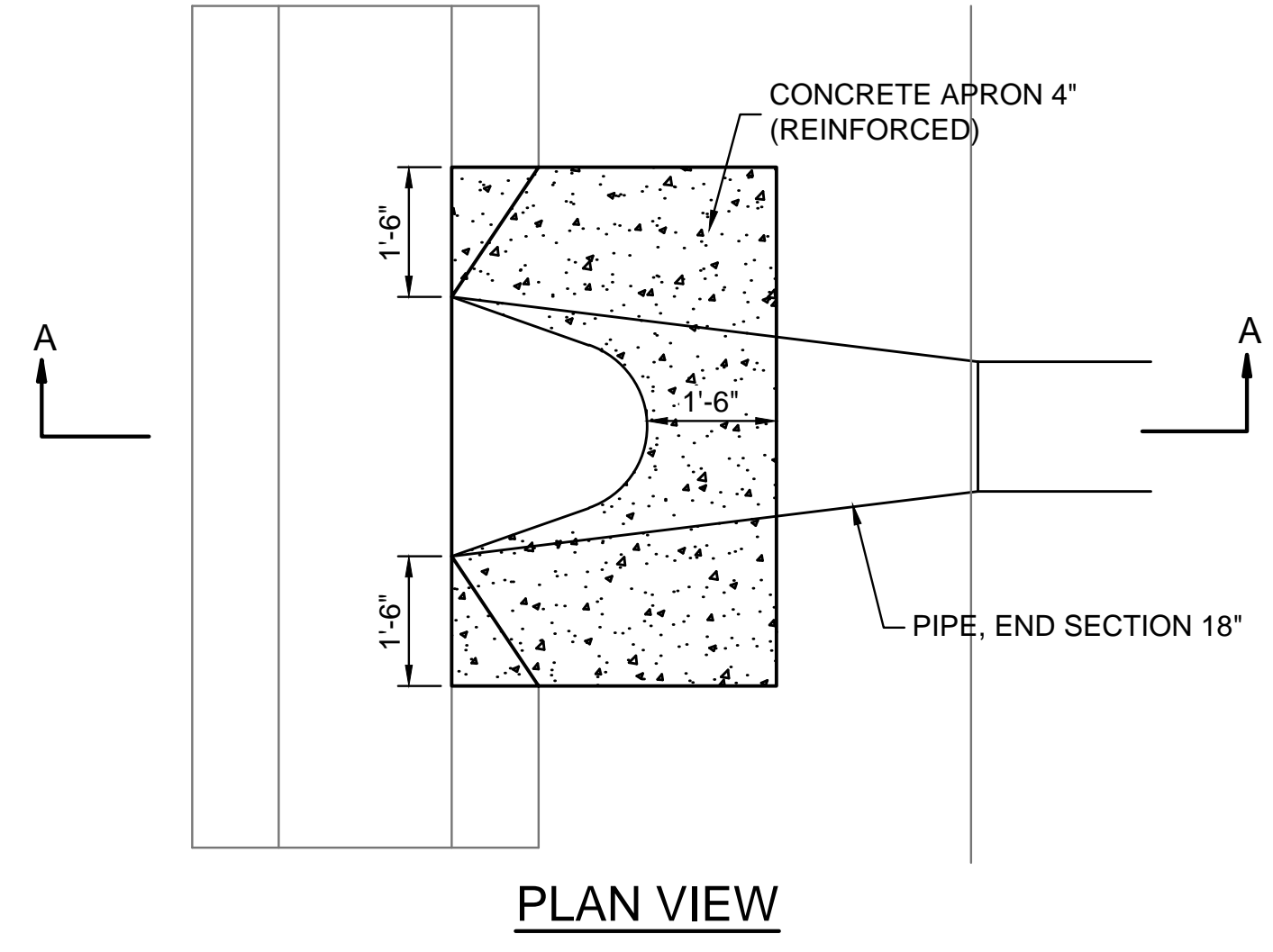
Issue:	

JOB NO.	210254-001
DATE	OCTOBER 2024
PM	TZA
DESIGNED BY	LGP
DRAWN BY	CP
CHECKED BY	KMS
CONCRETE APRON DETAILS (3)	



GENERAL NOTES
1. ALL CONCRETE APRONS SHALL BE REINFORCED WITH #6X6 - W1.4XW1.4 WWF REINFORCEMENT AT MID DEPTH

CONCRETE APRON DETAIL
SWS LINE 9, 10 & 11



GENERAL NOTES
1. ALL CONCRETE APRONS SHALL BE REINFORCED WITH #6X6 - W1.4XW1.4 WWF REINFORCEMENT AT MID DEPTH

CONCRETE APRON DETAIL
SWS LINE 6 & 7

