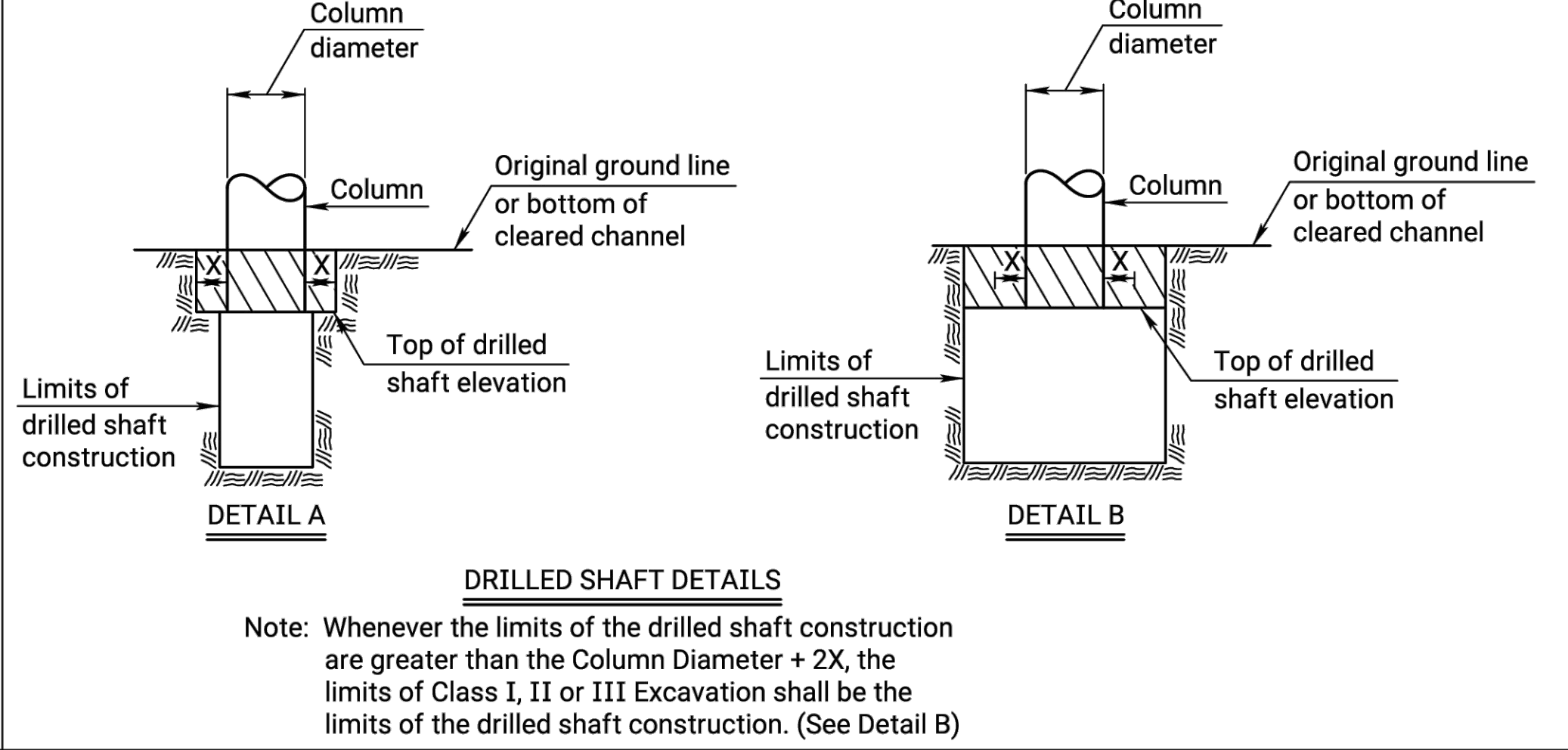
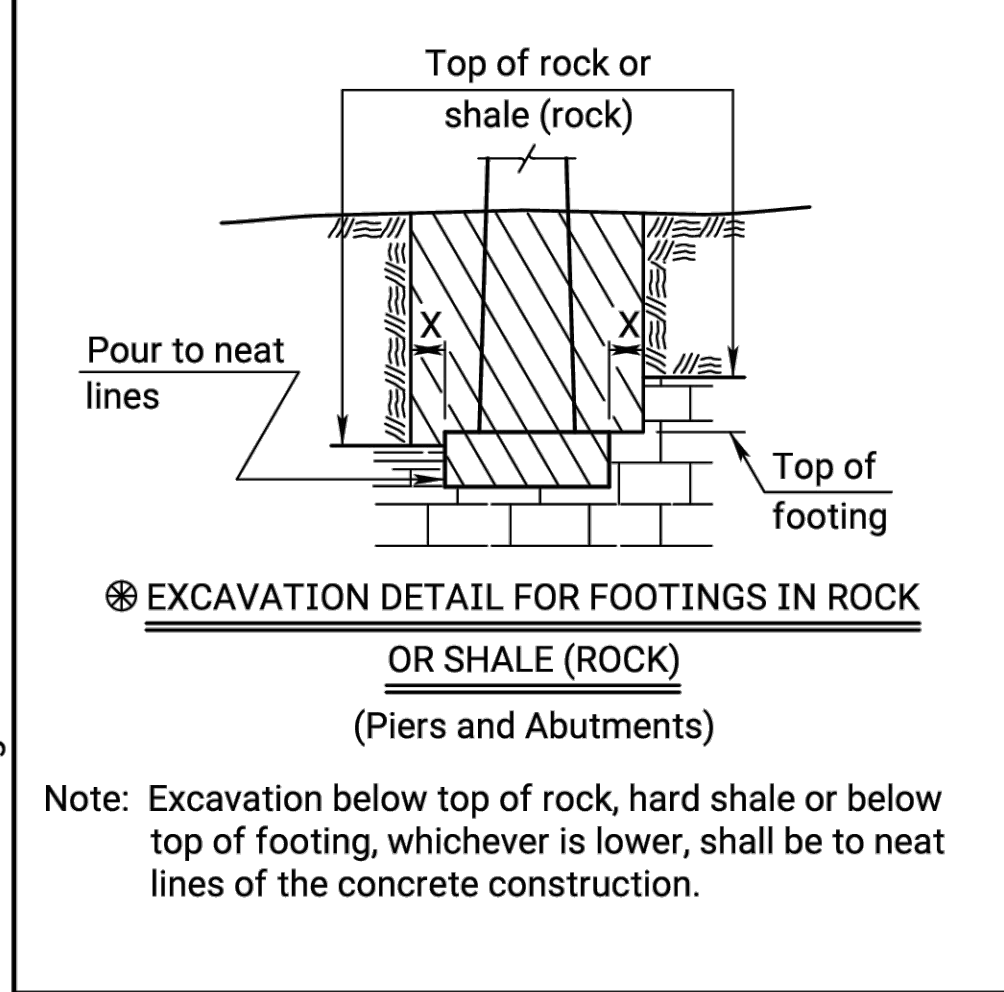
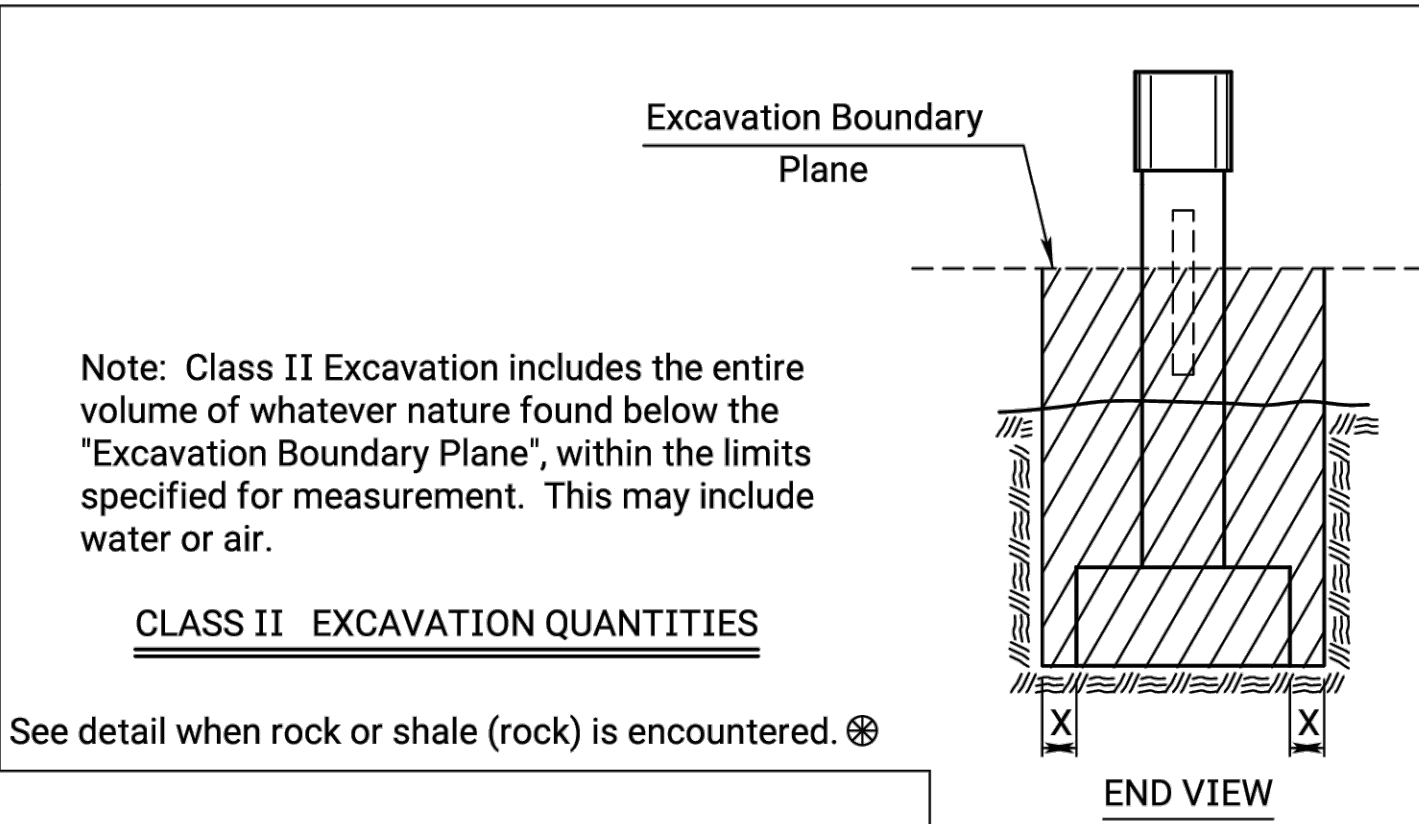
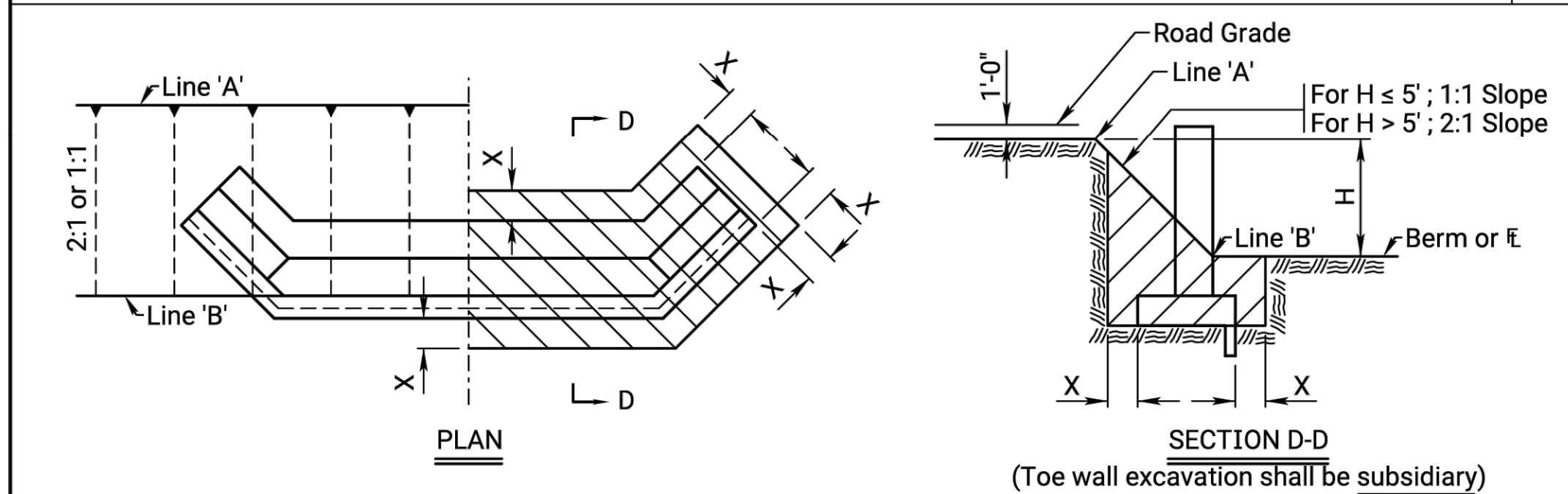
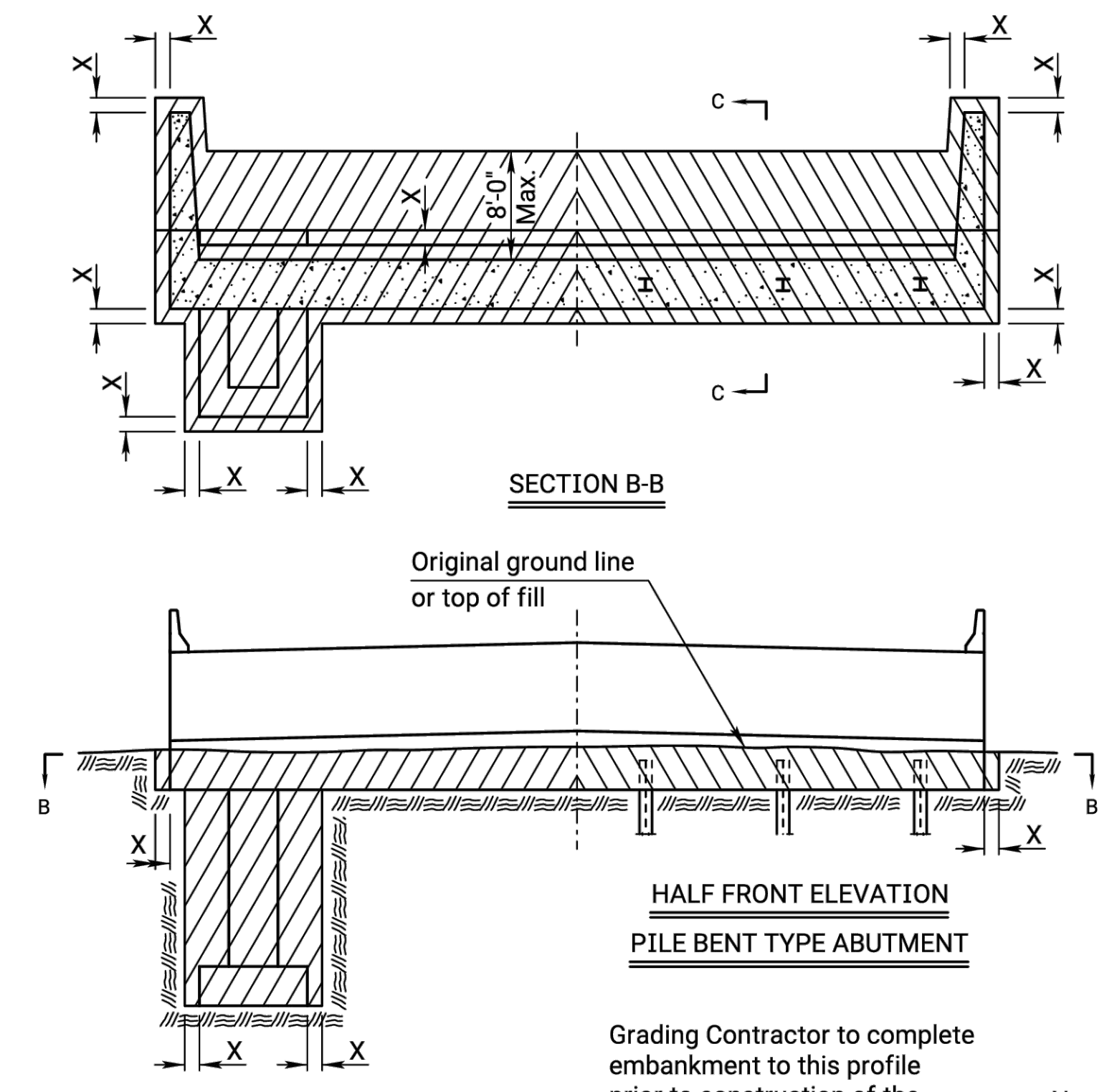
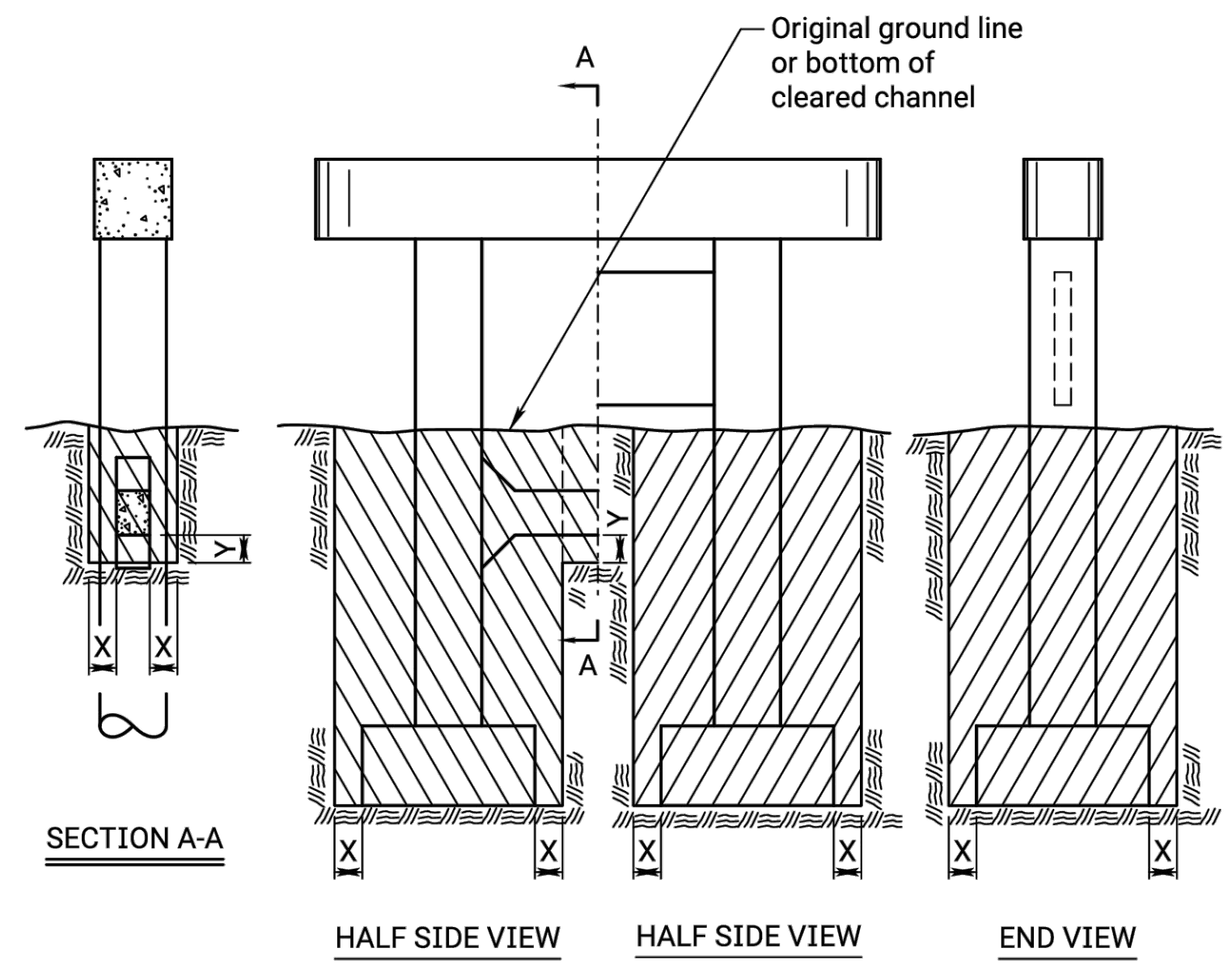
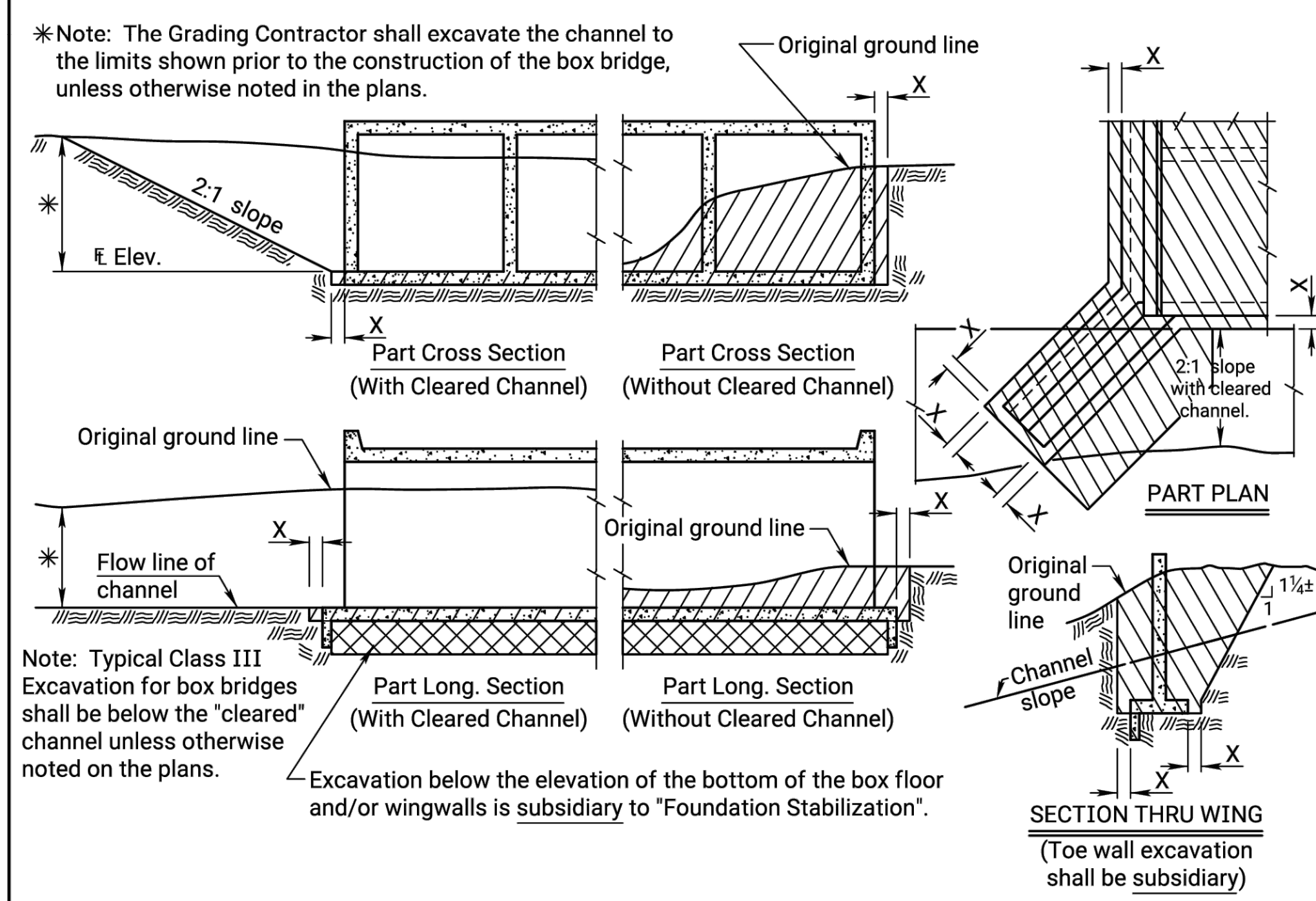


Issue:	
JOB NO.	210254-001
DATE	OCTOBER 2024
PM	TPA
DESIGNED BY	LGP
DRAWN BY	CP
CHECKED BY	KMS
BRIDGE EXCAVATION DETAILS	

STATE	PROJECT NO.	YEAR	SHEET NO.	TOTAL SHEETS
KANSAS		0	0	



Note: All bridge excavation shall be computed on the basis of the cross-hatch areas and boundary lines indicated on this sheet and the Excavation Boundary Plane on the Construction Layout.

Sides of trenches in hard or compacted soil including embankments shall be shored, sheeted, braced or otherwise supported when the trench is more than 5 feet in depth and 8 feet or more in length. In lieu of the shoring, the sides of the trench above the 5 foot level may be sloped to preclude collapse. The slope for average soils shall be 1:1. If the angle of repose of the soil is less, flatter slopes shall be required.

Dimension "X" shall be 2'-0" unless indicated otherwise on the general plans.
Dimension "Y" shall be 1'-6" unless indicated otherwise on the general plans.

06	08-15-12	Embedment Excavation Subsidiary	J.P.J.	T.L.F.
05	05-15-12	Revised Wing Excavation	J.P.J.	T.L.F.
04	03-03-10	Revised Wing Excavation	J.P.J.	T.L.F.
REVISIONS				
NO.	DATE	BY	APPD.	
KANSAS DEPARTMENT OF TRANSPORTATION				
BRIDGE EXCAVATION (LRFD)				
BR100B				
FHWA APPROVAL		04-17-10	APPD.	Terry L. Fleck
DESIGNED	DETAIL	R.D.R.	QUANTITIES	TRACED
DESIGN CK.	DETAIL CK.	L.R.R.	QUAN. CK.	TRACE CK.
KD07 Graphics Certified		06-20-2022	Sh. No. 0	

PLOTTED 10/10/2024 3:20:38 PM BY LUKE PETER
 U:\WICHITA-CIVIL\2024\1210254\001\PEC\DRAWINGS\210254-001-CB103.DWG
 Plotted by : KDOT\CADD_Support_Ks.gov 25-JUN-2022 00:03
 File : br100b.dgn