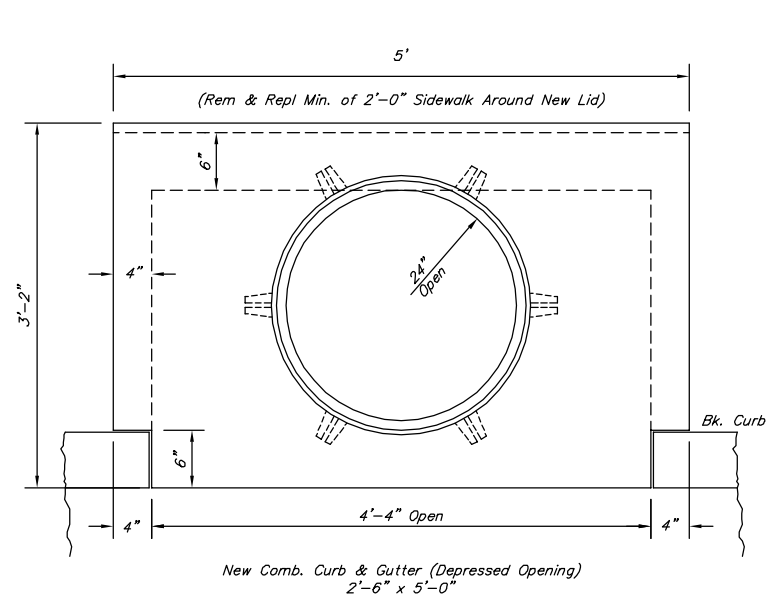
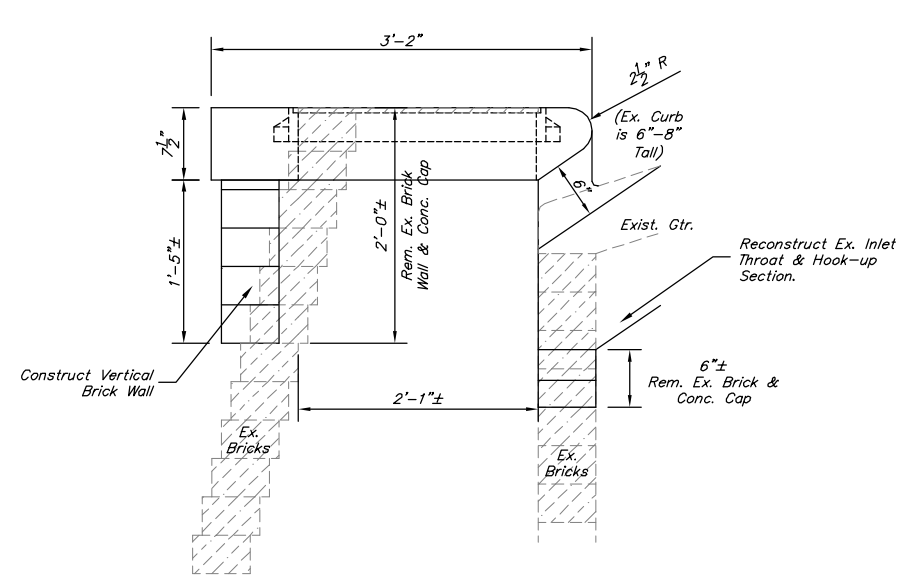


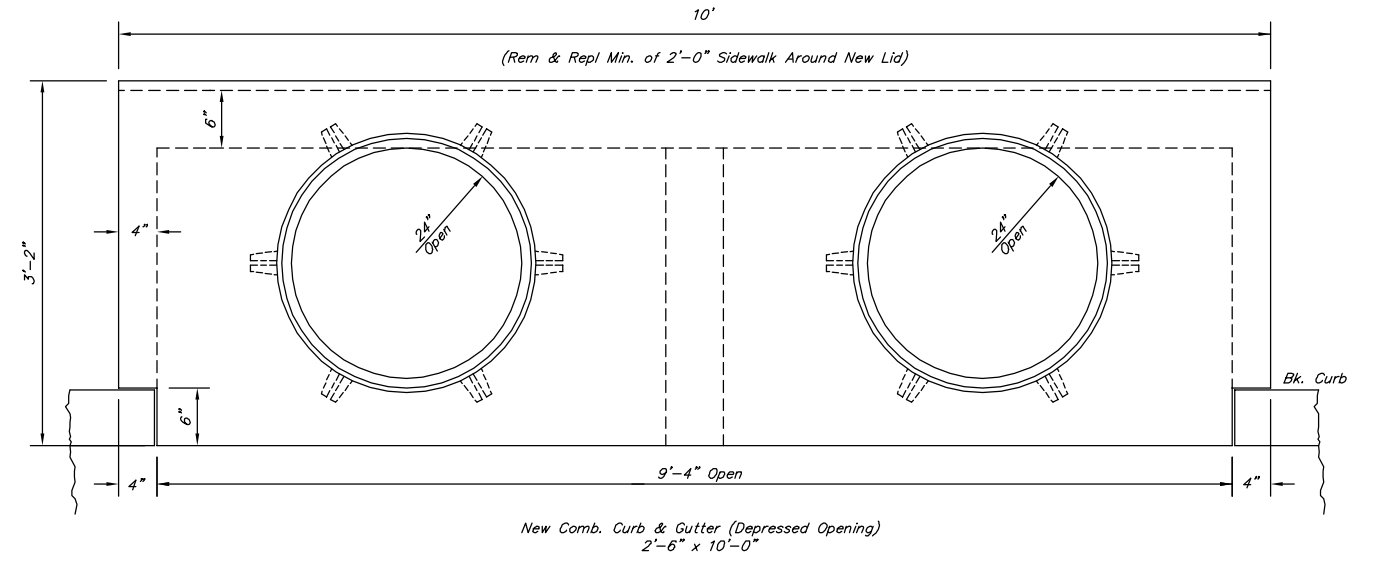
INLET NO.	LOCATION	SIZE	TOP ELEVATION	LEADS							
				DIR.	SIZE	FL ELEV.	DIR.	SIZE	FL ELEV.	MIN COVER OVER PIPE	
1	NW Cor Washington & 1st	17" x 52"	1296.22	E	15"	1292.97					21"
2	S Side of 1st E of Washington	20" x 54"	1296.26	N	15"	1292.59					26"
3	N Side of Douglas E of Wabash	17" x 52"	1295.29	W	27"	1291.02	S	27"	1291.02		23"
4	S Side of Douglas W of Ida	18" x 52"	1295.40	E	15"	1292.28					19"
5	N Side of Douglas W of Ohio	17" x 52"	1294.74	E	15"	1291.62					19"
6	W Side of Ohio N of Douglas	17" x 114"	1294.70	S	18"	1291.49					18"
7	S Side of Douglas W of Laura	15" x 53"	1294.62	E	15"	1292.01					14"
8	E Side of Ohio N of Douglas	18" x 114"	1294.45	S	15"	1291.35					20"
9	N Side of Douglas E of Ohio	14" x 53"	1294.48	W	12"	1291.92					17"
10	N Side of Douglas W of Indiana	14" x 51"	1294.43	E	15"	1291.75					15"
11	W Side of Indiana N of Douglas	15" x 115"	1294.45	S	18"	1291.35					19"
12	E Side of Indiana N of Douglas	16" x 115"	1294.42	S	18"	1290.71					26"
13	N Side of Douglas E of Indiana	15" x 54"	1294.39	W	30"	1289.65	S	30"	1289.65		24"
14	N Side of Douglas W of Cleveland	17" x 53"	1294.58	S	30"	1289.66	W	30"	1289.66		26"
15	W Side of Cleveland N of Douglas	19" x 110"	1294.68	S	18"	1290.53					30"
16	E Side of Cleveland N of Douglas	17" x 112"	1294.70	S	18"	1291.45					20"
17	N Side of Douglas E of Cleveland	15" x 53"	1294.87	W	15"	1292.03					16"
18	S Side of Douglas E of Lulu	15" x 53"	1295.65	N	30"	1289.46	W	30"	1289.46		41"
19	N Side of Douglas W of Mathewson	16" x 53"	1295.85	S	30"	1289.47	E	27"	1289.68		44"
20	E Side of Mathewson N of Douglas	17" x 53"	1295.98	S	18"	1292.58					21"
21	N Side of Douglas E of Mathewson	18" x 51"	1296.06	W	24"	1290.35	E	24"	1290.35		41"
22	W Side of New York N of Douglas	18" x 51"	1296.83	S	18"	1293.35					21"
23	E Side of New York N of Douglas	18" x 51"	1296.69	S	18"	1292.95					25"
24	N Side of Douglas E of New York	18" x 52"	1296.75	W	15"	1293.63					21"
25	N Side of Douglas W of Hydraulic	20" x 53"	1296.16	NE	15"	1292.83					23"
26	W Side of Hydraulic N of Douglas	18" x 52"	1296.30	SW	15"	1292.65	E	15"	1292.73		23"
27	E Side of Hydraulic N of Douglas	17" x 52"	1296.42	W	15"	1292.90					26"
28	N Side of Douglas E of Hydraulic	18" x 53"	1296.27	NW	15"	1292.95					23"



Single Inlet



INLET REHABILITATION DETAIL



Double Inlet

The Contractor Shall Remove and Replace in Kind the Existing Concrete Sidewalk Around the Existing Inlets that are to be Rehabilitated as Necessary. This Removal and Replacement Shall Not be Included in the Measured Quantity Bid Item for Such, but Shall be Considered INCIDENTAL to the Rehabilitation of the Inlet.