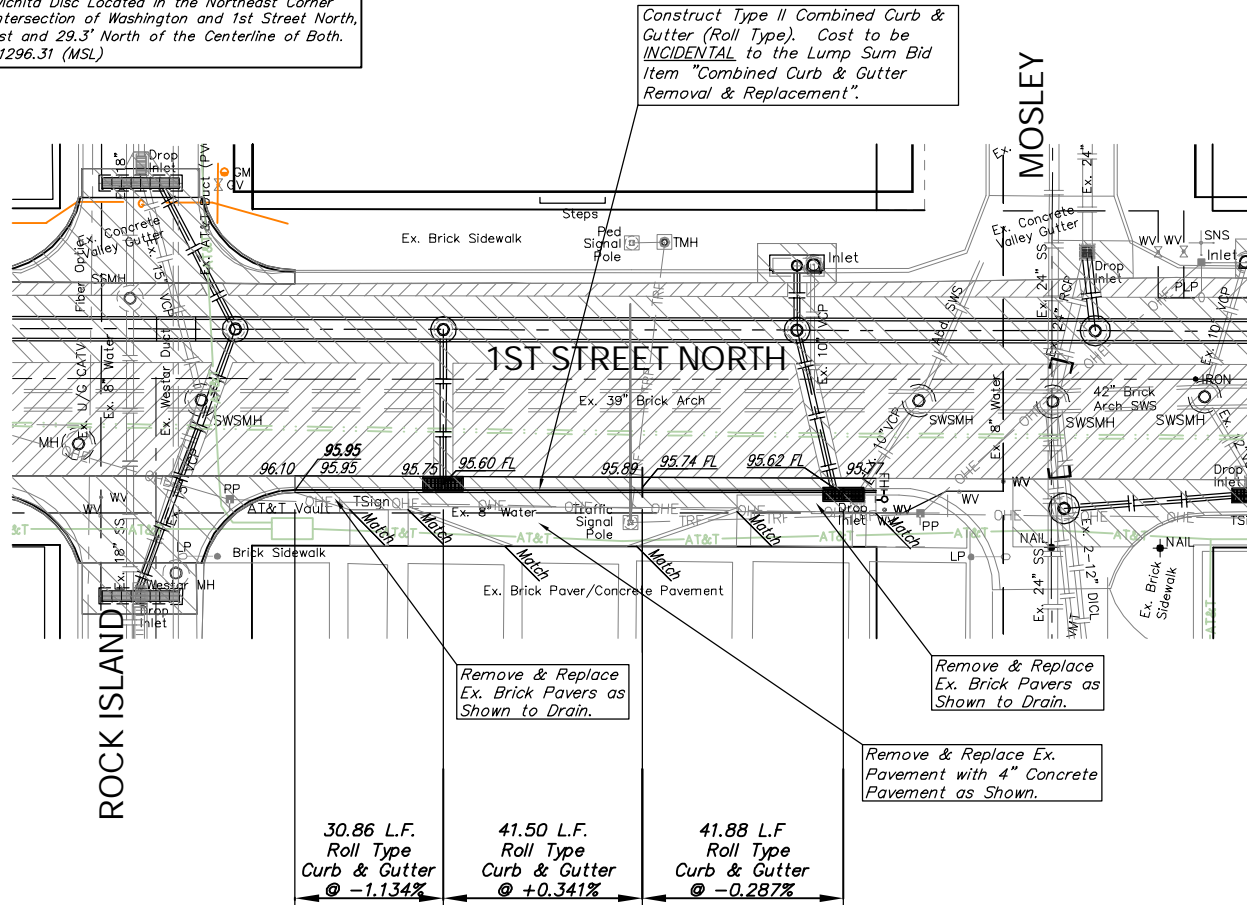


BENCHMARK:
 BM #1 - City of Wichita Disc Located in the Northeast Corner
 of the Intersection of Washington and 1st Street North,
 83.9' East and 29.3' North of the Centerline of Both.
 Elev. = 1296.31 (MSL)

Construct Type II Combined Curb &
 Gutter (Roll Type). Cost to be
 INCIDENTAL to the Lump Sum Bid
 Item "Combined Curb & Gutter
 Removal & Replacement".



SCALE: 1" = 20'

30.86 L.F. Roll Type Curb & Gutter @ -1.134%

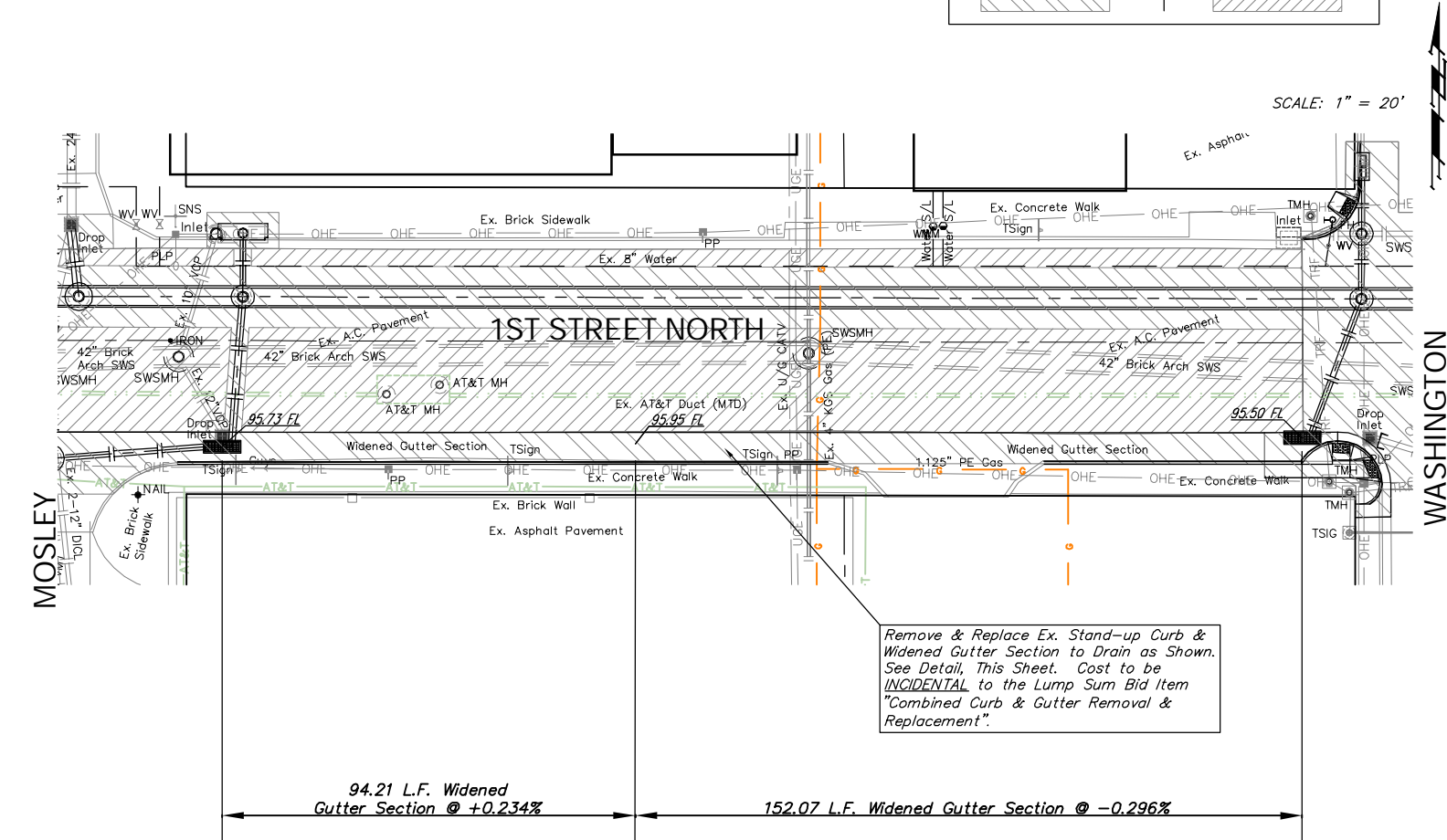
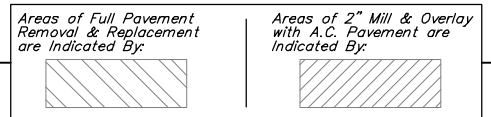
41.50 L.F. Roll Type Curb & Gutter @ +0.341%

41.88 L.F. Roll Type Curb & Gutter @ -0.287%

Remove & Replace Ex. Brick Pavers as Shown to Drain.

Remove & Replace Ex. Brick Pavers as Shown to Drain.

Remove & Replace Ex. Pavement with 4" Concrete Pavement as Shown.



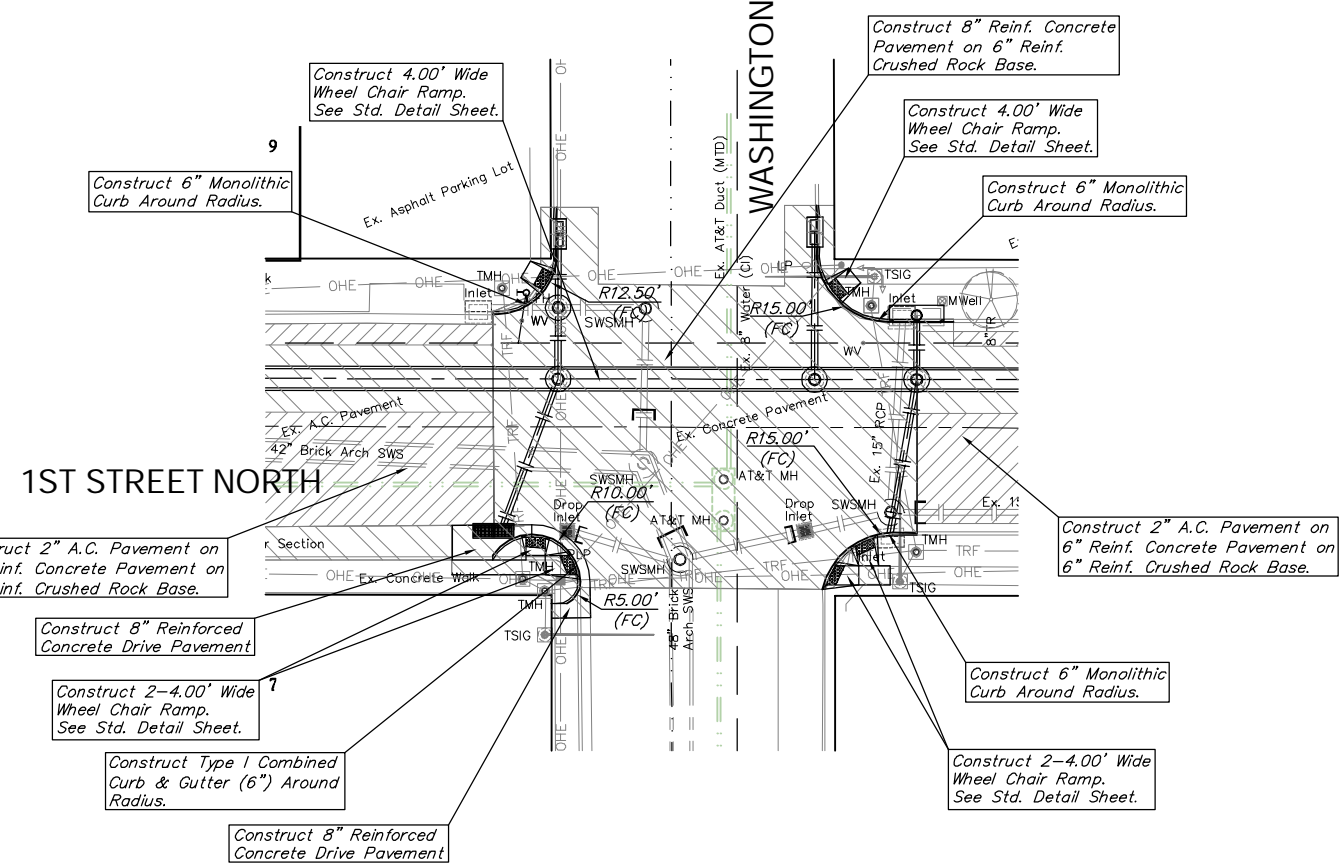
SCALE: 1" = 20'

94.21 L.F. Widened Gutter Section @ +0.234%

152.07 L.F. Widened Gutter Section @ -0.296%

Remove & Replace Ex. Stand-up Curb & Widened Gutter Section to Drain as Shown. See Detail, This Sheet. Cost to be INCIDENTAL to the Lump Sum Bid Item "Combined Curb & Gutter Removal & Replacement".

BENCHMARK:
 BM #1 - City of Wichita Disc Located in the Northeast Corner
 of the Intersection of Washington and 1st Street North,
 83.9' East and 29.3' North of the Centerline of Both.
 Elev. = 1296.31 (MSL)



SCALE: 1" = 20'

Construct 2" A.C. Pavement on 6" Reinf. Concrete Pavement on 6" Reinf. Crushed Rock Base.

Construct 8" Reinforced Concrete Drive Pavement

Construct 2-4.00' Wide Wheel Chair Ramp. See Std. Detail Sheet.

Construct Type I Combined Curb & Gutter (6") Around Radius.

Construct 8" Reinforced Concrete Drive Pavement

Cost of 6" Monolithic Curb Shall be INCIDENTAL to the Lump Sum Bid Item "Combined Curb & Gutter Removal & Replacement".

Construct 4.00' Wide Wheel Chair Ramp. See Std. Detail Sheet.

Construct 6" Monolithic Curb Around Radius.

Construct 8" Reinf. Concrete Pavement on 6" Reinf. Crushed Rock Base.

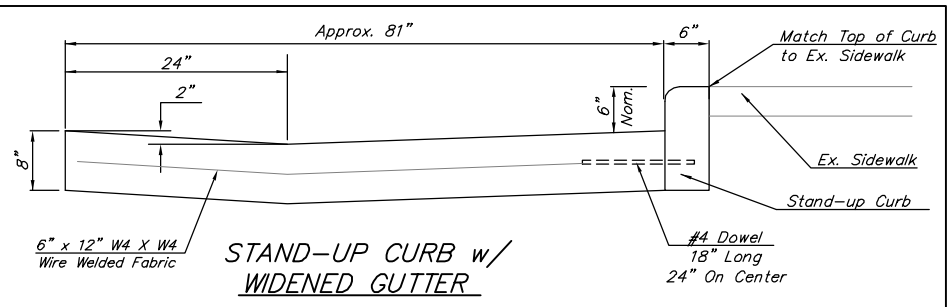
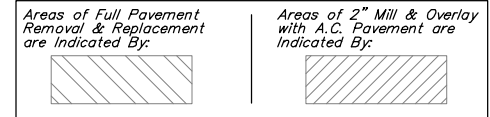
Construct 4.00' Wide Wheel Chair Ramp. See Std. Detail Sheet.

Construct 6" Monolithic Curb Around Radius.

Construct 2" A.C. Pavement on 6" Reinf. Concrete Pavement on 6" Reinf. Crushed Rock Base.

Construct 6" Monolithic Curb Around Radius.

Construct 2-4.00' Wide Wheel Chair Ramp. See Std. Detail Sheet.



Drawing File: E:\eng\Old Town Drainage\Land\dtg\OTD Base.dwg (PAV02)
 Design: TPV/KK
 Date: SS/TPV
 Approvers: TPV
 1 NOTED

Project No. 05-05-E258 CITY OF WICHITA, KANSAS
 1ST STREET NORTH PAVING
 ROCK ISLAND TO MOSLEY & WASHINGTON
 DOUGLAS AVENUE DRAINAGE OUTFALL PROJECT

Baughman Company, P.A.
 315 Ellis St. Wichita, KS 67211 P 316-262-7271 F 316-262-0149
 ENGINEERING | SURVEYING | PLANNING | LANDSCAPE ARCHITECTURE

July 2007
 SHEET 50 OF 87