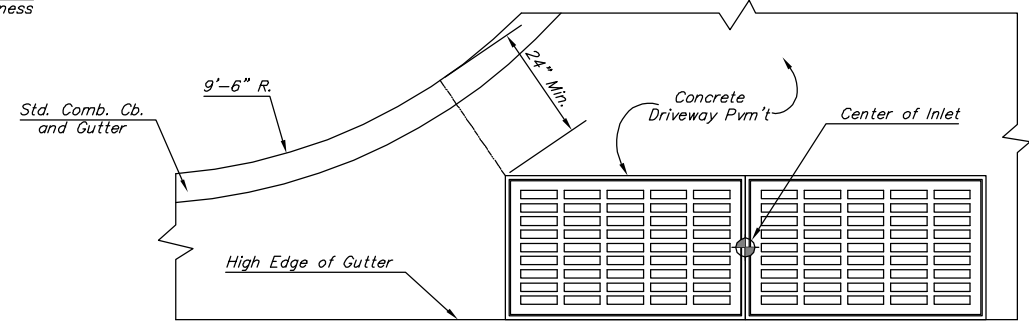


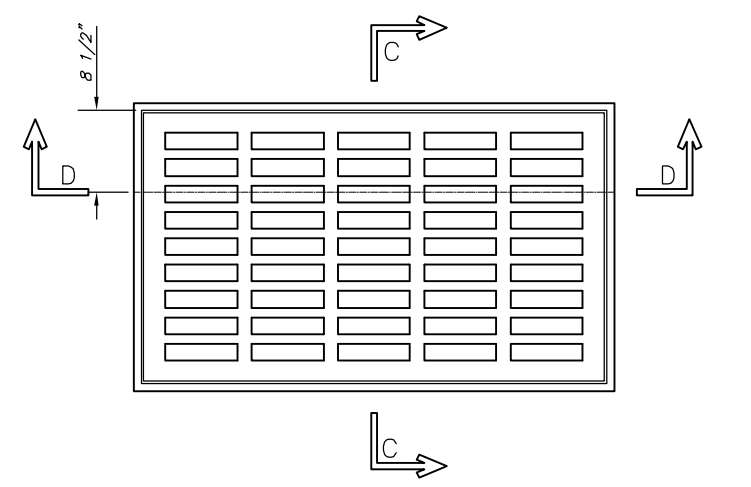
SECTION B-B



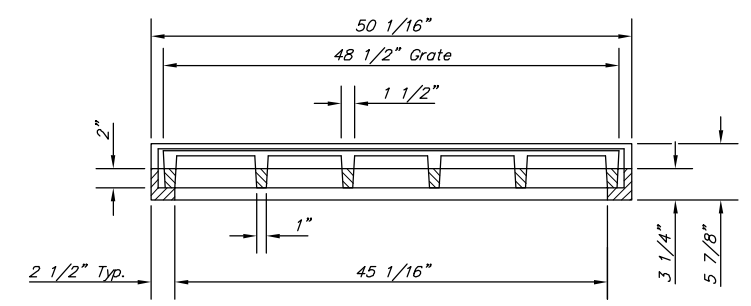
PLAN

GENERAL NOTES

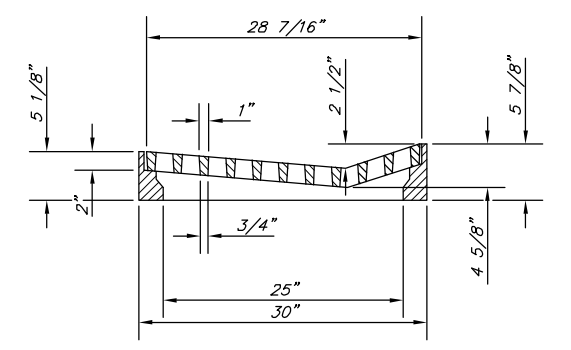
1. Grate frames to be installed on thin mortar cushion to insure full support along brick walls. Concrete used for inlet construction shall be concrete pavement mix.
2. Inlet invert shall be shaped with 8 sack sand mix concrete to create flow channels and to increase hydraulic efficiency such that the inlet will be self cleaning between all inlet and/or outlet pipes.
3. The ends of all pipes installed in inlets shall be cut off flush with the inside face of the inlet wall.
4. Inlet Frames and Grates to be two (2) Deeter #2095 or approved equal.



PLAN



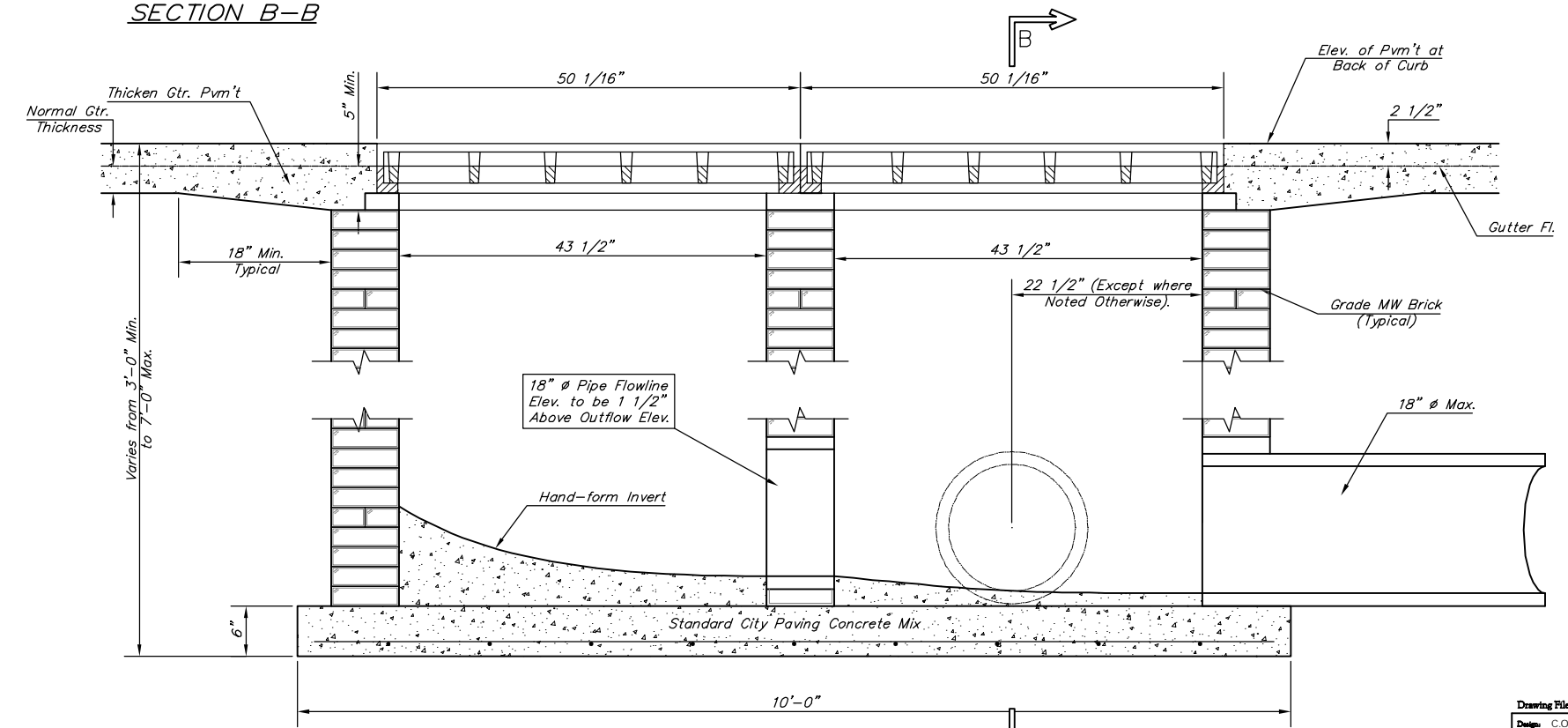
SECTION D-D



SECTION C-C

DEETER #2095 FRAME & GRATE

TOTAL WEIGHT: 705 lbs.
(2 Each Required)



SECTION A-A

Design: C.O.W.
Drawn: C.O.W.
Approved: TPV
None

Project No. 05-05-E258
CITY OF WICHITA, KANSAS
STANDARD DOUBLE DRIVE
INLET DETAILS
DOUGLAS AVENUE DRAINAGE OUTFALL PROJECT

Baughman Company, P.A.
315 Ellis St. Wichita, KS 67211 P 316-262-7271 F 316-262-0149
ENGINEERING | SURVEYING | PLANNING | LANDSCAPE ARCHITECTURE

July 2007
SHEET 64
OF 87