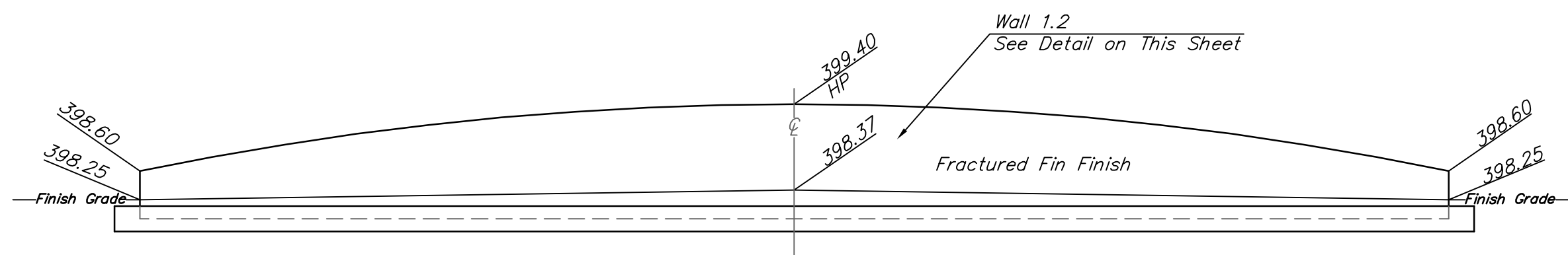
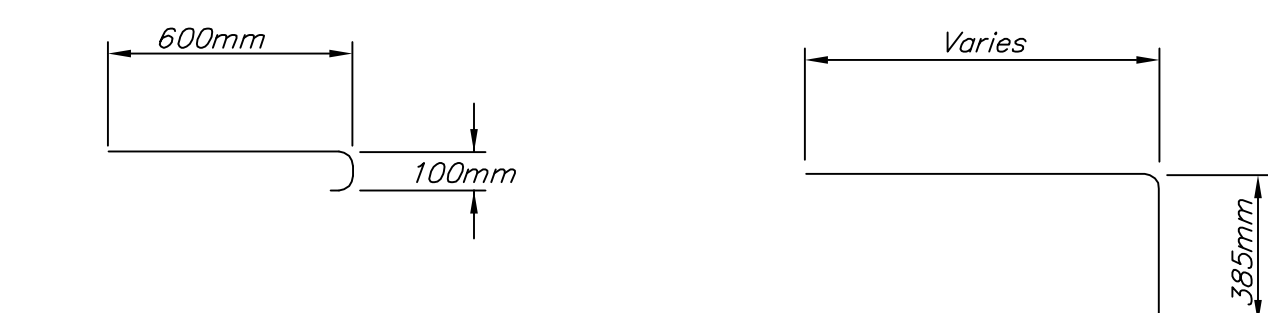


FHWA REGION NO.	STATE	PROJECT NO.	FISCAL YEAR	SHEET NO.	TOTAL SHEETS
7	KANSAS	87TE-0158-01	2001	7	26



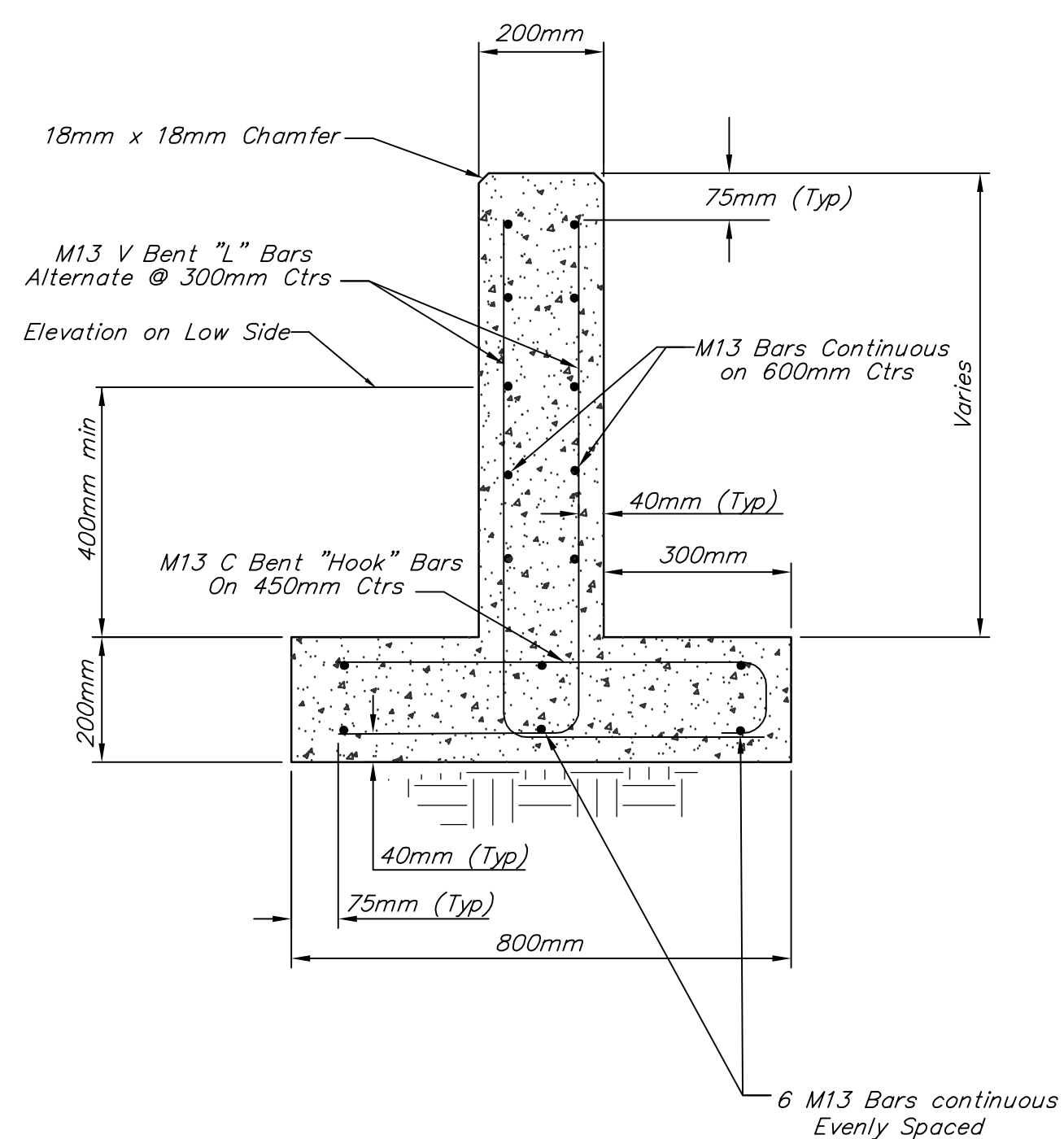
WALL ELEVATION- WALL 1.2

NO SCALE



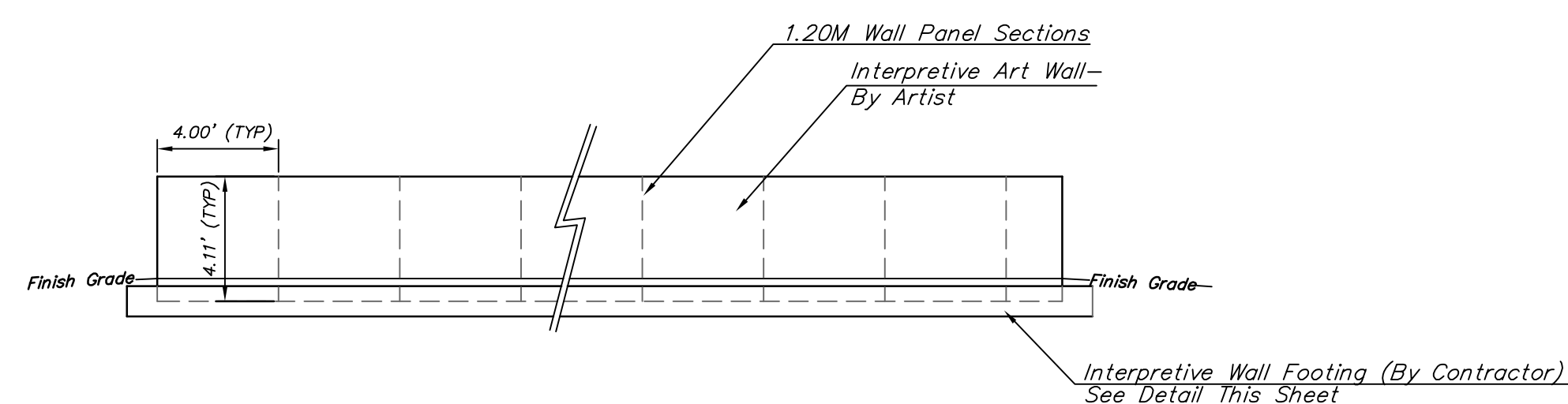
"C" BAR
NO SCALE

"V" BAR
NO SCALE



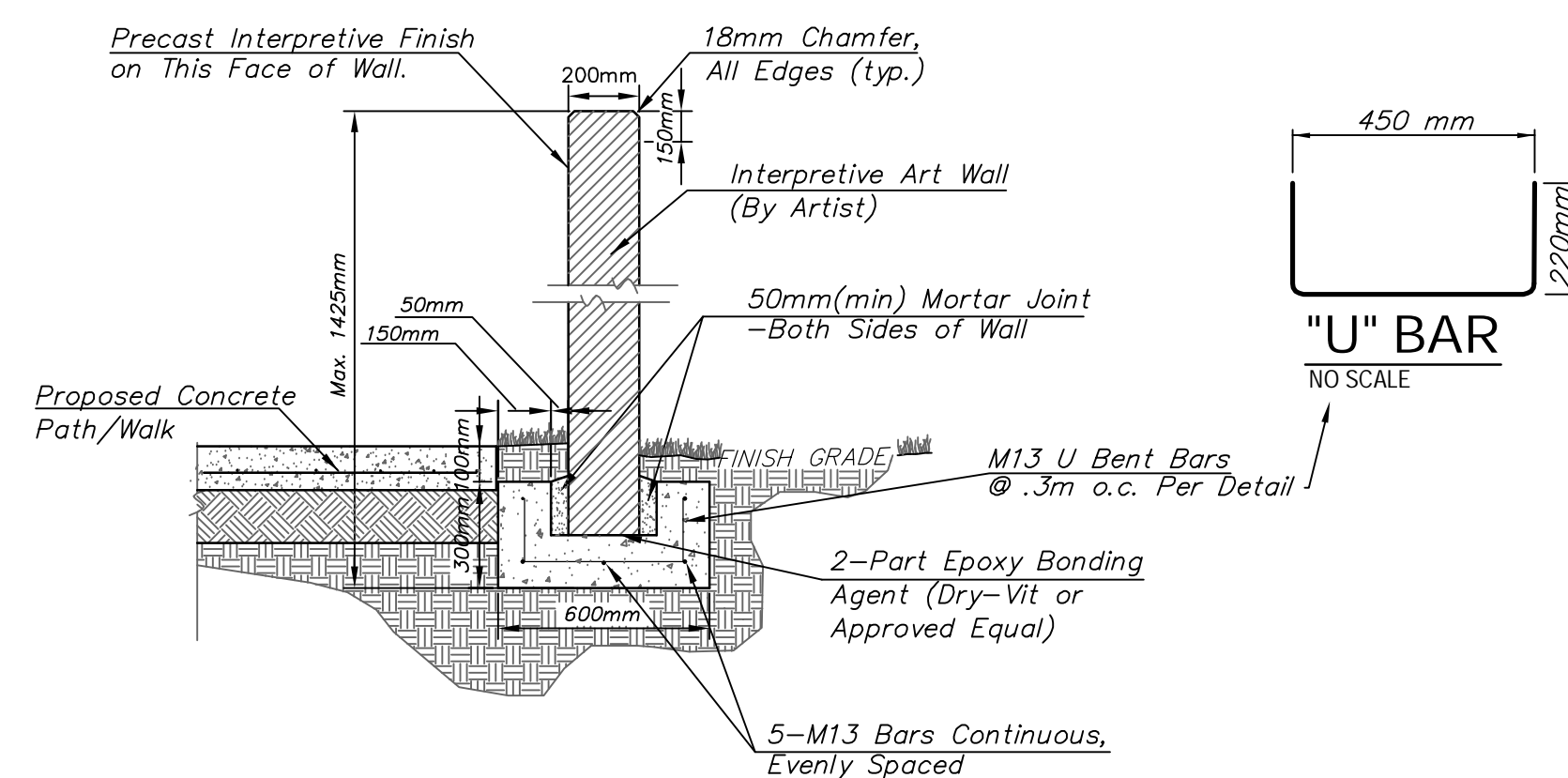
200mm CONCRETE RETAINING WALL

NO SCALE



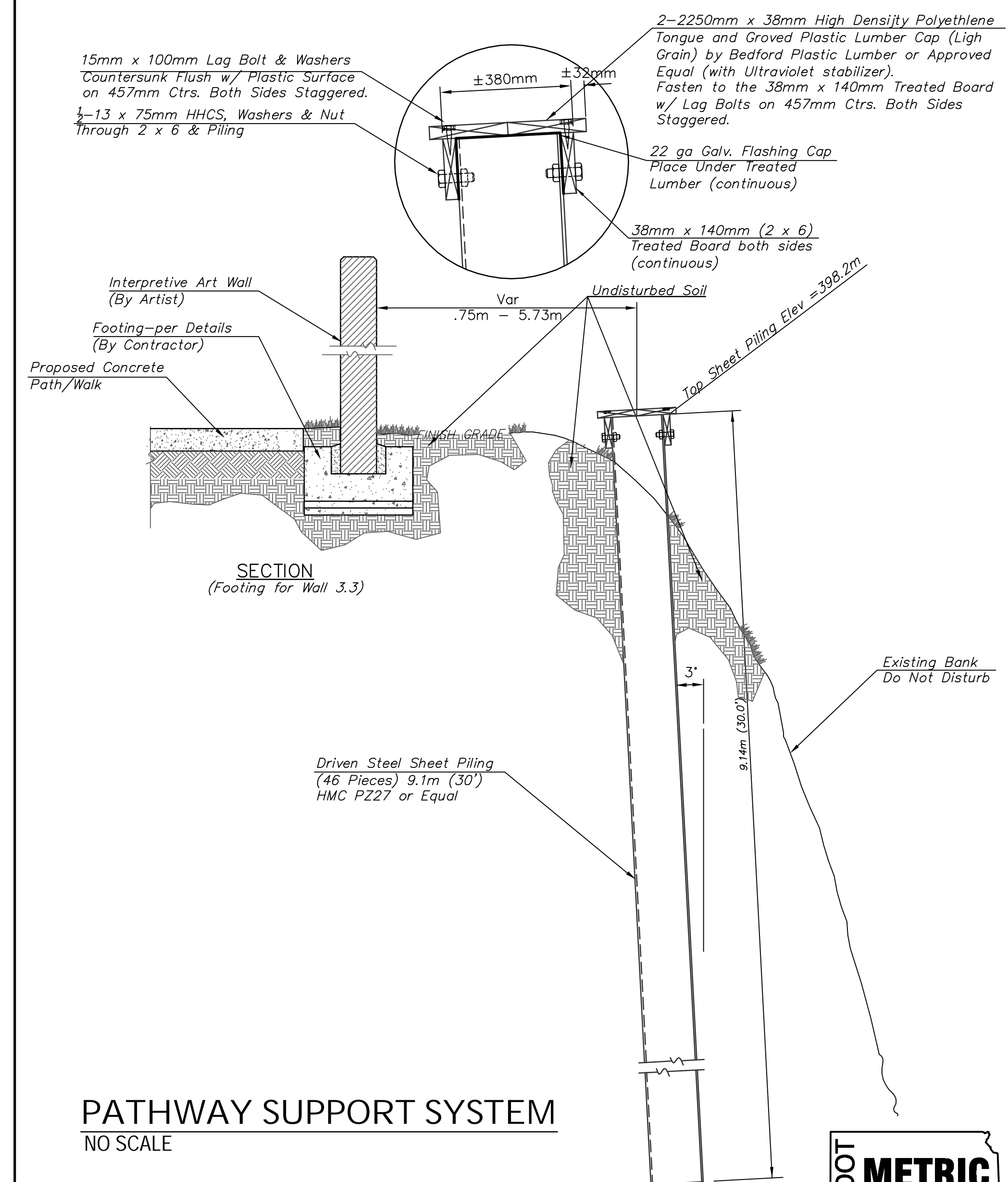
ART WALL ELEVATION- WALL 3.1- 3.4 (INTERPRETIVE)

NO SCALE



TYPICAL INTERPRETIVE WALL & FOOTING SECTION

NO SCALE (Concrete Pavement Adj.)



SECTION
(Footing for Wall 3.3)

PATHWAY SUPPORT SYSTEM

NO SCALE



PROJECT NUMBER		SHEET NAME		ENGINEERING DIRECTORY	
87 TE - 0158 - 01		07_wall1d1s		Arkriver/Nov 06 Revisions	
DESIGN STAFF	DRAWN STAFF	APPROVED	DATE	SCALE	BAUGHMAN NO
			NOV 06	NONE	99 12 E575

CAPITAL IMPROVEMENT PROJECT
ARKANSAS RIVER BIKE PATH ENHANCEMENT
 INTERPRETIVE WALL DETAILS
CENTRAL TO THIRTEENTH ST ALONG MCLEAN BLVD

Baughman Company, P.A.
 315 Ellis St. Wichita, KS 67211 P 316-262-7271 F 316-262-0149
 Baughman ENGINEERING | SURVEYING | PLANNING | LANDSCAPE ARCHITECTURE

SHEET
7
OF
26