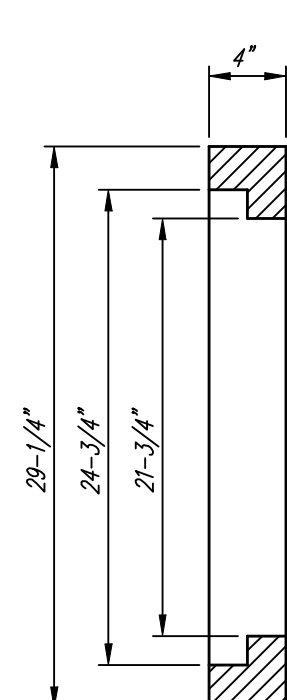
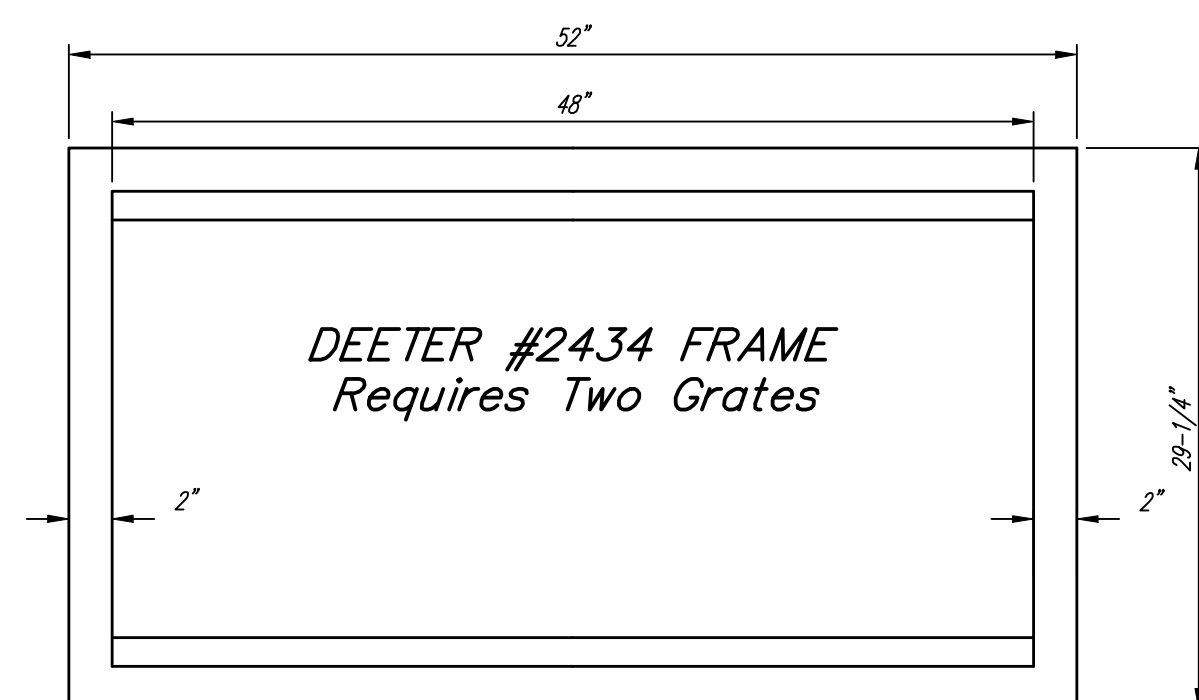


DEETER #2433 GRATE

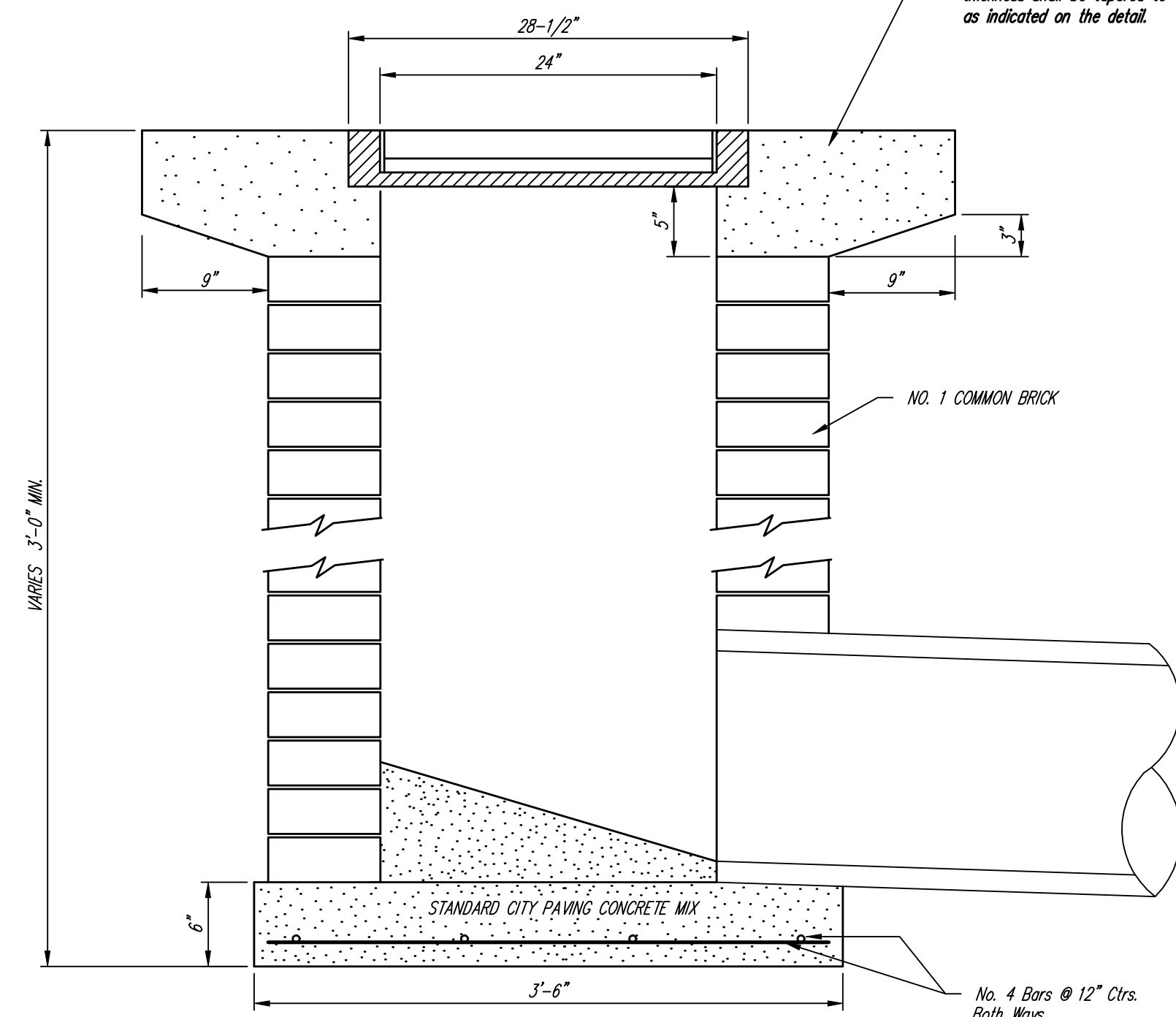
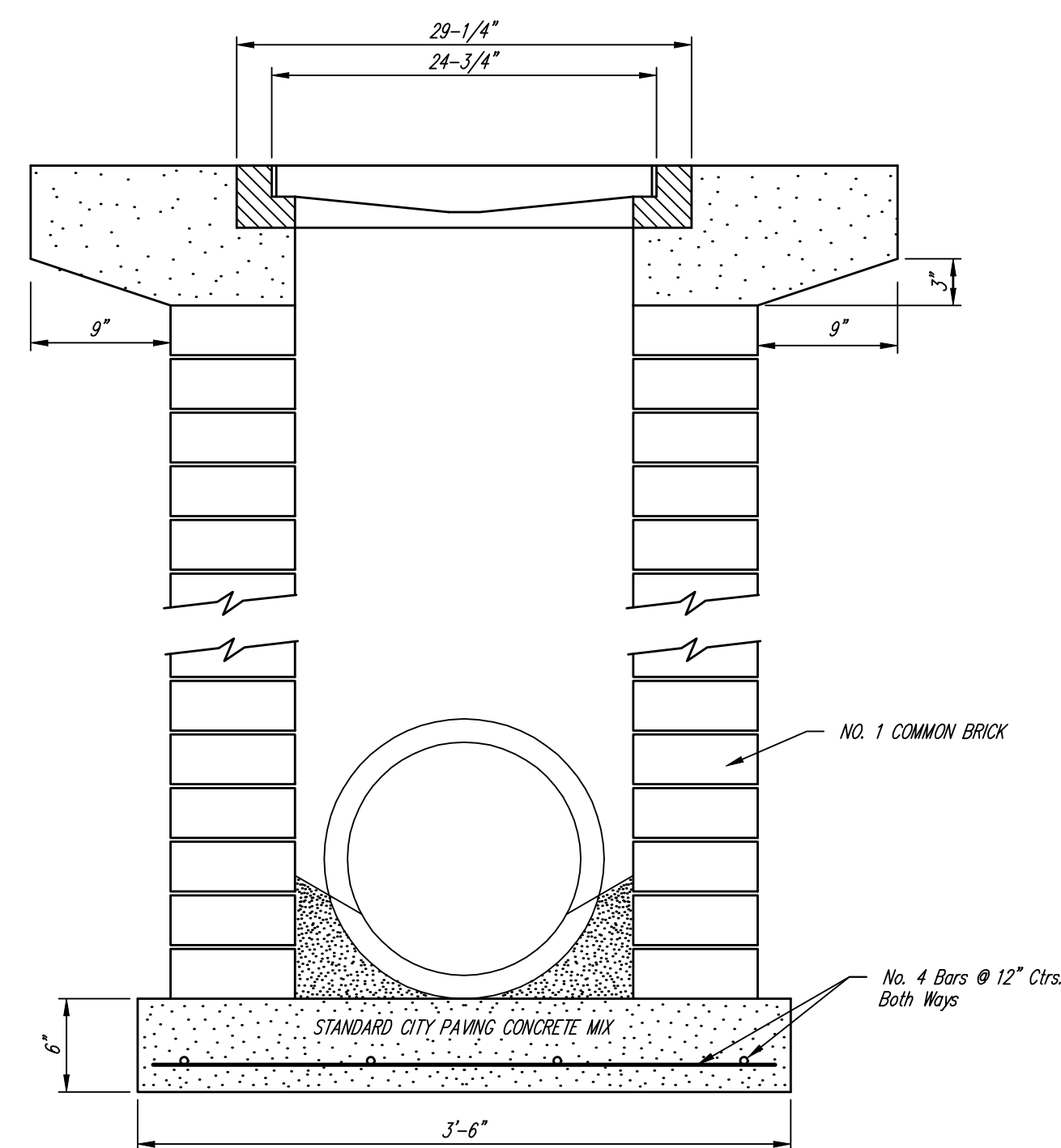
24" x 24" Frame and Grate Detail

NOTE: Grates shall be imprinted on the top surface with "CITY OF WICHITA" using letters at least 1" in height. Other marking methods may be approved by the engineer.

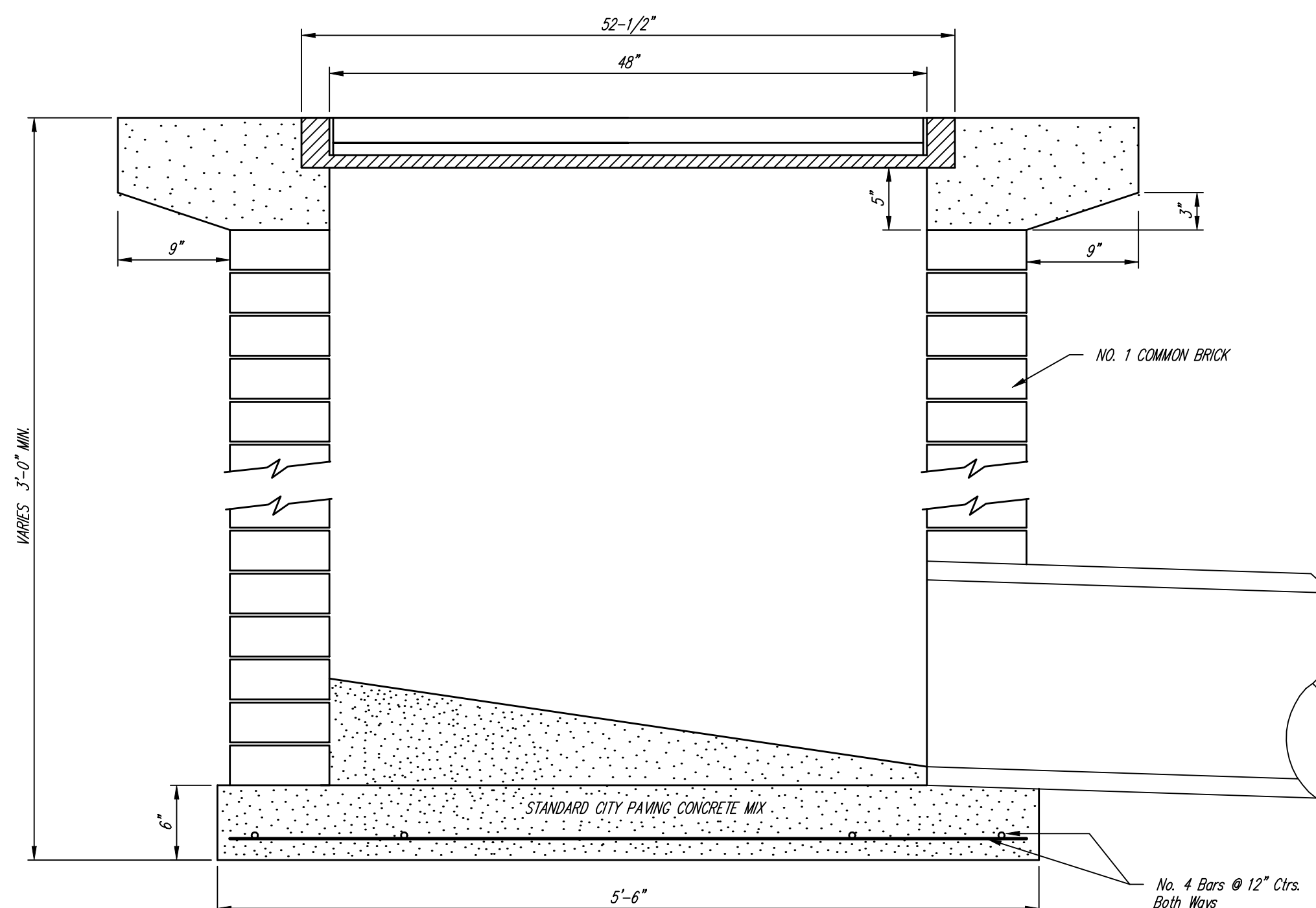


DEETER #2434 FRAME  
Requires Two Grates

Double 24" x 24" Frame Detail



Note: Concrete apron shall be constructed around the inlet when inlet is located in an unproved area. Where the inlet is adjacent to pavement, the pavement thickness shall be tapered to the inlet in 3 inches as indicated on the detail.



	City of Wichita Standard	
	<b>Drop Inlet Detail</b>	
Baughman Company, P.A. 315 Ellis St. Wichita, KS 67211 P 316-262-7271 F 316-262-0149		
ENGINEERING   SURVEYING   PLANNING   LANDSCAPE ARCHITECTURE		
PROJECT NUMBER 472-84397	DESIGN C.O.W.	DRAWN STAFF
REVISIONS:	APPROVED	DATE 8/22/07
	SCALE NONE	SHEET
	<b>27 OF 45</b>	