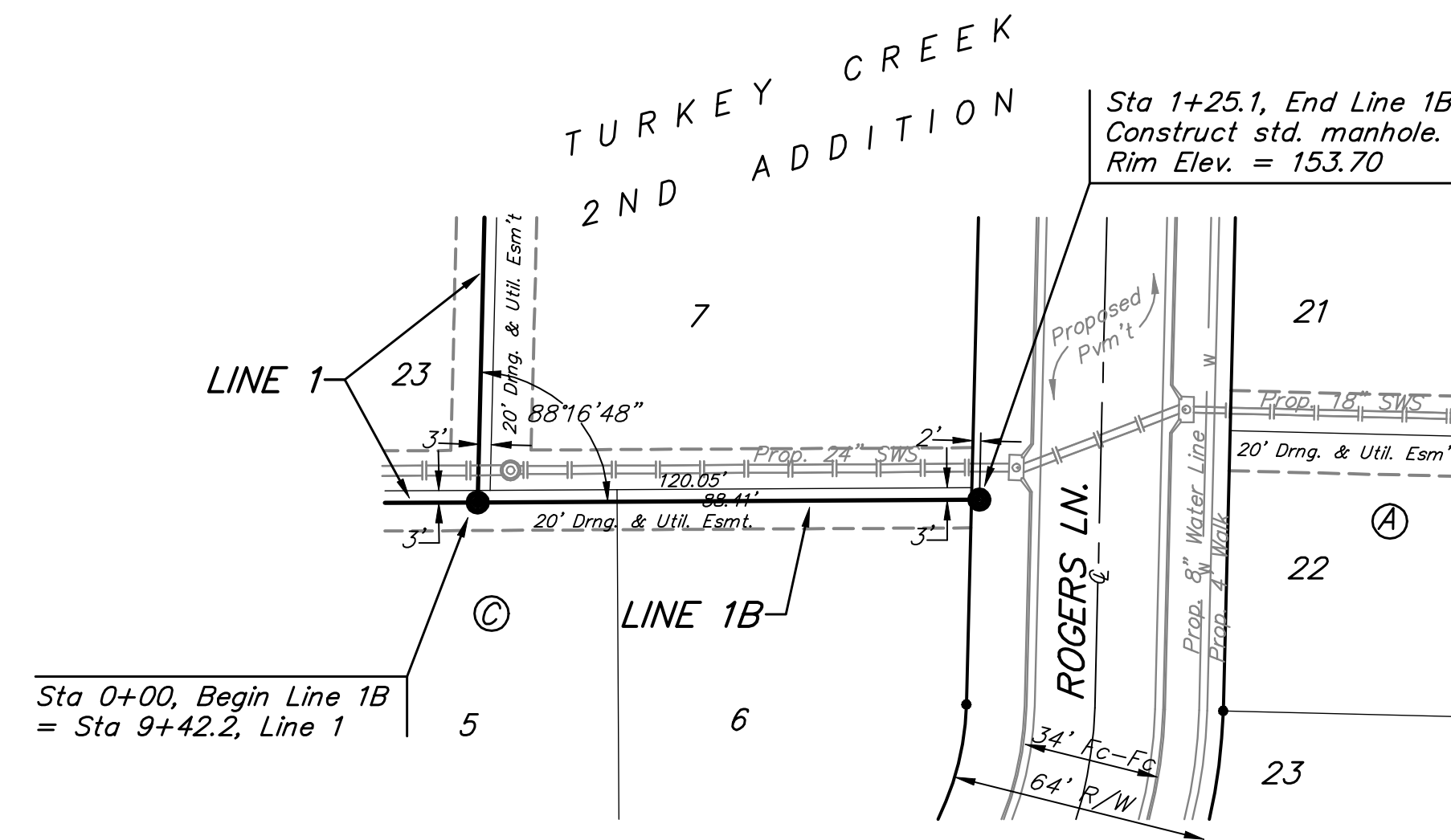

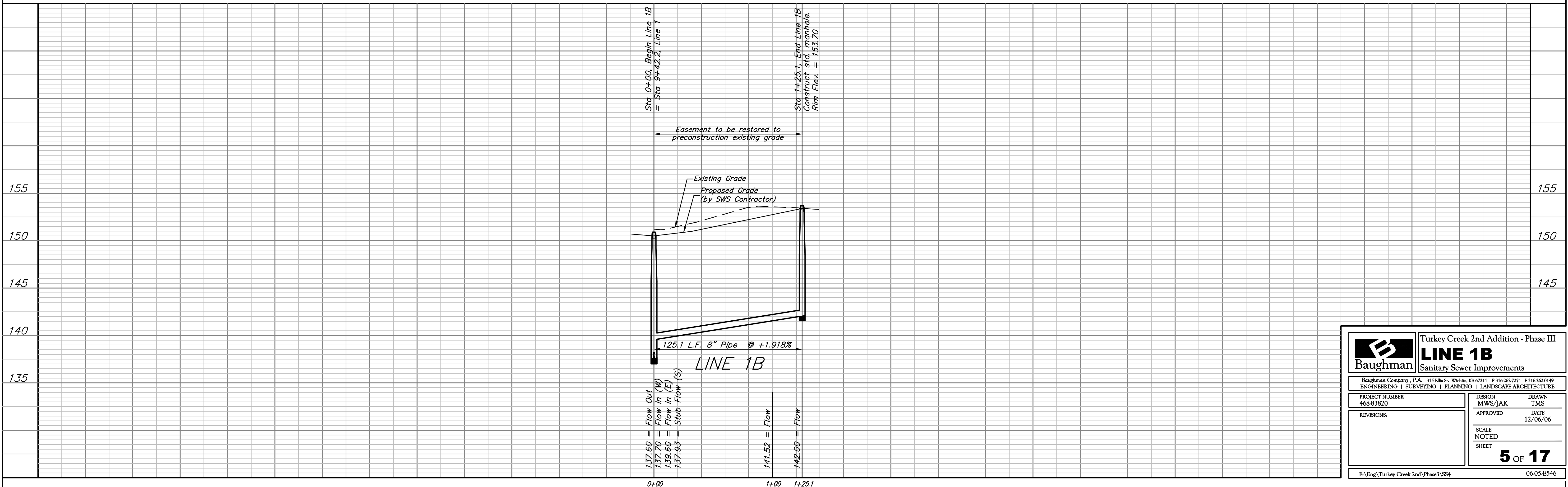



**BENCHMARKS:**  
 BM #1: 119th St. W. & Pawnee  
 City of Wichita Benchmark Disc.  
 NE corner of intersection. 40' E  
 and 30' N of centerline. 59.5' N of  
 power pole @ SE corner of  
 intersection. 156.8' NNE of  
 centerline of E concrete headwall on  
 culvert under 119th St. W.  
 Elev. = 148.68 (City Datum)  
 Elev. = 1336.08 (N.G.V.D.29)

BM #2: C.O.W. disk in curb at south  
 end of east curb return at  
 intersection of Jewell & Jewell Ct.  
 (Lots 48-60, Block E).  
 Elev. = 146.84 (City Datum)



  
 Scale: 1" = 40' Horizontal  
 1" = 5' Vertical  
 • = Iron



		Turkey Creek 2nd Addition - Phase III <b>LINE 1B</b> Sanitary Sewer Improvements	
Baughman Company, P.A. 315 Ellis St. Wichita, KS 67211 P 316-262-7271 F 316-262-0149 ENGINEERING   SURVEYING   PLANNING   LANDSCAPE ARCHITECTURE			
PROJECT NUMBER 468-83820	DESIGN MWS/JAK	DRAWN TMS	DATE 12/06/06
REVISIONS:		SCALE NOTED SHEET	
		<b>5 OF 17</b>	
F:\Eng\Turkey Creek 2nd\Phase3\SS4			
06-05-E546			