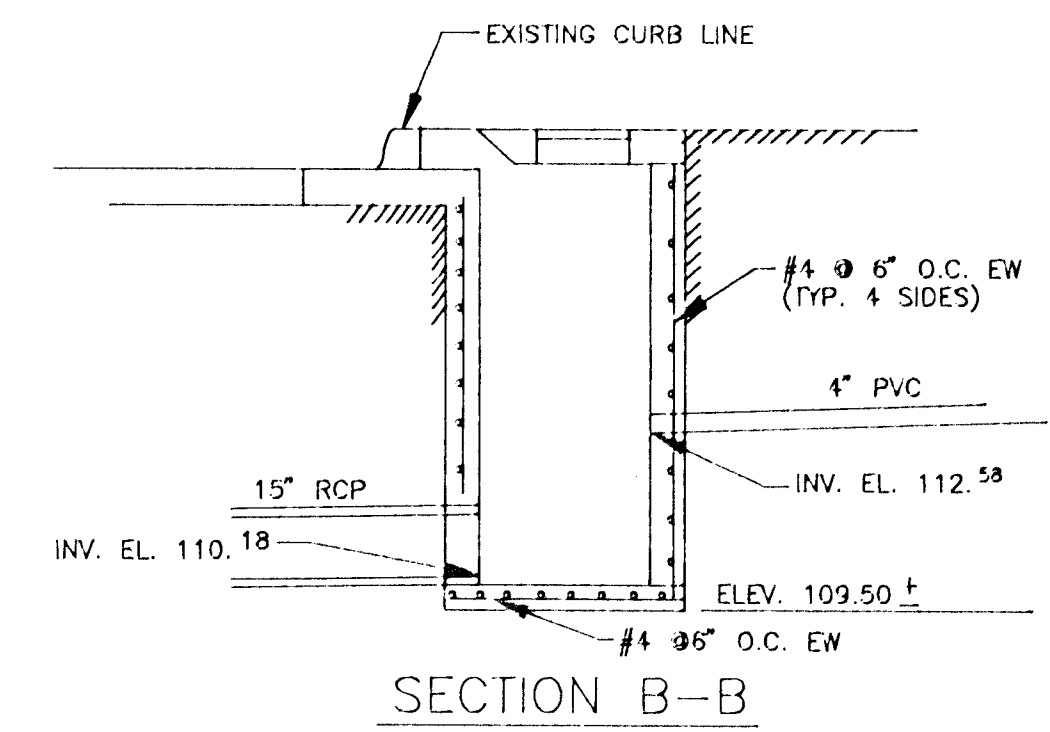
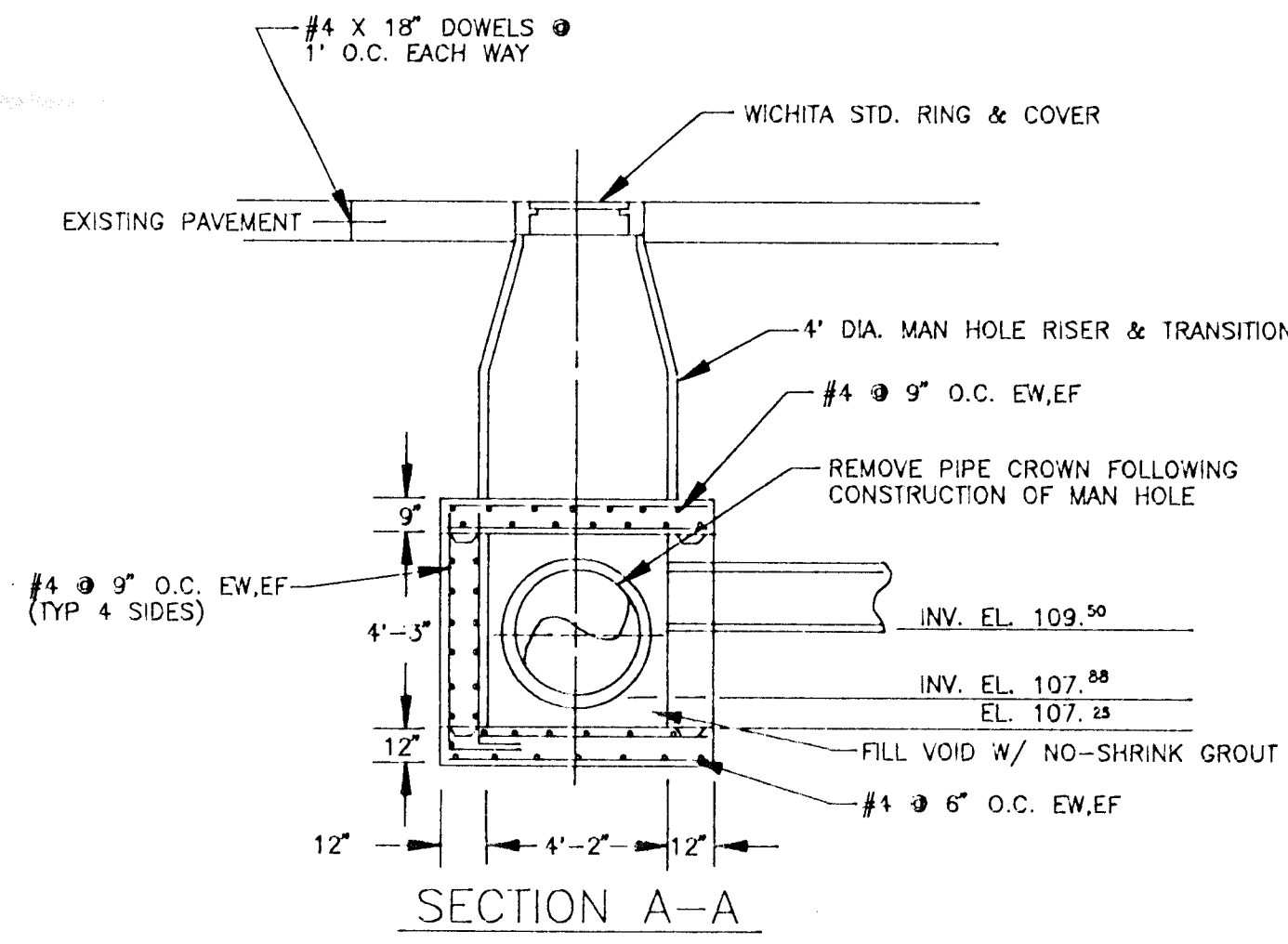
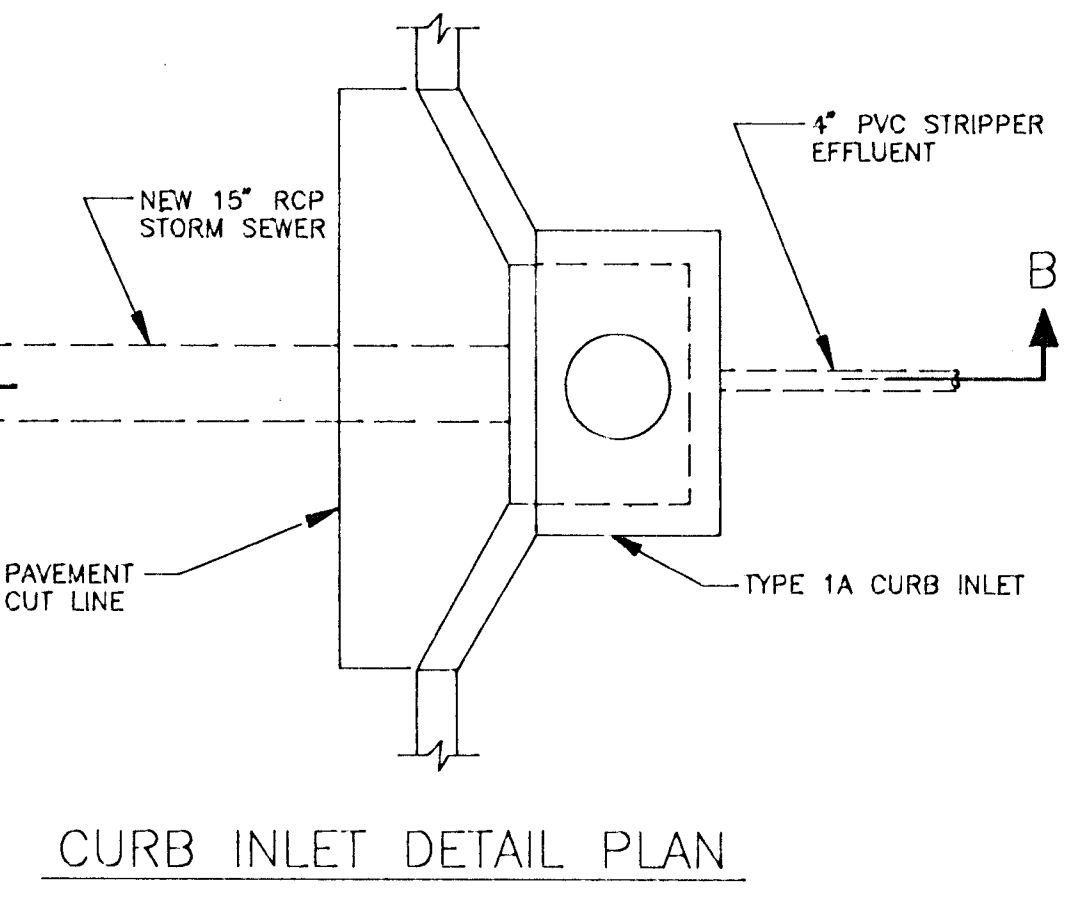
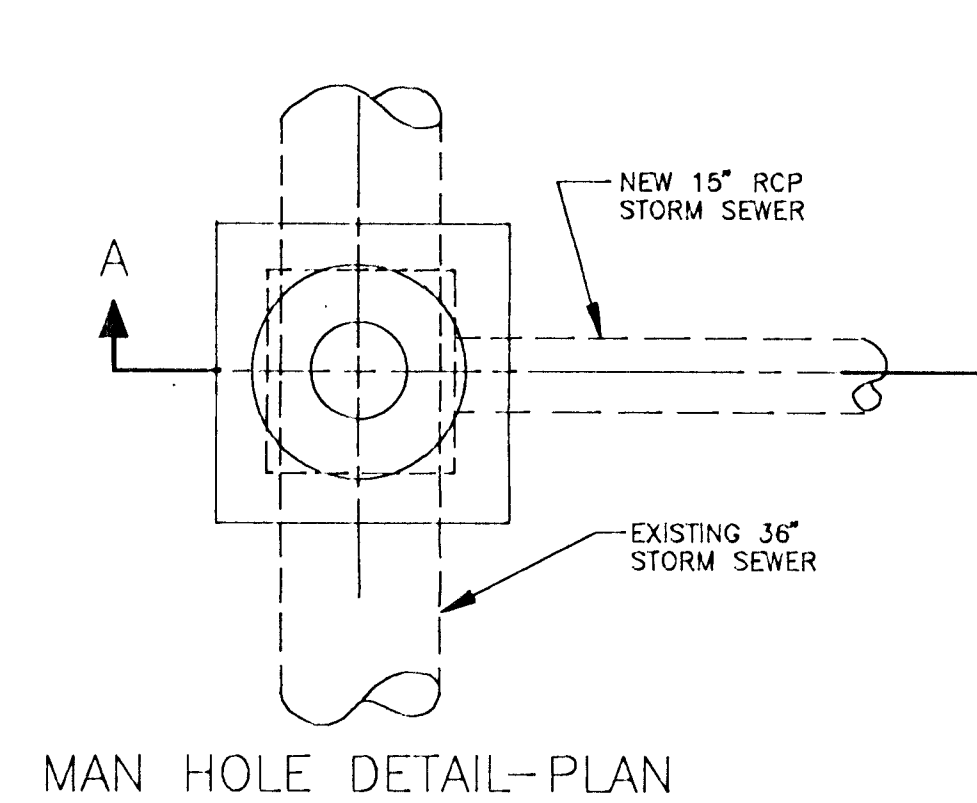
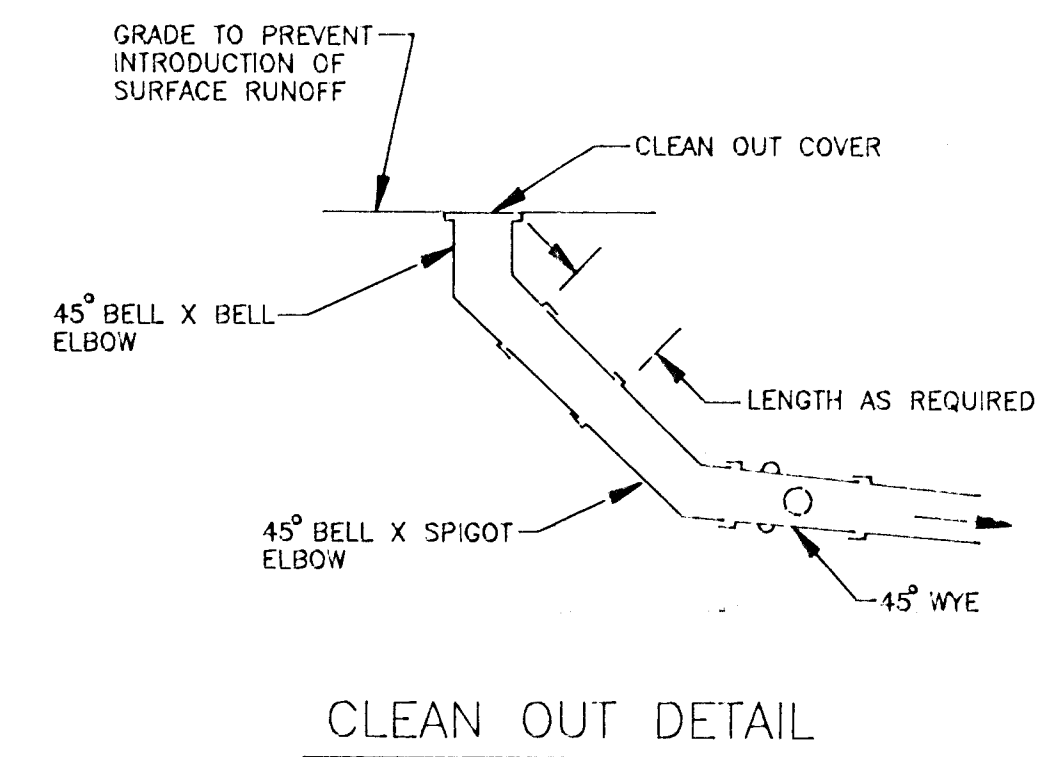
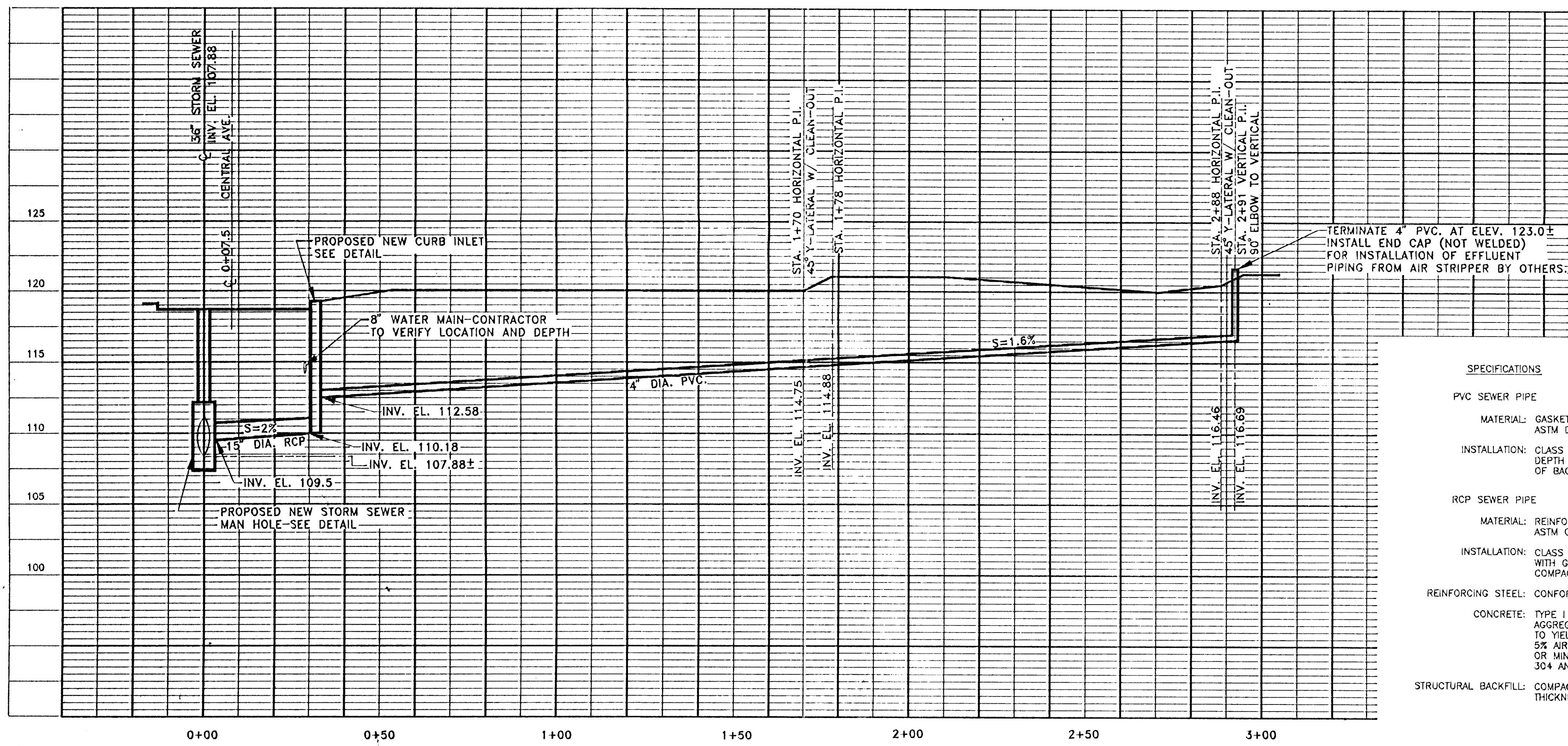


NOTE:
REMOVE EXISTING DRIVEWAY
CUT OUT AND CURBING TO
LIMITS SHOWN AND INSTALL NEW
TYPE 1A CURB INLET AS SHOWN.

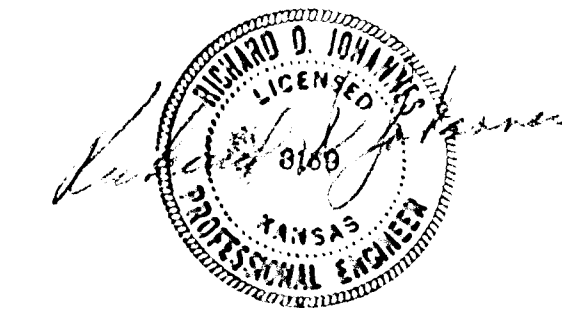


NOTE:
MAN HOLE & DROP INLET SMALL CONFORM
WITH STANDARDS AND REQUIREMENTS SET FOURTH
AND AVAILABLE THRU THE CITY OF WICHITA



NOTE:
SEE PLAN FOR LOCATION
(TWO REQUIRED)

- SPECIFICATIONS**
- PVC SEWER PIPE**
MATERIAL: GASKETED PVC GRAVITY SEWER PIPE CONFORMING TO ASTM D-3034, SDR 35
INSTALLATION: CLASS B TYPE BEDDING, BACKFILL TO 6" DEPTH ABOVE PIPE WITH GRADED SAND. REMAINDER OF BACKFILL WITH COMPACTED SOIL.
 - RCP SEWER PIPE**
MATERIAL: REINFORCED CONCRETE PIPE CONFORMING TO ASTM C 76, WALL A.
INSTALLATION: CLASS B TYPE BEDDING, BACKFILL TO PIPE CENTERLINE WITH GRADED SAND. REMAINDER OF BACKFILL WITH COMPACTED SOIL TO 95% STANDARD PROCTOR.
 - REINFORCING STEEL:** CONFORMING TO ASTM A 615, GRADE 60.
 - CONCRETE:** TYPE I PORTLAND CEMENT CONFORMING TO ASTM C 150. AGGREGATE CONFORMING TO ASTM C 33. CONCRETE MIX DESIGN TO YIELD 4000 psi AT 28 DAYS. AIR ENTRAINED TO ACHIEVE 5% AIR AT TIME OF PLACEMENT. SLUMP 3 INCH PLUS OR MINUS 1 INCH. PLACEMENT IN ACCORDANCE WITH ACI 304 AND PROPERLY VIBRATED.
 - STRUCTURAL BACKFILL:** COMPACTED IN LIFTS NOT TO EXCEED 8" COMPACTED THICKNESS TO 95% OF STANDARD PROCTOR.



GROUNDWATER TECHNOLOGY, INC.		338 West 2nd Street Wichita, KS. 67201	
PROJECT NO. 422-450-3029	DATE 5/23/89	SHEET OF	
DRAWN BY RHW	TITLE: FINA WEST CENTRAL EFFLUENT SEWER PLAN & PROFILE		
CHECKED	APPROVED		
CLIENT: FINA	LOCATION: WEST CENTRAL WICHITA, KS.		
FILE NO. 9029-PP			