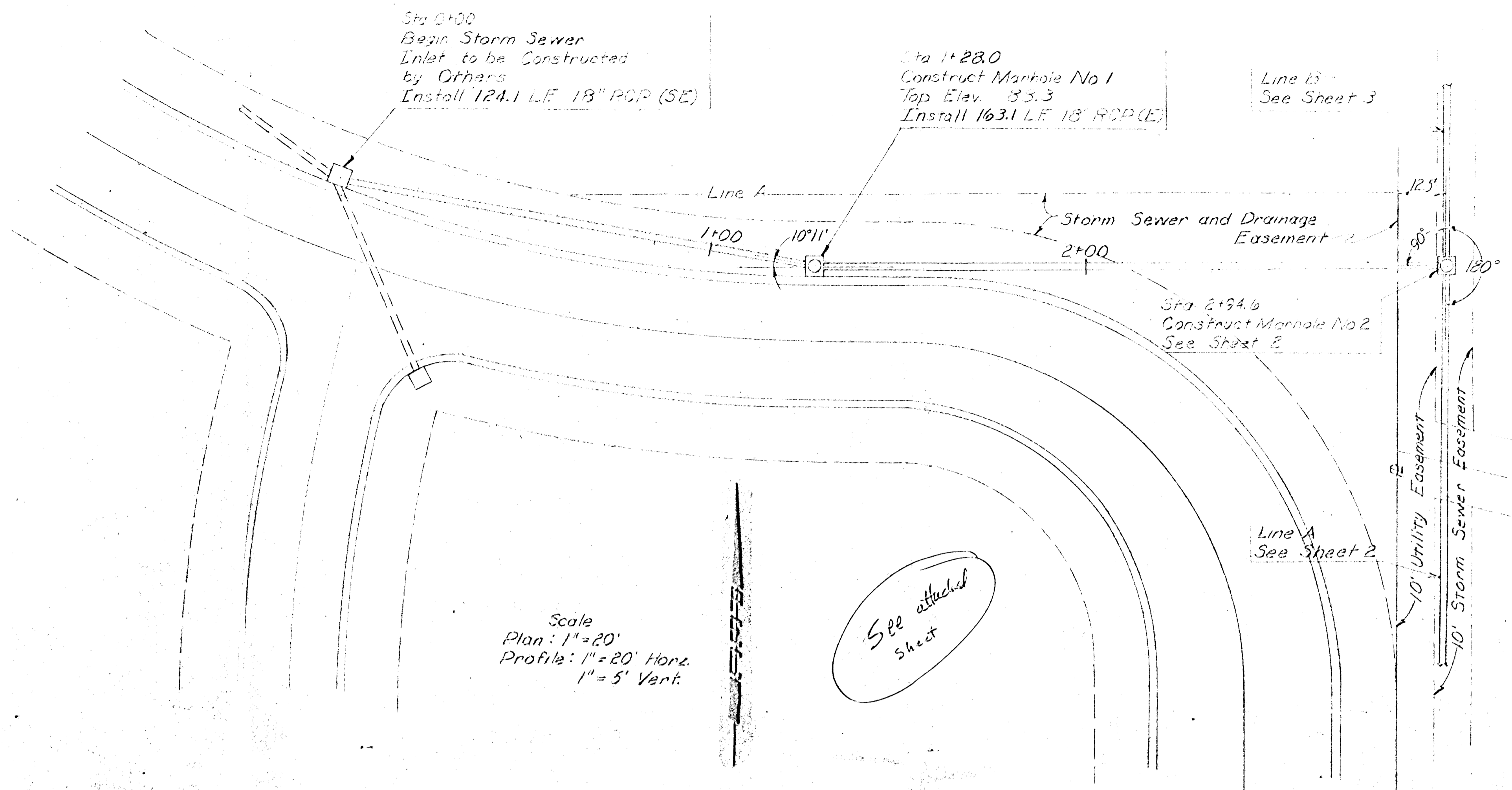


- LEGEND**
- 14 - Fire Hydrant
 - 14 - Building #'s
 - 14 - Unit #'s

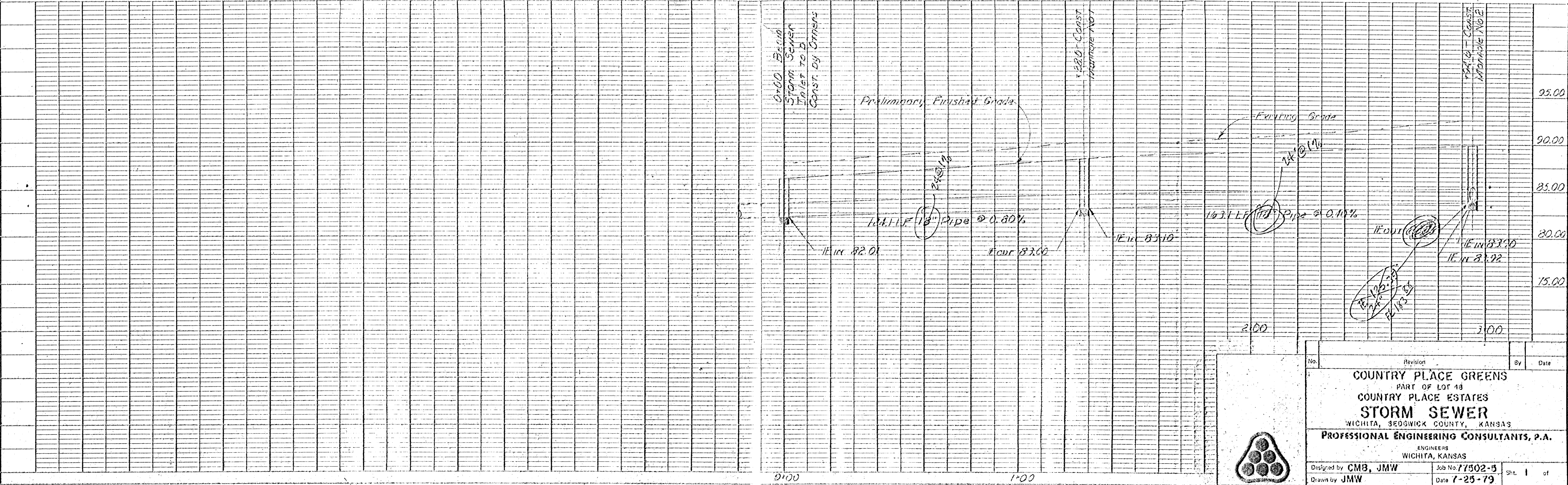
COUNTRY PLACE GREENS
 PART OF LOT 48
 COUNTRY PLACE ESTATES
 WICHITA, SEDGWICK COUNTY, KANSAS
PROFESSIONAL ENGINEERING CONSULTANTS, P.A.
 ENGINEERS
 WICHITA, KANSAS

Designed by	Job No. 77502	Sht. 1 of 1
Drawn by CAM	Date 6-4-79	

PLAN
 SURVEYED BY DATE
 NOTE BOOK ALIGNMENT CHECKED
 NO. RT. OF WAY CHECKED



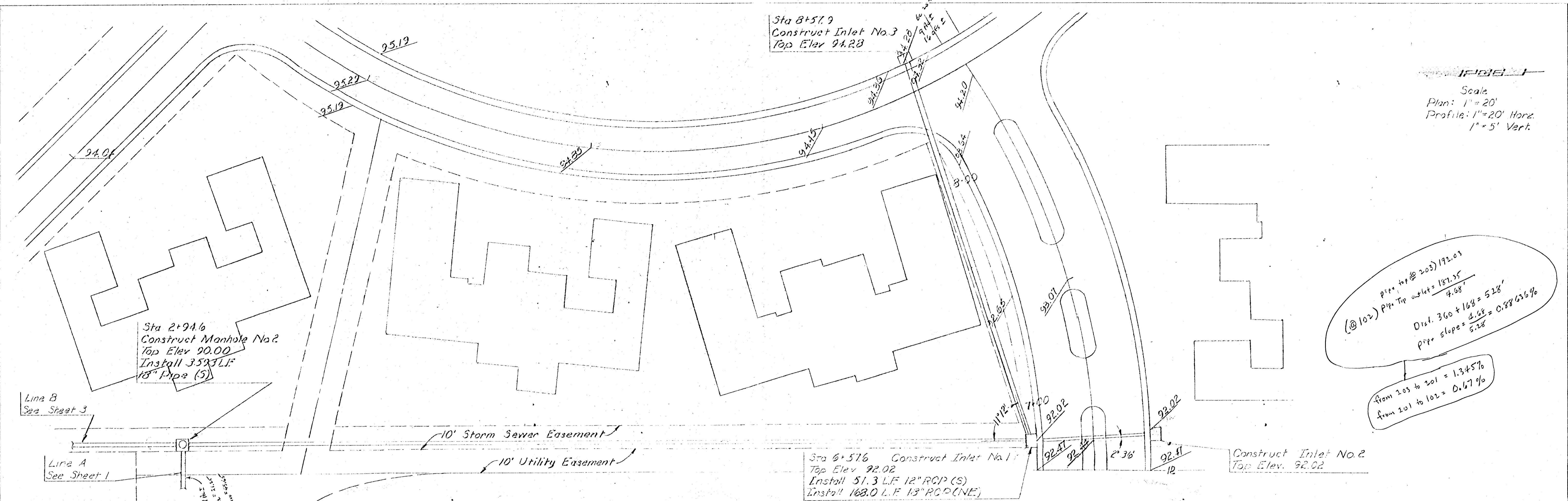
PROFILE
 SURVEYED BY DATE
 NOTE BOOK GRADES CHECKED
 NO. STRUCTURE INFLATING CHECKED



No.	Revision	By	Date
COUNTRY PLACE GREENS PART OF LOT 18 COUNTRY PLACE ESTATES STORM SEWER WICHITA, SEDGWICK COUNTY, KANSAS PROFESSIONAL ENGINEERING CONSULTANTS, P.A. ENGINEERS WICHITA, KANSAS			
Designed by	CMB, JMW	Job No.	77502-5
Drawn by	JMW	Date	7-25-79
		Sht.	1 of

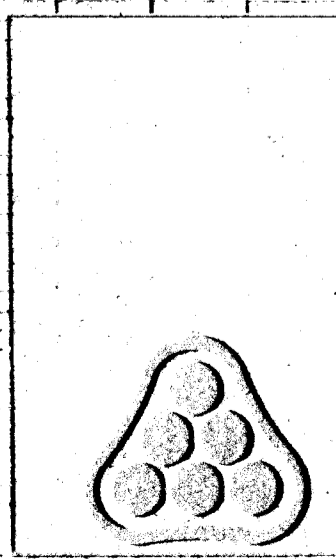
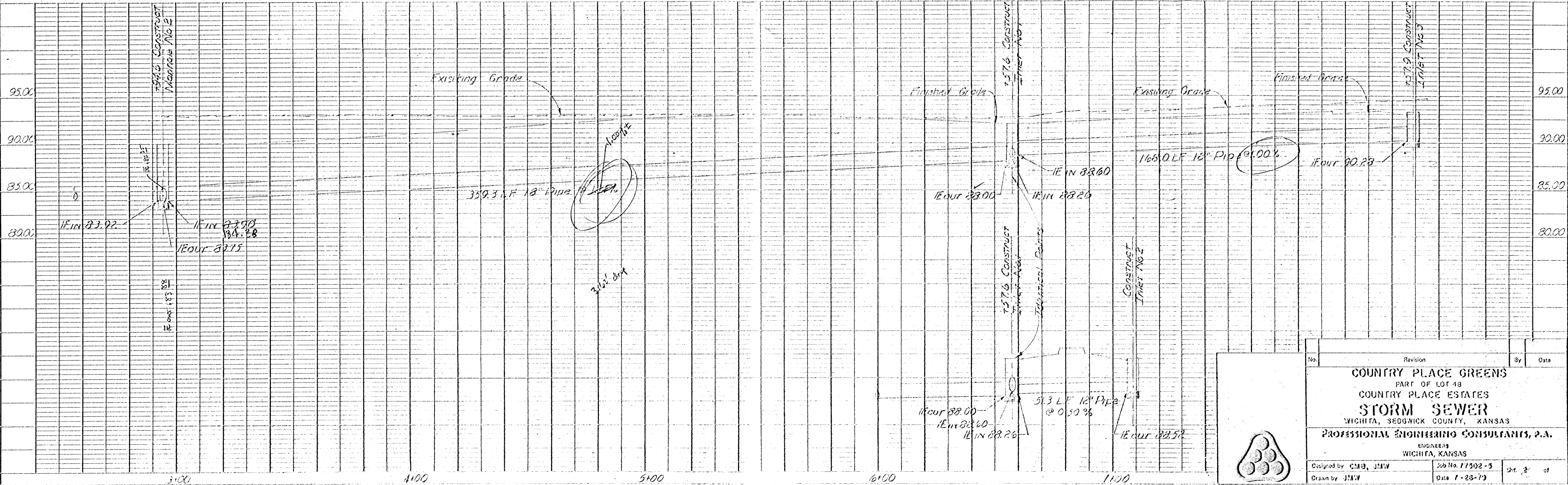
DATE: _____ BY: _____
 SURVEYED: _____
 PLAN: _____
 NOTE BOOK: _____
 NO. OF WAY CHECKED: _____

DATE: _____ BY: _____
 SURVEYED: _____
 PROFILE: _____
 NOTE BOOK: _____
 NO. OF NOTED: _____
 STRUCTURE NOTATIONS CHECKED: _____

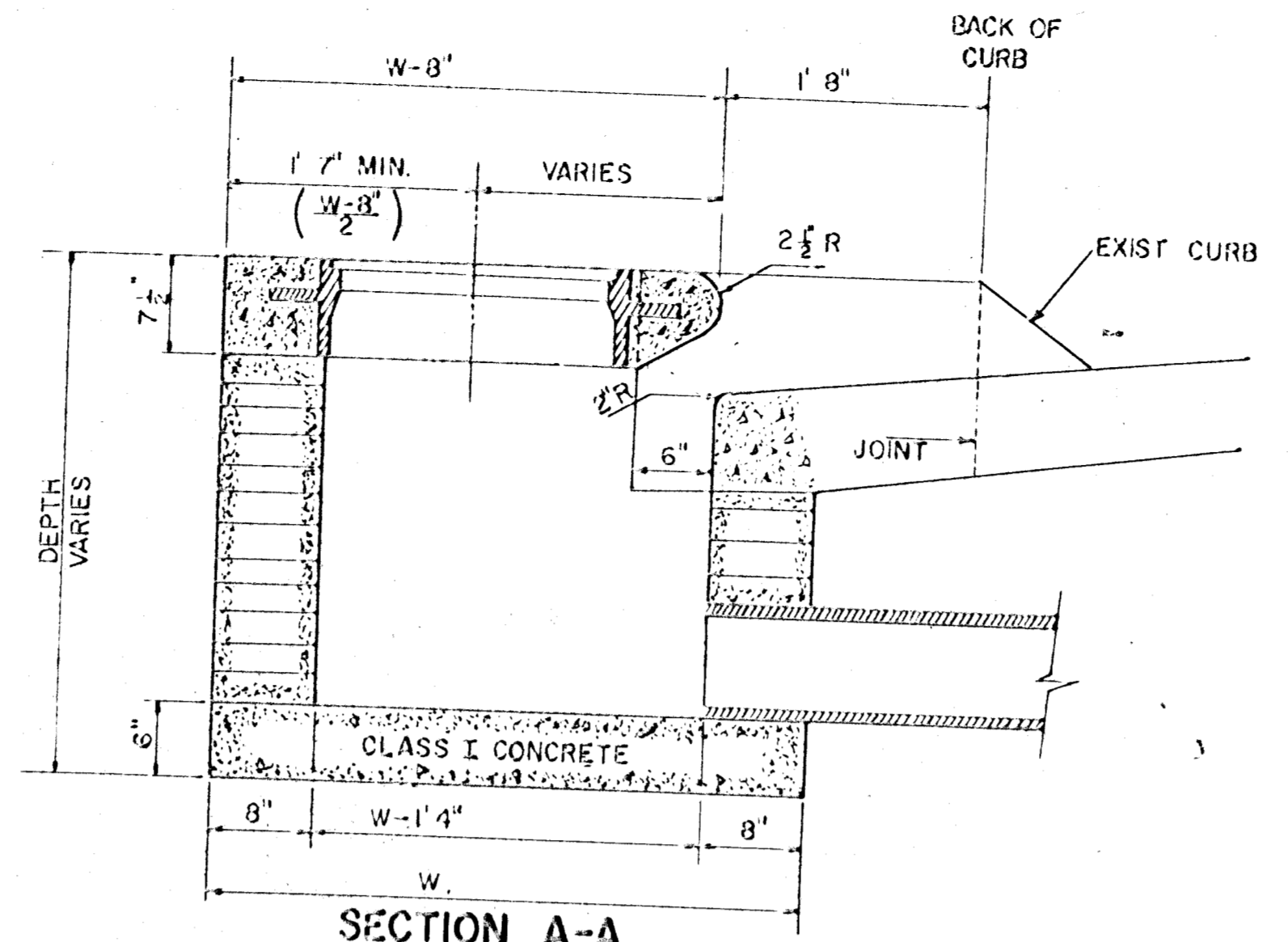
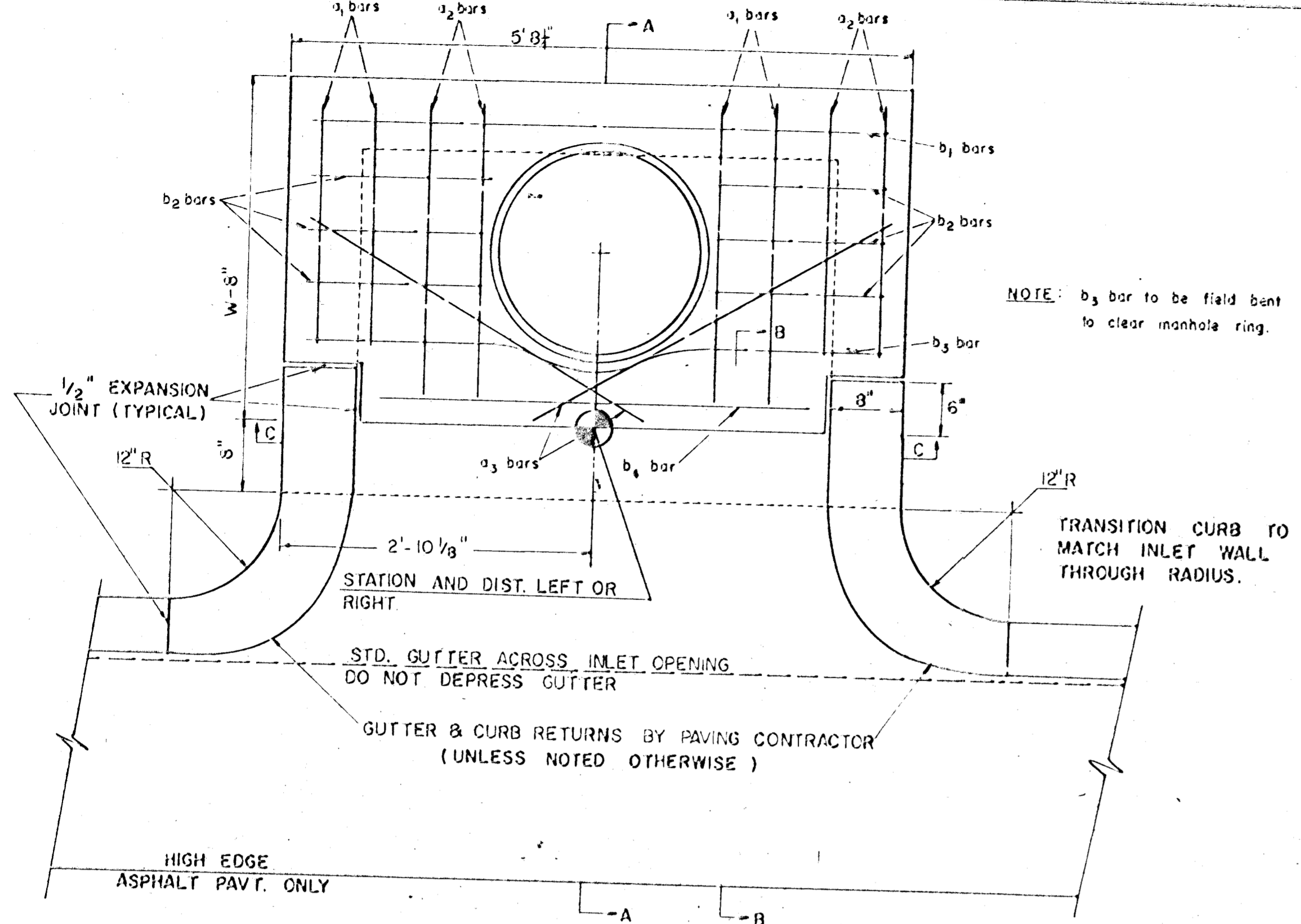


Scale
 Plan: 1" = 20'
 Profile: 1" = 20' Horiz.
 1" = 5' Vert.

(@ 102) Pipe @ 203) 192.01
 Pipe Top outlet = 181.35
 4.68'
 Dist. 360 + 168 = 528'
 Pipe slope = $\frac{4.68}{528} = 0.88636\%$
 from 203 to 201 = 1.345%
 from 201 to 102 = 0.67%

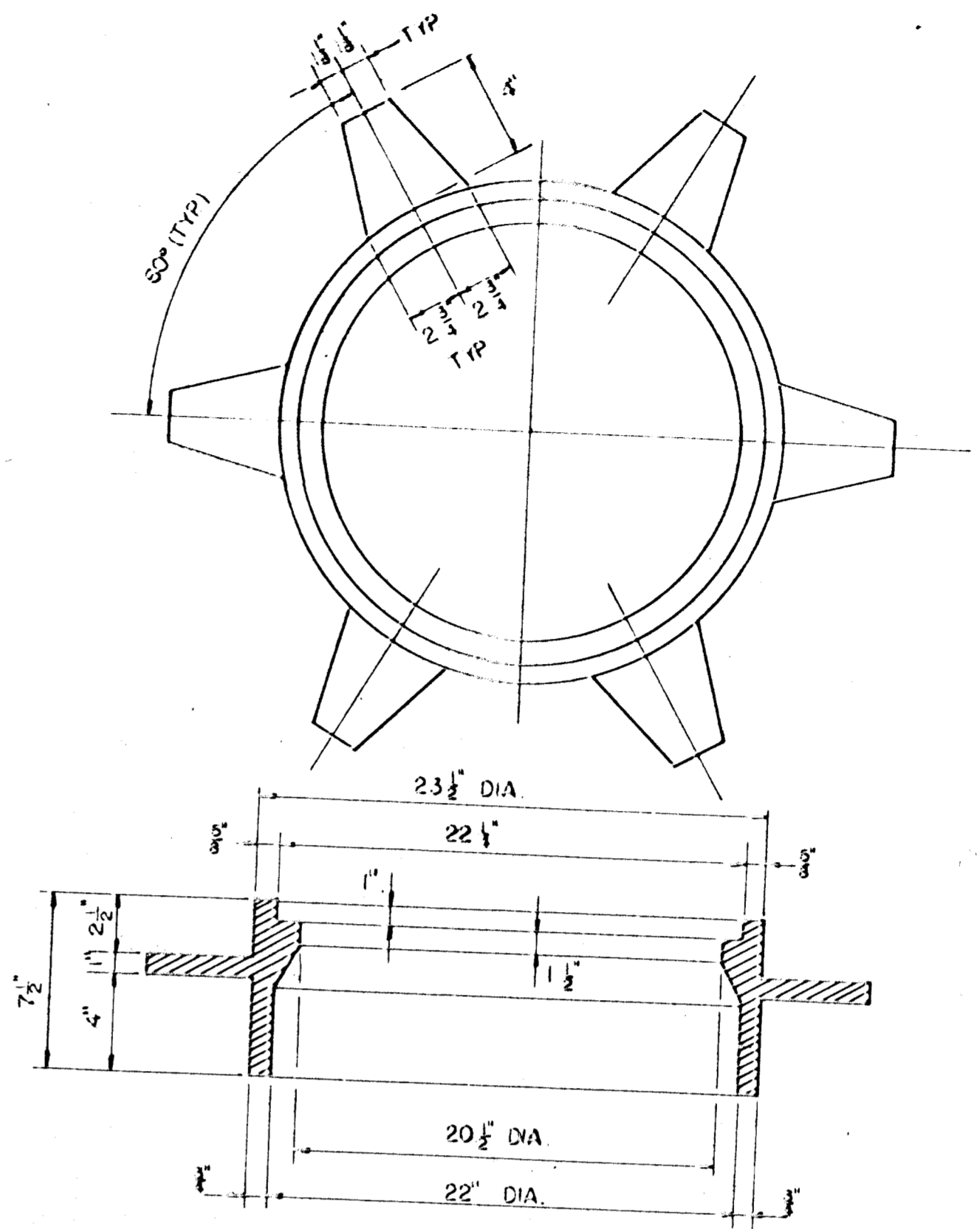


No.	Revision	By	Date
COUNTRY PLACE GREENS PART OF LOT 18 COUNTRY PLACE ESTATES STORM SEWER WICHITA, SEDGWICK COUNTY, KANSAS PROFESSIONAL ENGINEERING CONSULTANTS, P.A. ENGINEERS WICHITA, KANSAS			
Designed by	CMB, JMW	Sub No.	11502-5
Drawn by	JMW	Date	1-28-79
		Sheet	2 of



STANDARD CURB INLET PRECAST TOPS

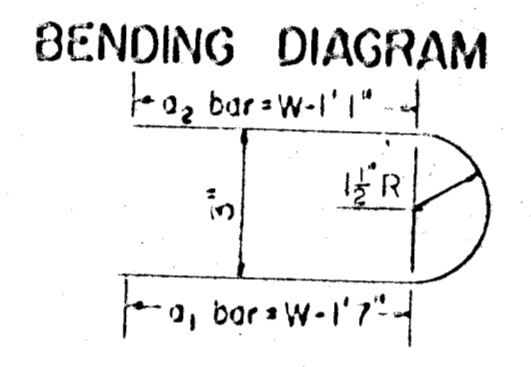
W	PRE-CAST TOP SIZE	PIPE SIZE	CU. YD. CONC.
3'0"	3'2" x 5'8" x 7 1/2"	18" & SMALLER	0.42



STEEL SCHEDULE

BAR NUMBER	a ₁		a ₂		a ₃					b ₁	b ₂	b ₃	WT. Lbs.	
	1	2	1	2	3	4	5	6	7					
SIZE	#4	#4	#4	#4	#4	#4	#4	#4	#4	#4	#4	#4		
LENGTH	4'9"	4'9"	5'9"	5'9"	5'7"	5'5"	—	—	—	—	1'7"	5'6"	4'0"	53
	4'9"	6'9"	7'9"	4'7"	—	5'5"	—	—	—	—	1'7"	5'6"	4'0"	72
	8'9"	9'9"	5'7"	—	—	5'5"	—	—	—	—	1'7"	5'6"	4'0"	91
	10'9"	11'9"	6'7"	—	—	5'5"	—	—	—	—	1'7"	5'6"	4'0"	110

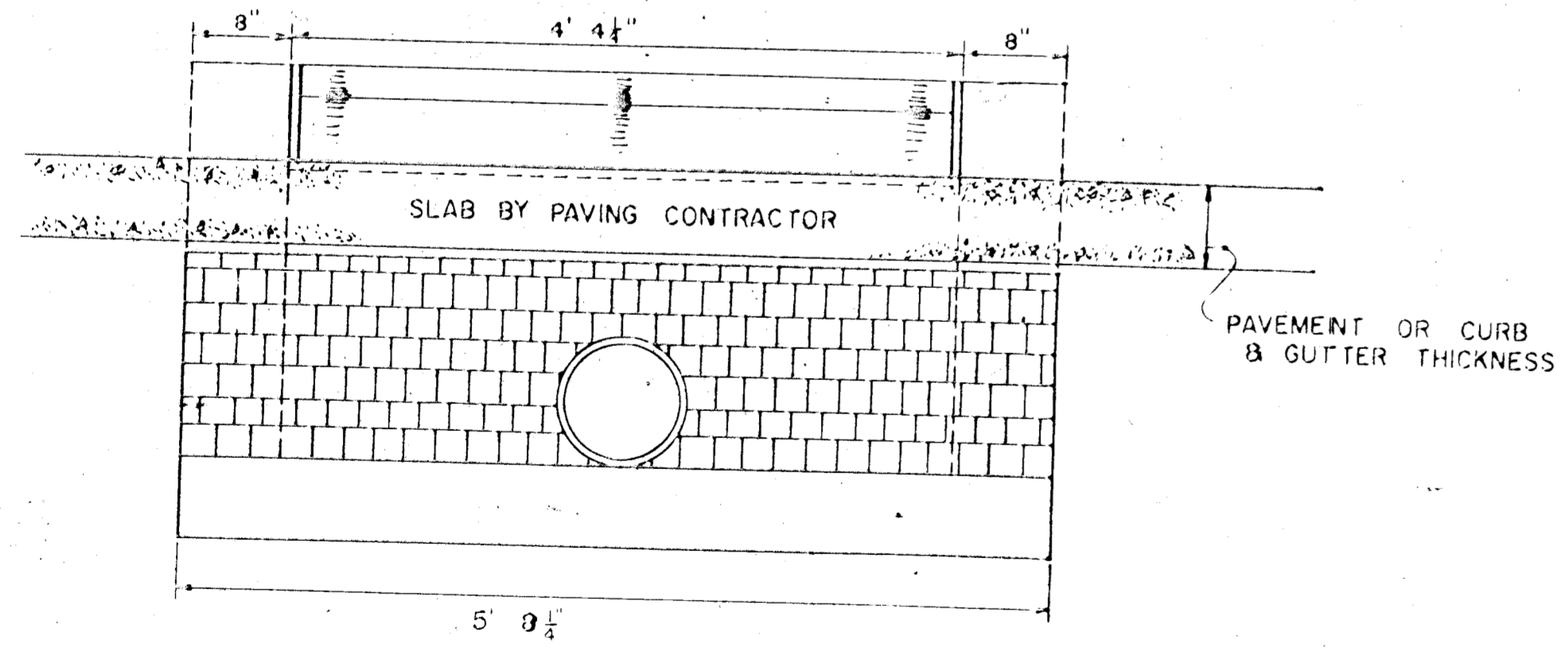
*NOTE: a₃ BARS TO BE PLACED, APPROX. 2" BELOW TOP OF INLET COVER.



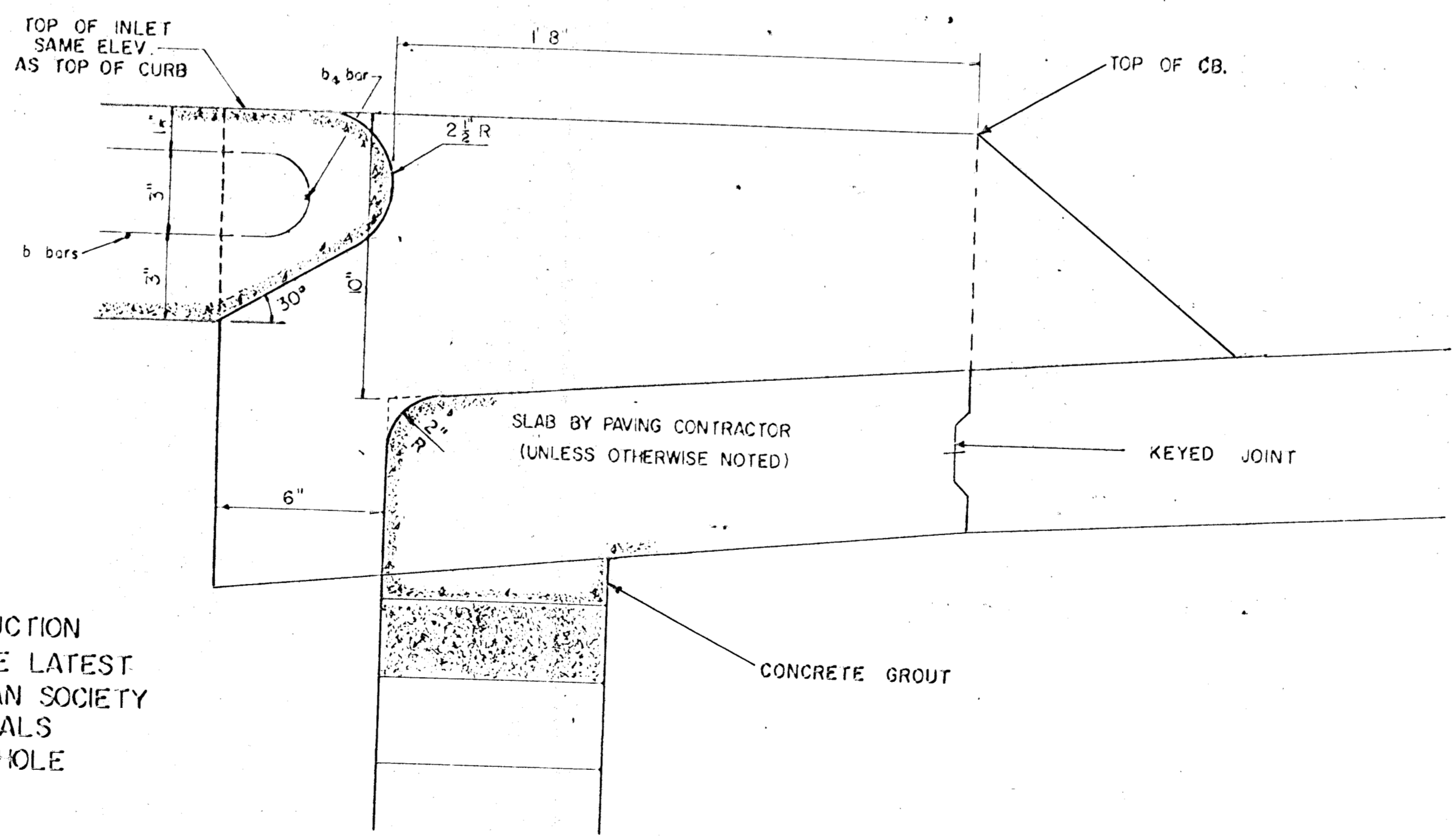
W = BASIS OF PAYMENT FOR INLETS (EACH INLET DEPTH VARIES)

*GROSS VOLUME VARIES

NOTE: CONCRETE TOPS TO BE INSTALLED ON THIN MORTAR CUSHION TO INSURE FULL SUPPORT ALONG BRICK WALLS. CONCRETE TOPS MAY BE CAST IN PLACE OR PRECAST. CONCRETE FOR INLET TOPS AND FLOORS SHALL BE CLASS I CONCRETE



BRICK FOR INLET CONSTRUCTION SHALL CONFORM WITH THE LATEST REVISION OF THE AMERICAN SOCIETY FOR TESTING AND MATERIALS DESIGNATION C32 FOR MANHOLE BRICK GRADE MS.



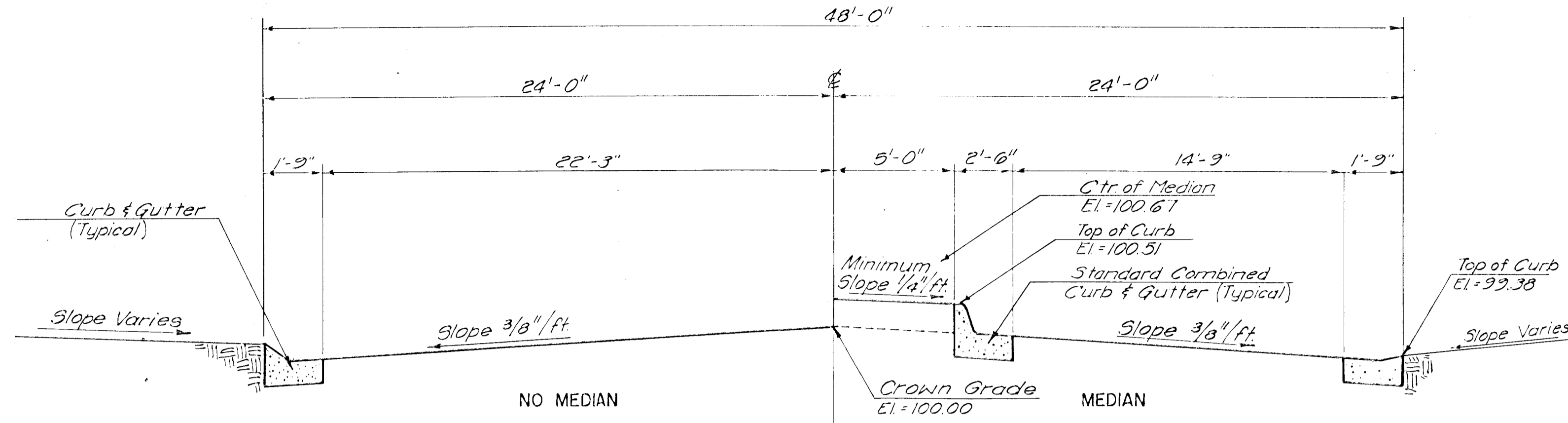
STD. CITY OF WICHITA TYPE IA CURB INLET

COUNTRY PLACE GREENS
TYPE IA CURB INLET DETAIL
PART OF LOT 48
COUNTRY PLACE ESTATES
WICHITA, SEDGWICK COUNTY, KANSAS
PROFESSIONAL ENGINEERING CONSULTANTS, P.A.
ENGINEERS
WICHITA, KANSAS

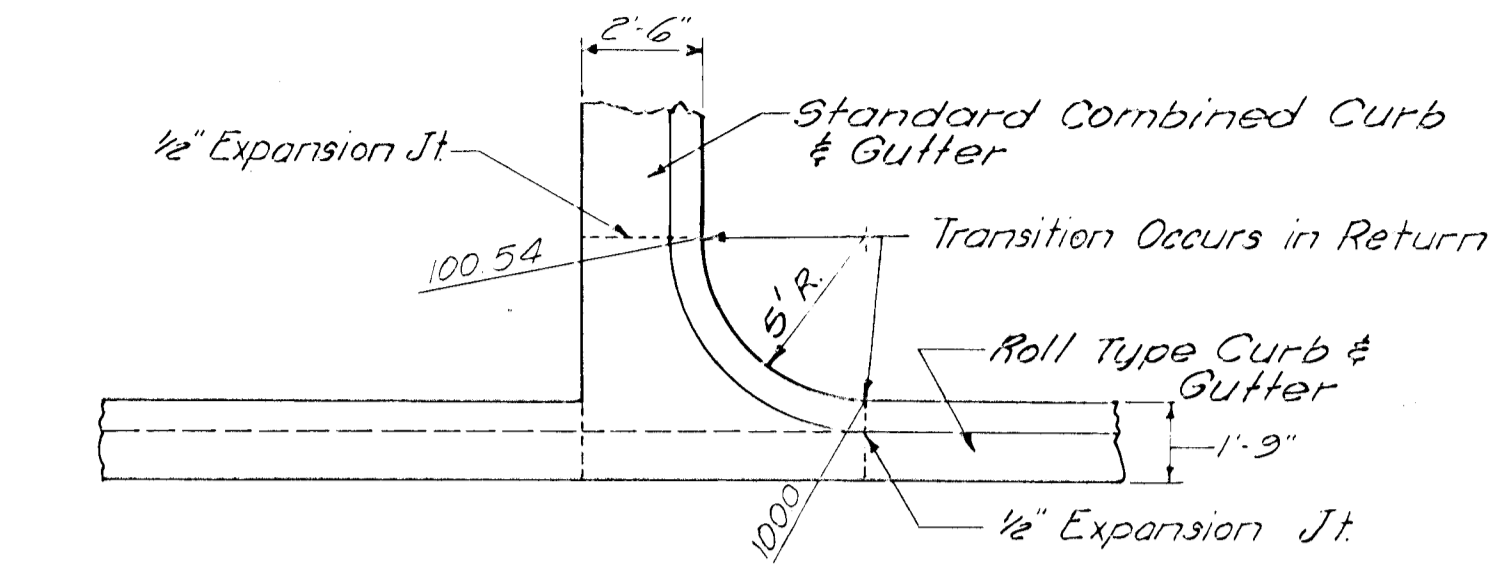
Designed by _____ Job No. 77502-3
Drawn by _____ Date 6-12-79

Revision _____ By _____ Date _____

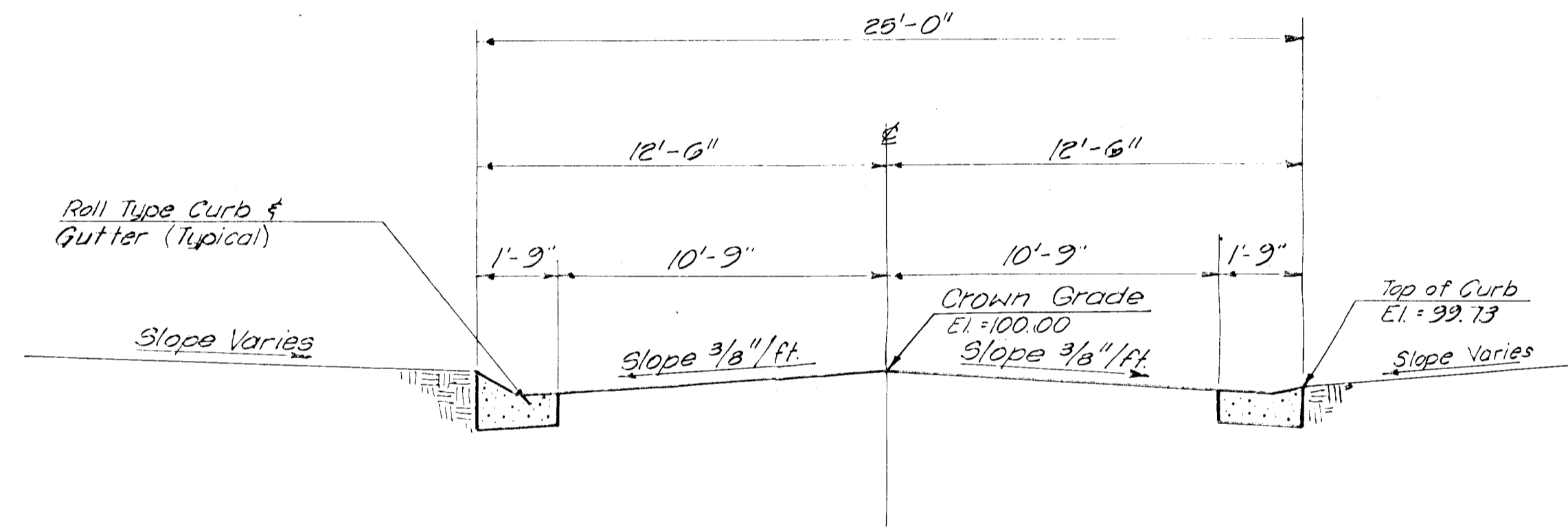
Sh. 6 of 77



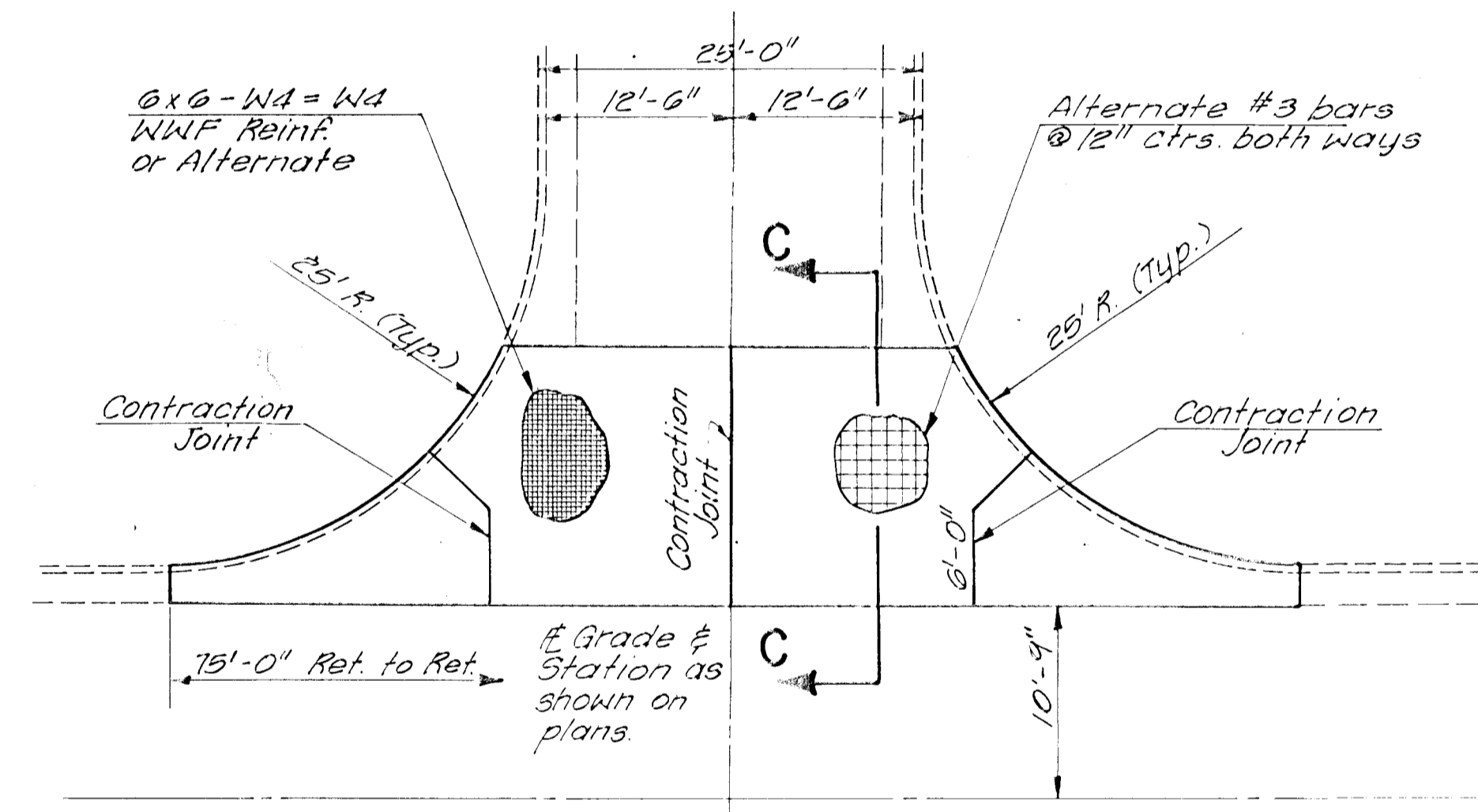
TYPICAL PAVEMENT SECTION W/MEDIAN



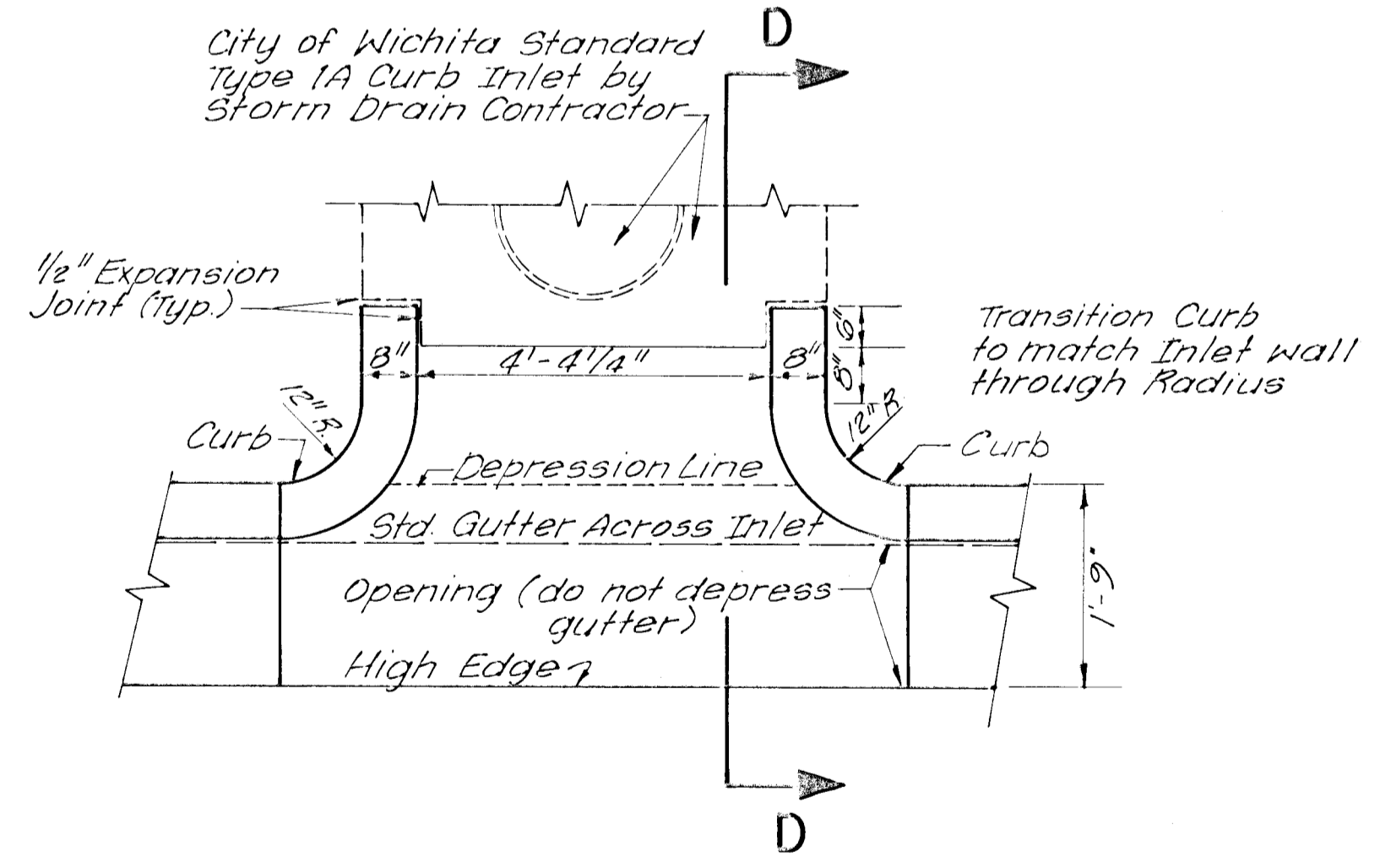
CURB & GUTTER TRANSITION DETAIL



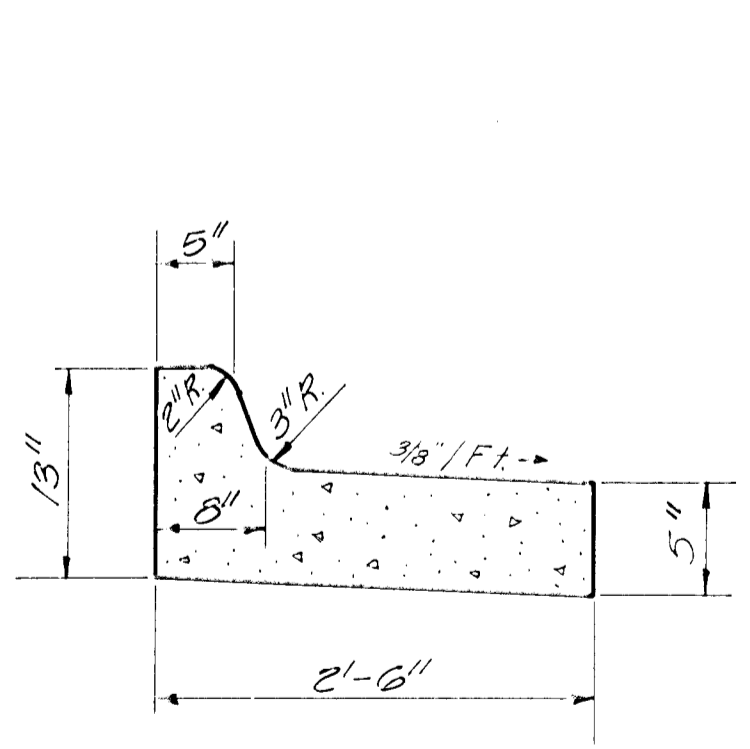
TYPICAL PAVEMENT SECTION



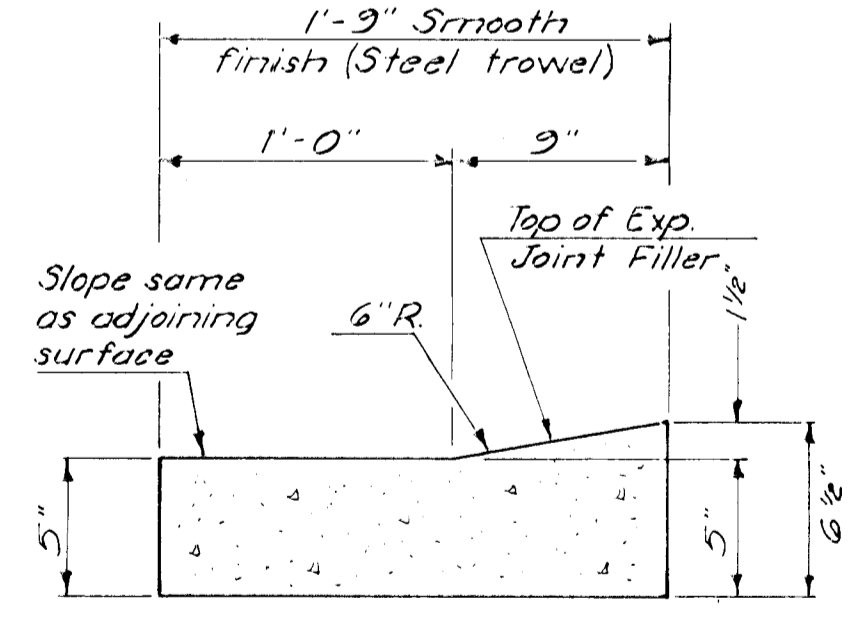
VALLEY GUTTER DETAILS



INLET CONNECTION DETAIL

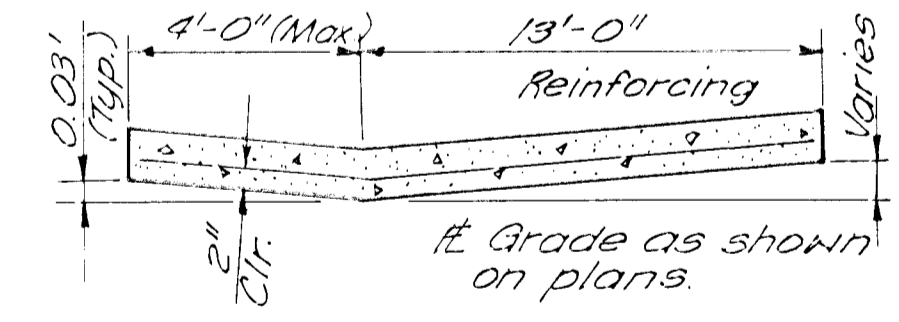


STANDARD COMBINED CURB & GUTTER

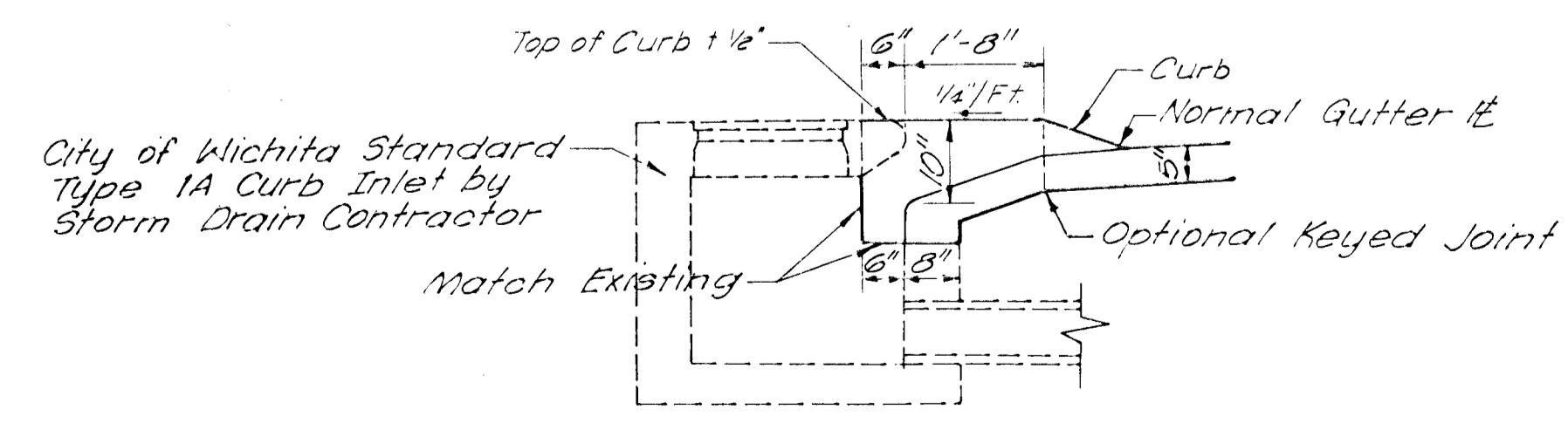


COMBINED CURB & GUTTER (TYPE III) (SPECIAL)

CURB & GUTTER DETAILS



SECTION C-C



SECTION D-D

COUNTRY PLACE GREENS
 PART OF LOT 48
COUNTRY PLACE ESTATES
TYPICAL SECTIONS & STANDARDS
 WICHITA, SEDGWICK COUNTY, KANSAS
PROFESSIONAL ENGINEERING CONSULTANTS, P.A.
 ENGINEERS
 WICHITA, KANSAS

Designed by	Checked by
Drawn by <i>CM</i>	Date <i>5-2-70</i> Job No. <i>77502-3</i>