

Manhattan Construction Company
TRANSMITTAL LETTER

To: *City of Wichita*

Attention: *R.W. Buggeman*

Date: *6-6-83*
 Project: *Farm Credit Bank*
 Address: *PO Box 3756*
Wichita Ks 67201

COPIES	DESCRIPTION
2 ea	<i>Drawings showing support of dual bank & storm line</i>
2 ea	<i>support data</i>

THESE ARE TRANSMITTED AS CHECKED BELOW:

- | | | |
|--|--|--|
| <input type="checkbox"/> For Approval | <input type="checkbox"/> No Corrections Required | <input type="checkbox"/> Return _____ Copies for Distribution |
| <input checked="" type="checkbox"/> For Your Use | <input type="checkbox"/> Corrections Noted | <input type="checkbox"/> Return _____ Copies of Corrected Prints |
| <input type="checkbox"/> For Signature | <input type="checkbox"/> Not Approved | <input type="checkbox"/> Resubmit for Approval |

PLEASE TAKE REQUIRED ACTION AND RETURN

REMARKS: *Please return any advice that you may see that Manhattan needs in maintaining integrity of storm drain*

Respectfully submitted,

Manhattan Construction Company

Robert Monigold Ph-263-7063

RW



Manhattan Construction Company P.O. Box 949 Muskogee, Oklahoma 74401 918/687-7561

June 6, 1983

Duct Bank Data:

Estimated weight of Duct Bank* = 200 #/lf

200 #/lf x 70' = 14,000#

For safety we figure 400 #/lf

400 #/lf x 70' = 28,000#

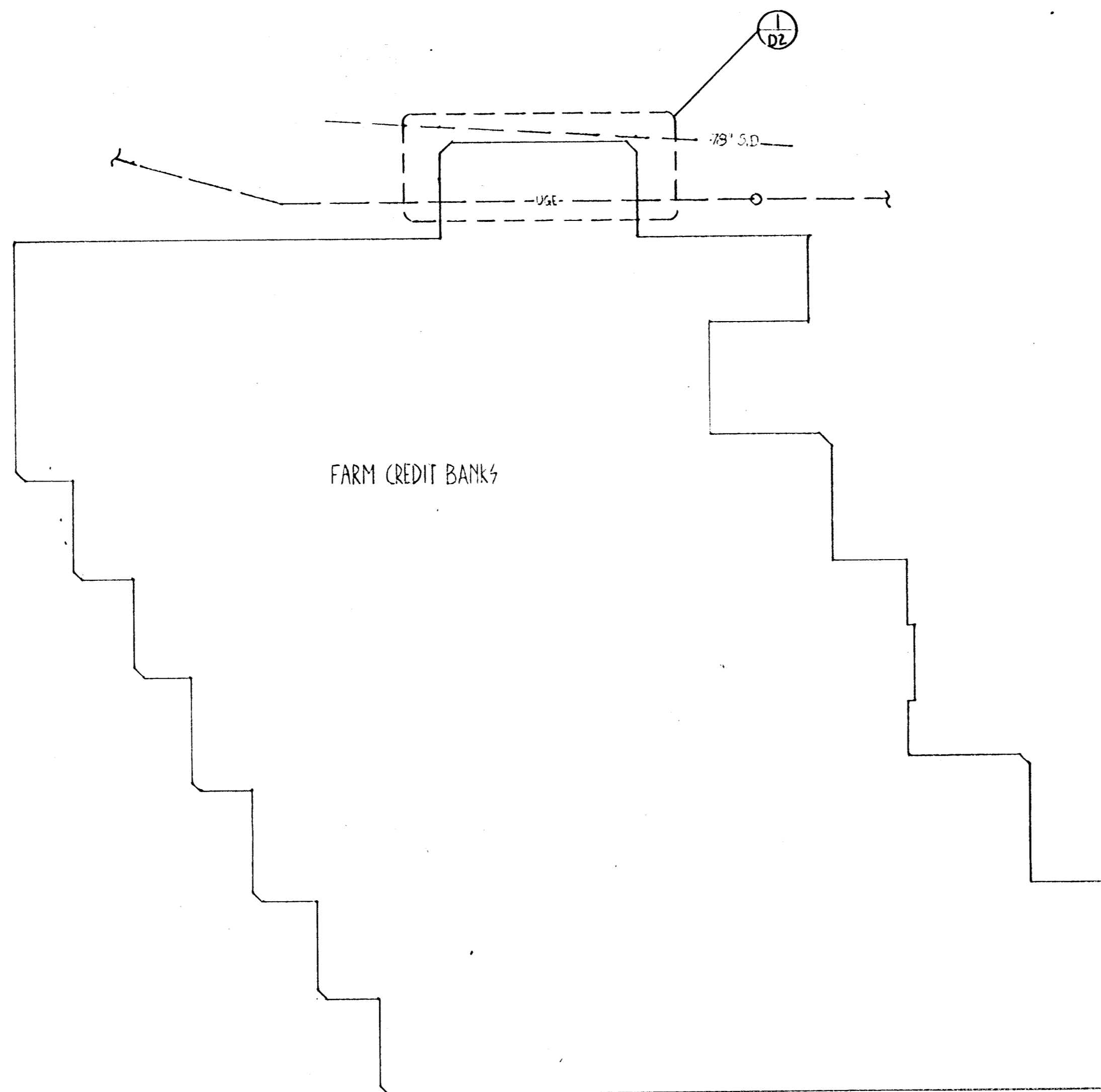
*Estimated weight furnished by Mr. Henry Egle of KG&E.

28,000# - 20 piers = 1400 #/pier

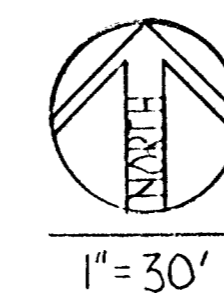
28,000# - 19 double cables = 1474 #/double cable

Upon completion of surrounding Building Construction, Manhattan Construction Company will use compacted backfill to within 18" of duct bank bottom. Then we will pour concrete from backfill to duct bottom and complete backfill process. All supporting devices will remain in place.



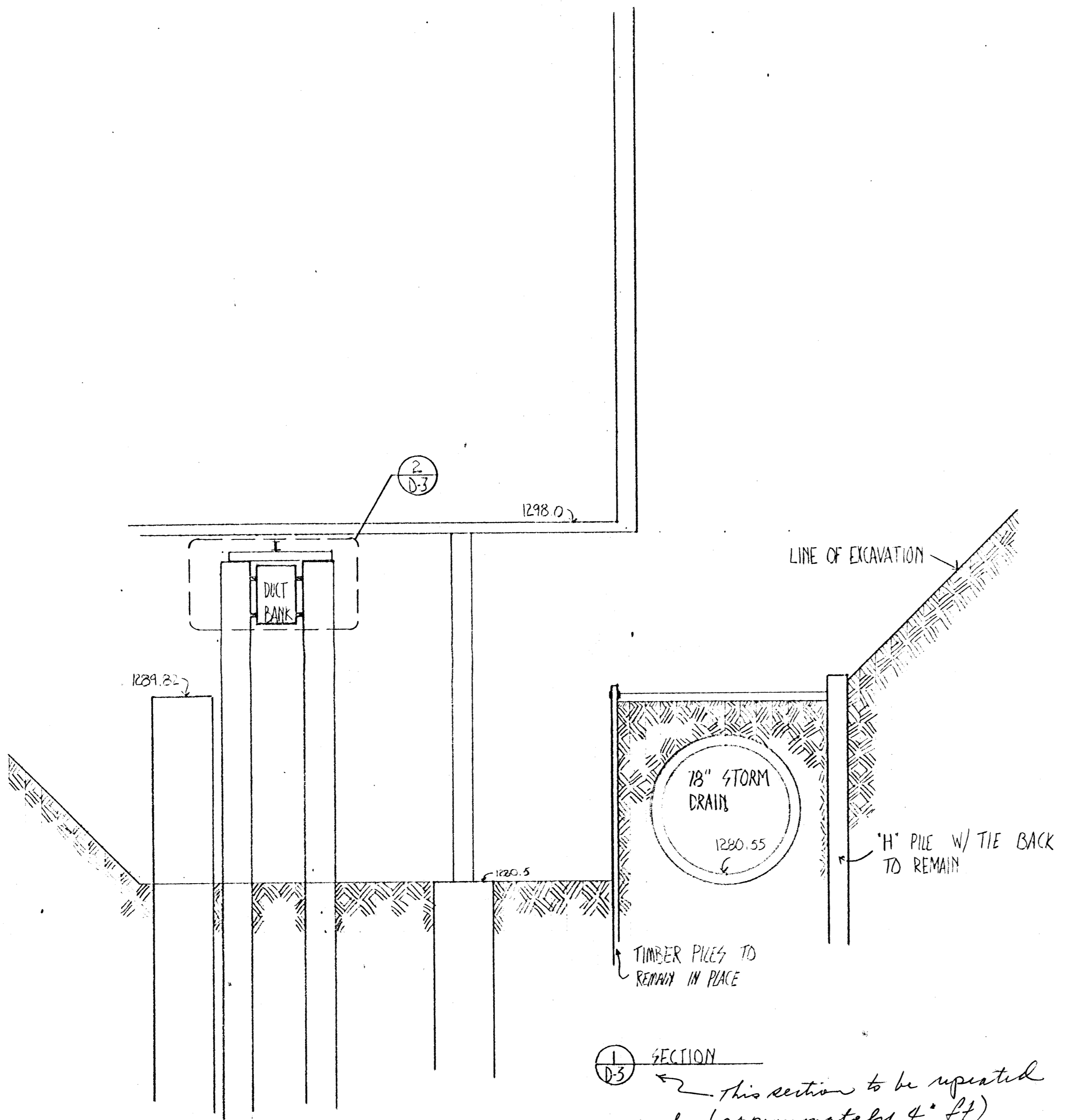


FARM CREDIT BANKS

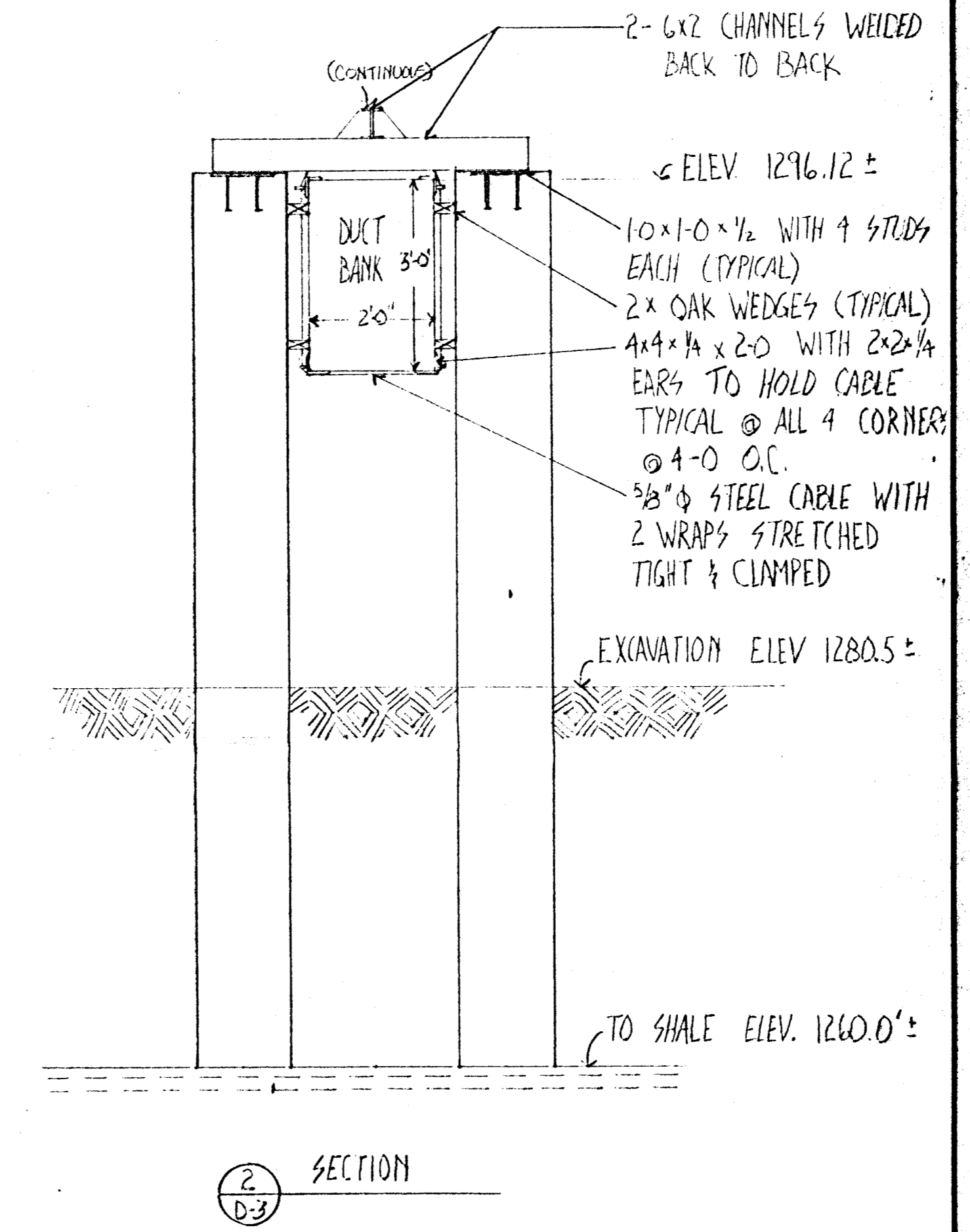


PARTIAL SITE PLAN

REVISIONS	FARM CREDIT BANKS OF WICHITA, KS.	
	MANHATTAN CONSTRUCTION CO.	
	JOB # 1989	D-1



SECTION 1
 D-3
 This section to be repeated
 each (approximately 4' ft)



REVISIONS		FARM CREDIT BANKS OF WICHITA, KS.	
		MANHATTAN CONSTRUCTION CO.	
		JOB #1989	D-3