

NOTES

Compaction of embankments for earth dam and spillway shall be compacted to be greater than 90% of standard density. Moisture content at time of compaction shall be uniform and not lower than 3 PP below optimum moisture content. Concrete for outlet box shall conform to Kansas State Highway specs. for Class A concrete. Reint. steel and construction methods shall conform to State Highway specs. for concrete structures.

Seed spillway with K-31 fescue grass.

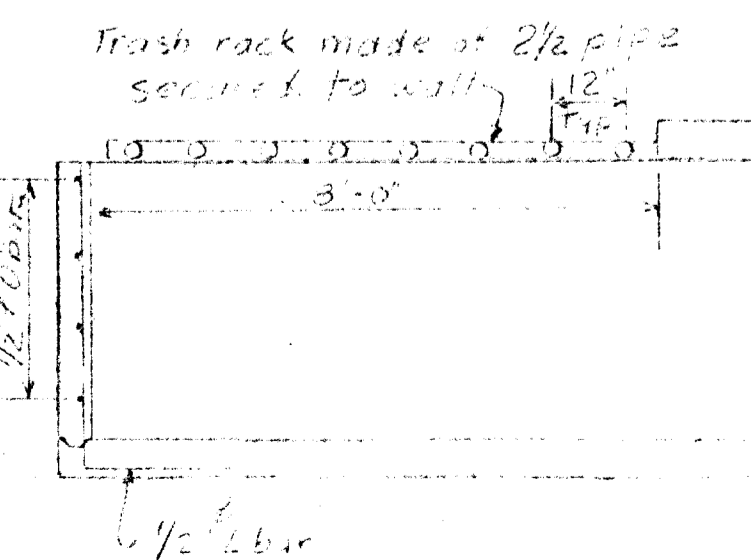
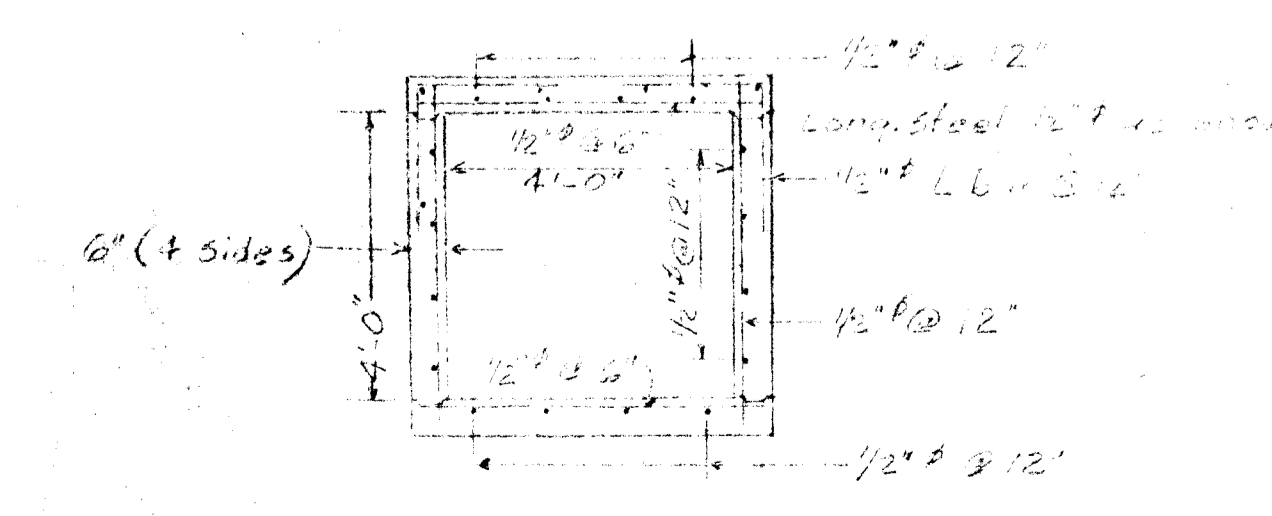
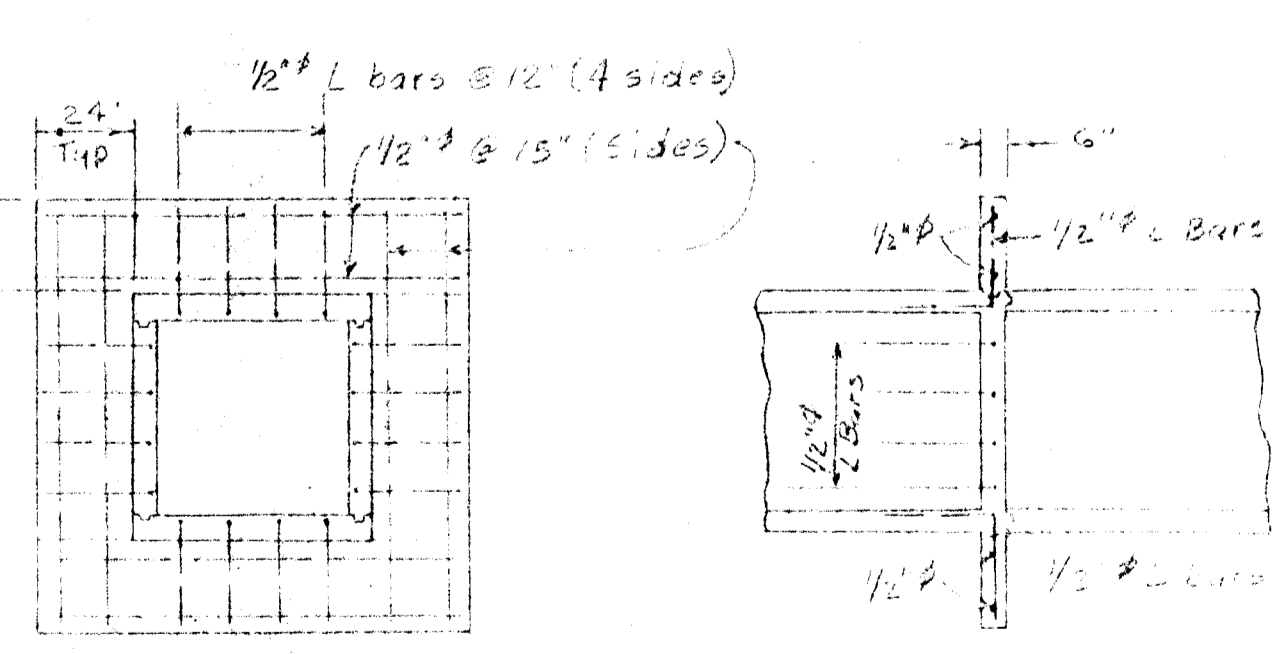
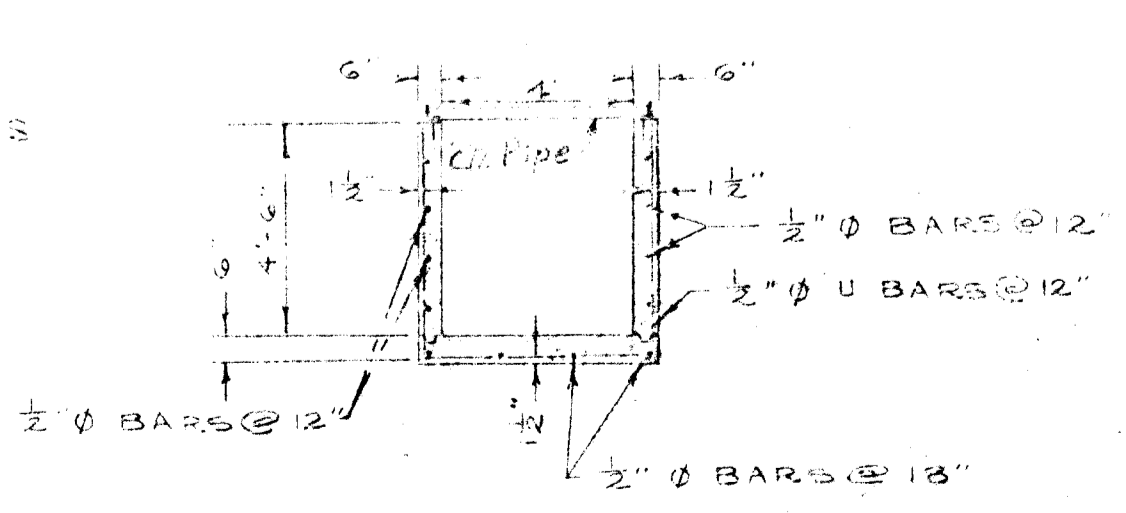
The fill areas for earth dam and spillway embankments shall be cleared of all vegetation and debris. Scarify fill areas to blend with embankment.

Embankment material for earth dam + spillway shall be free from vegetation and debris.

Fill material for all of dam and spillway embankments shall consist of selected CL material as designated in boring log.

Estimated quantities:
 Embankment 1,000 CY
 Spillway 12,000 CY
 Outlet Box Concrete 500 CY
 Reinforcement 7,000 LB.

B.M. ELEV 1313.13 - 10' ON EAST HUBGUARD OF R.C.B.C. 150' NORTH N.W. COR. N.W. 1/4 SEC. 24-27-2W.



EARTHFILL DAM IN THE N.W. 1/4 SEC. 24-27-2W.

FOR: L.V. BELL

K.C. TAYLOR, P.E.
 AUG. 1971
 REVISED JAN. 23, 1972.



NO.	DATE	BY	CHKD.