

LEFT EMBANKMENT - SECTION C-C  
1"=10'

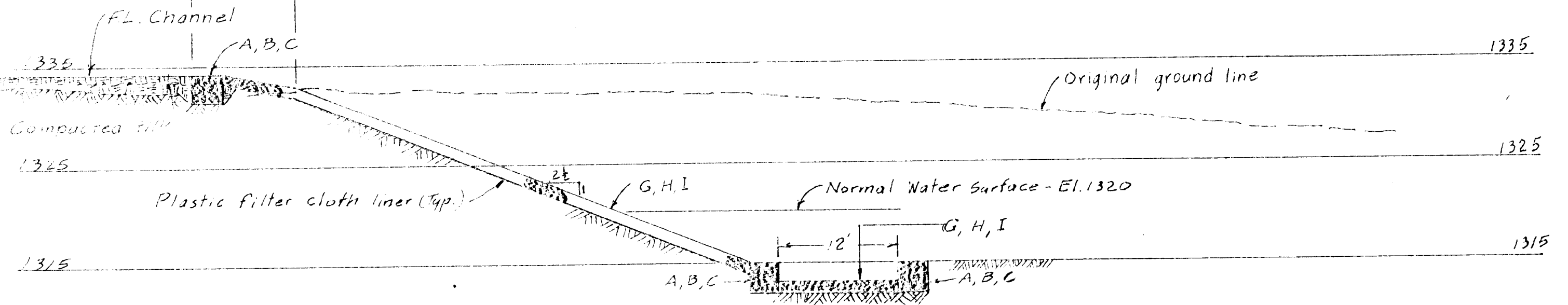
**NOTES**

The letters A, B, C, G, H, I, S, T, U as shown on the the plans indicate the width and height of gabions or gabion mattress as shown in the accompanying table. Combinations of the various lengths may be used.

All gabions or gabion mattress shall have a nonwoven plastic filter cloth liner between the gabions or gabion mattress and the ground.

If the owner desires, a layer of soil may be spread over the gabions and planted to grass.

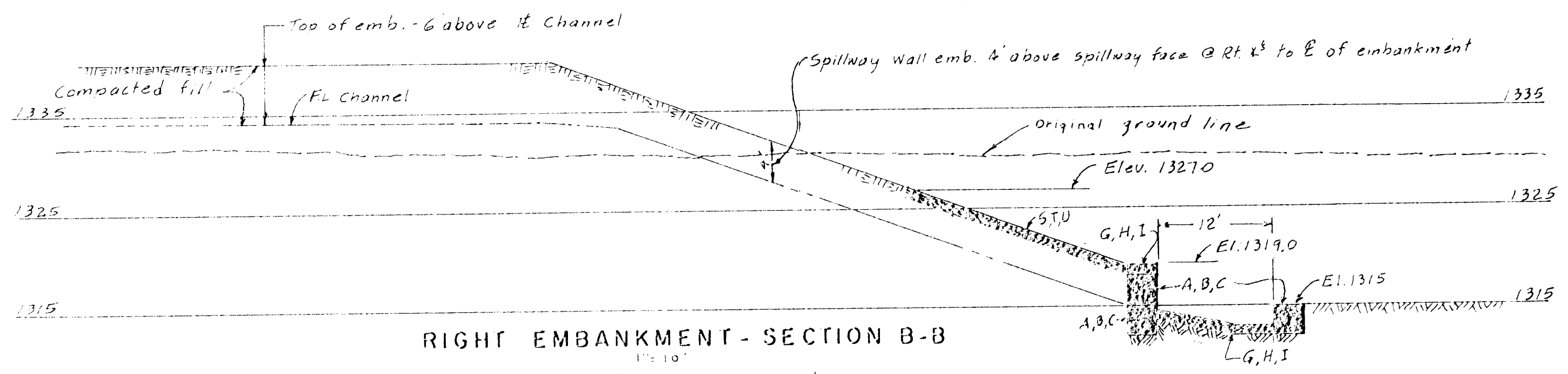
SPILLWAY PLAN  
1"=50'



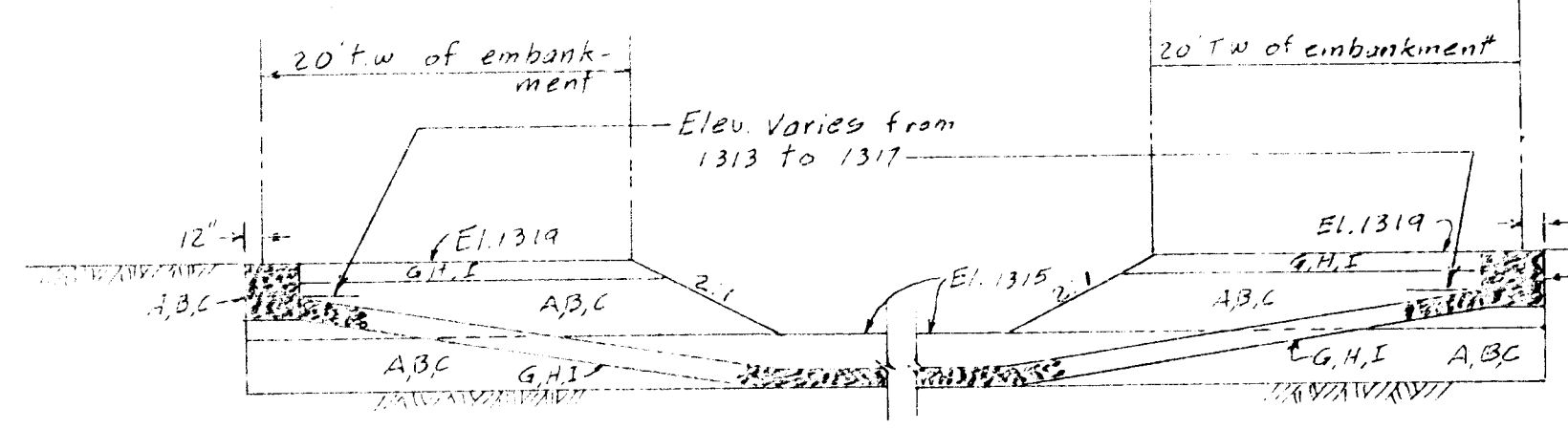
SPILLWAY SECTION A-A  
1"=10'

GABIONS STANDARD SIZES					
Letter Code	Length	Width	Height	Number of Cells	Capacity Cubic Yards
A	6'	3'	3'	2	2.0
B	9'	3'	3'	3	3.0
C	12'	3'	3'	4	4.0
D	6'	3'	1'6"	2	1.0
E	9'	3'	1'6"	3	1.5
F	12'	3'	1'6"	4	2.0
G	6'	3'	1'	2	0.66
H	9'	3'	1'	3	1.0
I	12'	3'	1'	4	1.33

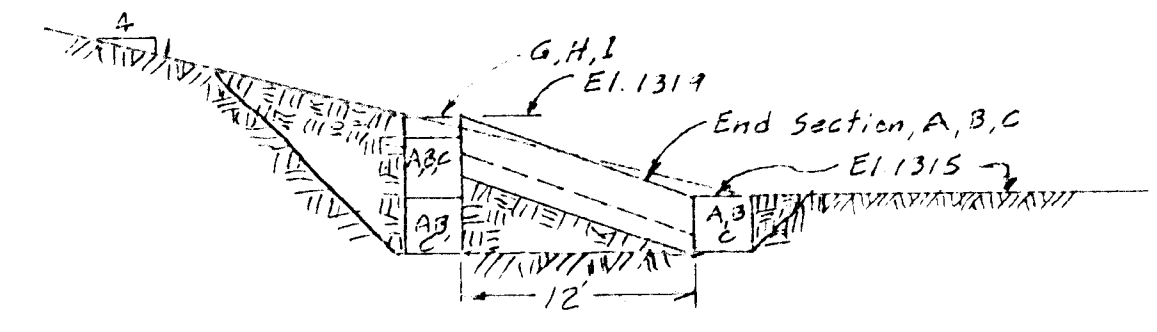
GABION MATTRESS - 9" THICK						
Letter Code	Mesh Opening	Length	Width	No. of Comp'ts.	Area Covered	Capacity Cubic Yards
S	2" x 2 3/4"	8'	6'6"	4	52 sq. ft.	1.44
T	2" x 2 3/4"	10'	6'6"	5	65 sq. ft.	1.80
U	2" x 2 3/4"	12'	6'6"	6	78 sq. ft.	2.16



RIGHT EMBANKMENT - SECTION B-B  
1"=10'



SECTION D-D  
1"=10'



SECTION E-E  
1"=10'

**SPILLWAY DETAILS**

LAKE IN THE SW 1/4 OF  
SECTION 24, T27S, R2W,  
SEDGWICK, COUNTY, KANSAS.

FOR:  
RAINBOW LAKES, INC.

K. O. TAYLOR, P.E.  
MARCH 1, 1979