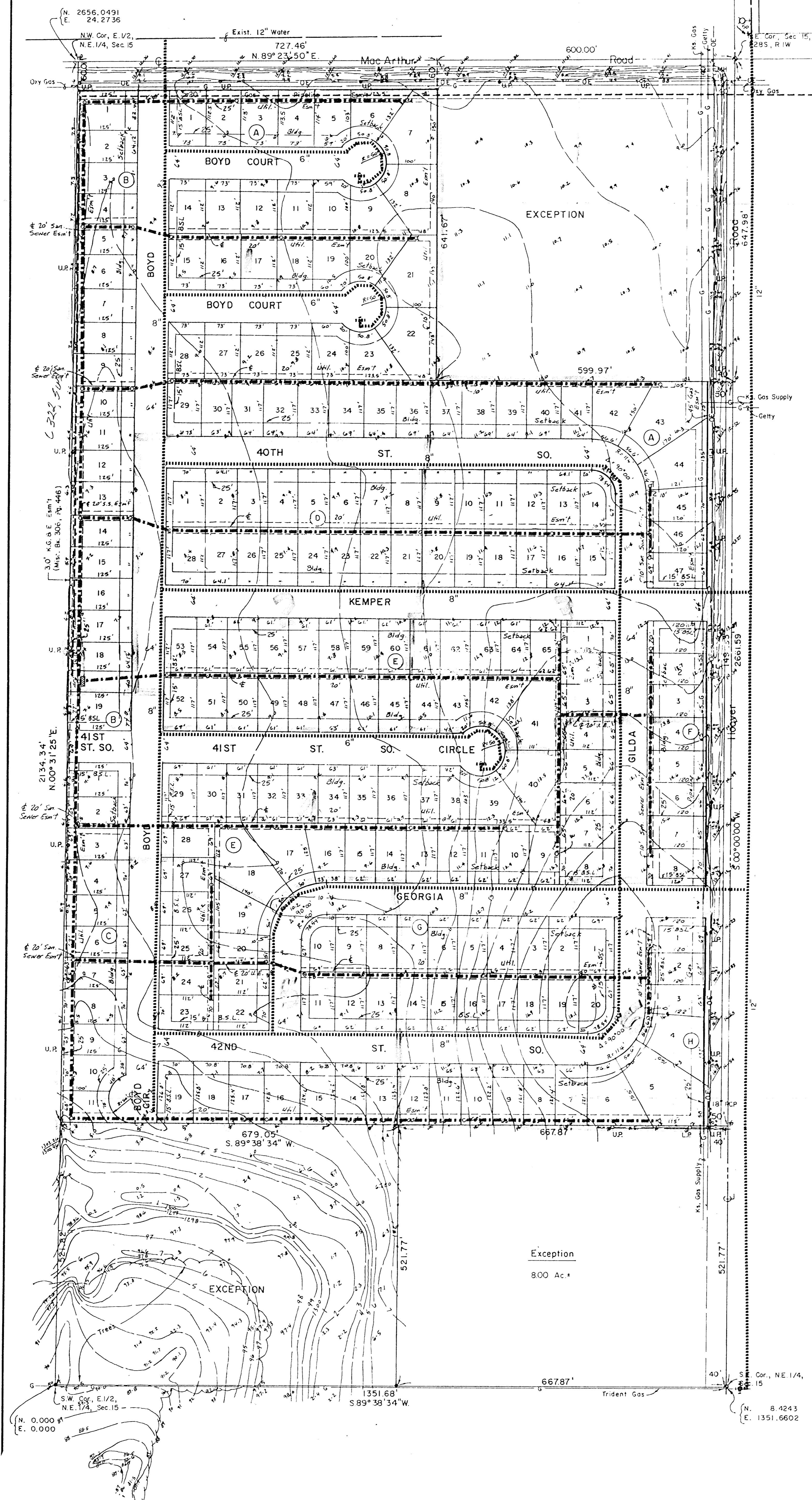
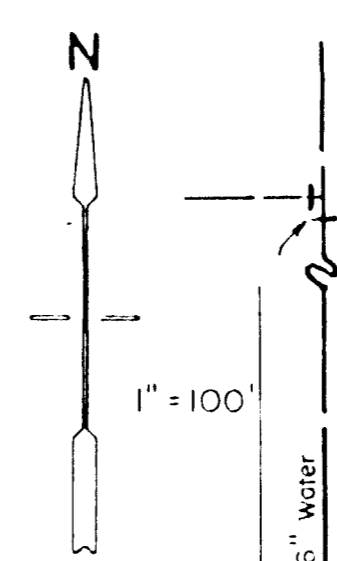


PRELIMINARY PLAT
of
WHEATLAND ADDITION
SEDGWICK CO., KANSAS



SANITARY SEWER

MOHRING & ASSOCIATES
CONSULTING ENGINEERS
WICHITA

**WATER & SEWER
PLAN**